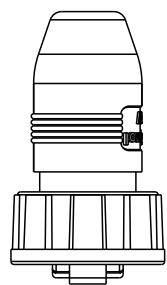


REV.	ECN NO.	DATE	SIGN	DESCRIPTION

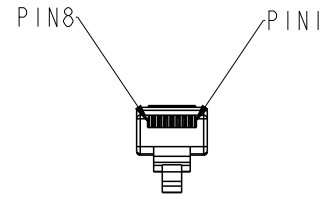
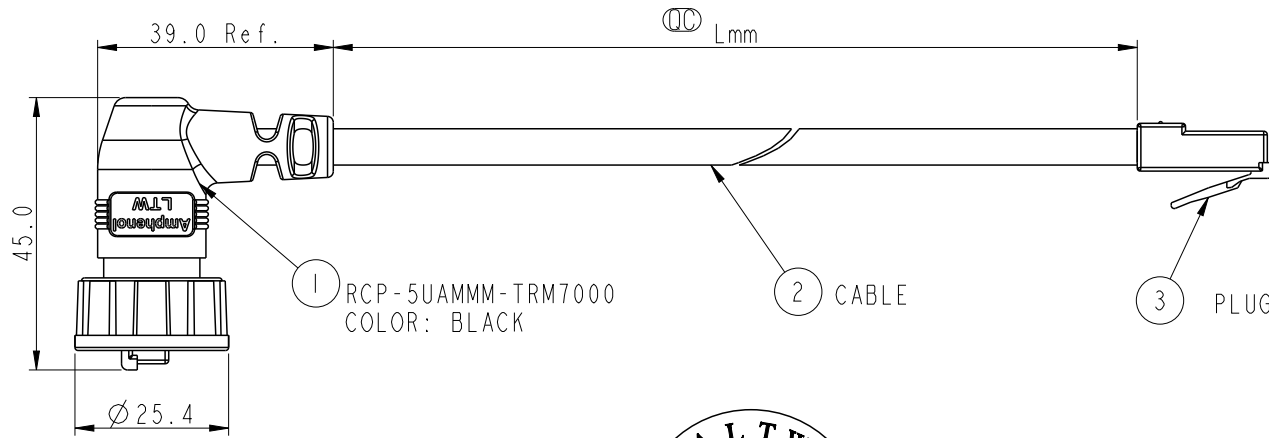
THIS DOCUMENT IS SUBJECT TO CHANGE WITHOUT NOTICE. IT IS CONFIDENTIAL AND A PROPERTY OF Amphenol LTW. DISCLOSURE TO THIRD PARTY HAS TO BE AUTHORIZED BY Amphenol LTW.

F
E
D
C
B
A



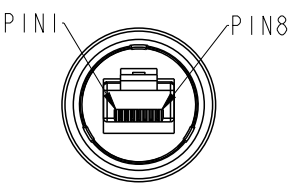
CONN.1

Waterproof Rate: IP67



CONN.2

截面 A-A



A L T W
CONFIDENTIAL
2013-09-24
R&D DEPT.

RCP5UM-UPG06M-TR7A XX
 XX : 01~99Meters
 01 : 01Meter
 02 : 02Meters
 :
 :
 99 : 99Meters

Cable Length(L): 01~99Meters

- Note:
- * \varnothing Important Dimension To Check
 - * Waterproof Rate: IP67 (Mating)
 - * Housing: Nylon+GF, Black
 - * Lock Nut: Nylon+GF, Black
 - * RJ Plug: Unshield, Phosphor Bronze, Gold Plated
 - * Cable: NOUL, CAT5E UTP 24#*4P, OD6.0, Black
 - * Cable Length Tolerance: 01M:±40mm
 02M~05M:±60mm
 11M~30M:±200mm
 31M~99M:±500mm

8	BROWN	棕	8
7	WHITE/BROWN	白/棕	7
6	GREEN	綠	6
5	WHITE/BLUE	白/藍	5
4	BLUE	藍	4
3	WHITE/GREEN	白/綠	3
2	ORANGE	橘	2
1	WHITE/ORANGE	白/橘	1
Conn.1	Wire Color		Conn.2
	PIN OUT		

UNIT:mm		TITLE	RJ DOUBLE-90 ENDED, WITH PLUG 3KEY LOCK	
TOLERANCE .X ±0.5		SCALE	4:5	SIZE A4
		REV.	A	WC-REV. A.3
			\varnothing : Inspection item	

Amphenol LTW
安費諾亮泰企業股份有限公司

ITEM NO	DRAWN BY	DATE
	Raison_liao	2013-09-27
DWG NO	CHECKED BY	DATE
RCP5UM-UPG06M-TR7AXX	Tony	2013-09-27
CUSTOMER	APPROVED BY	DATE
ALTW	VICTOR	2013-09-27

X-ON Electronics

Largest Supplier of Electrical and Electronic Components

Click to view similar products for [Ethernet Cables / Networking Cables](#) category:

Click to view products by [Amphenol](#) manufacturer:

Other Similar products are found below :

[73-6670-7](#) [73-6680-15](#) [73-7797-25](#) [MCJB2-10P6Q7-120](#) [84909-0204](#) [1200700174](#) [1200860368](#) [E16A06002M030](#) [E200102-009-S1](#)
[AX105346-EW](#) [MT14-187L](#) [17-103530](#) [ERWPAB3002M005](#) [190-038045-01](#) [NK5EPC18RDY](#) [NK5EPC18VLY](#) [NK5EPC18YLY](#)
[NK5EPC1GRY](#) [NK5EPC4Y](#) [NK5EPC6YLY](#) [NK5EPC8BLY](#) [NK5EPC9YLY](#) [1969343-6](#) [C501100010](#) [C501106002](#) [C501106007](#)
[C501106015](#) [C501106025](#) [C601102010](#) [C601104010](#) [C601106007](#) [C601106015](#) [2142758-2](#) [2168427-2](#) [CAT1106007](#) [SR02P0-26E5-15.0](#)
[SR02S0-26E5-15.0](#) [21949-1](#) [2J1866A](#) [RJF SFTP 5E 0500](#) [AX100351](#) [MN14CEC/ST](#) [C501100015](#) [C501106004](#) [C501106010](#) [C5F1108007](#)
[C601104004](#) [C601106004](#) [CA21106004](#) [CA21106010](#)