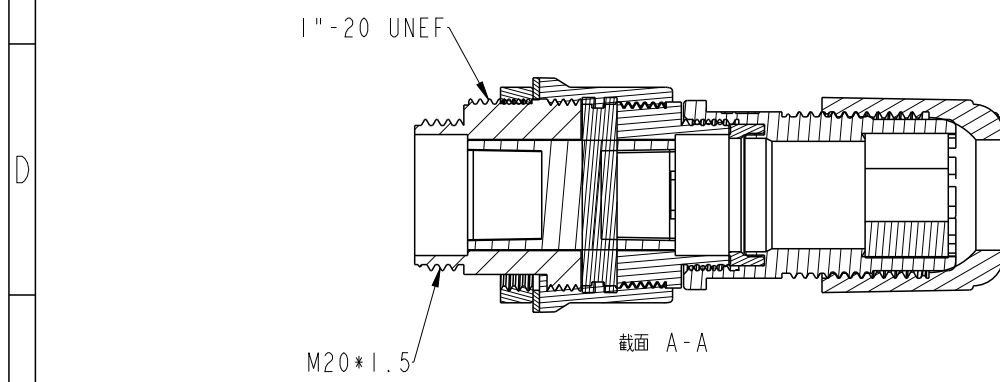
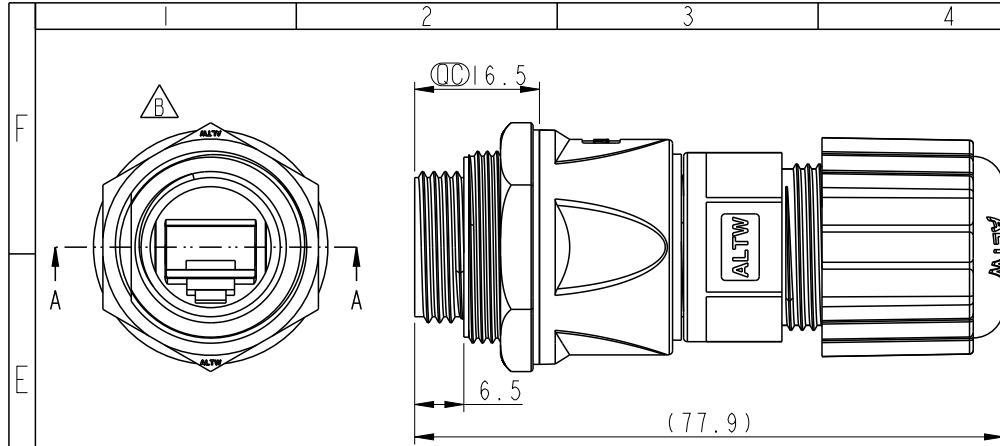
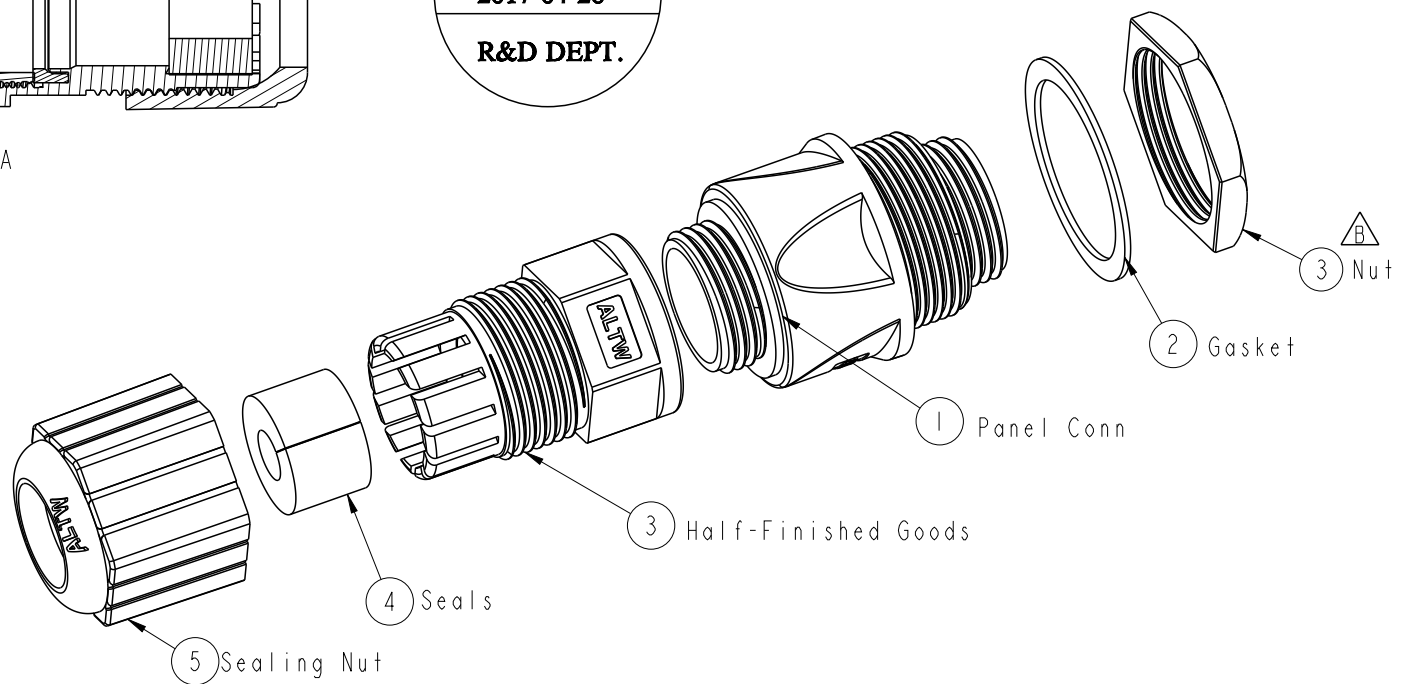
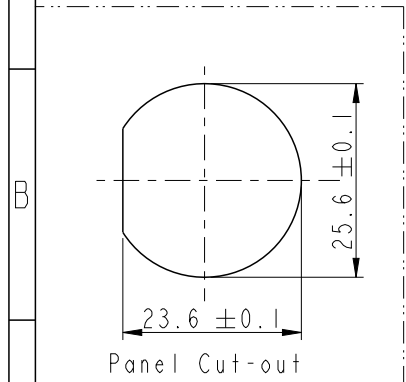


REV.	ECN NO.	DATE	SIGN	DESCRIPTION
B	LEN1741354	2017/04/26	Gaotong	Update Nut Shape

- Note:
- \*  $\varnothing$  Important Dimension To Check
  - \* Waterproof Rate: IP67
  - \* Sealing Nut: Nylon+GF, Black
  - \* Seals: Silicon, Dark Gray.
  - \* Half Finished Goods: Nylon, Black & Silicon, Dark Gray
  - \* Panel Conn: ABS, 94V-0, Black
  - \* Maximum Panel Thickness: 3.5mm
  - \* Cable OD Max: 6.5mm.
  - \* One Set Unassembled In One PE Bag.



**ALTW**  
**CONFIDENTIAL**  
 2017-04-26  
**R&D DEPT.**



UNIT: mm		TITLE			ITEM NO	DRAWN BY	DATE
		RJ45 D SIZE DOUBLE SCREW DOUBLE SIDE ASSY F CONN F PIN			RDP-00DFFA-SLM7001	Gaotong	2017/04/26
TOLERANCE		SCALE	SIZE	SHEET	DWG NO	CHECKED BY	DATE
.X ±0.25		1:1	A4	1 OF 1	RDP-00DFFA-SLM7001	Kris	2017/04/26
.XX ±0.1		REV.	WC-REV.		CUSTOMER	APPROVED BY	DATE
.XXX ±0.05		B	A.13		ALTW	Max	2017/04/26
ANGLES ±1°		Inspection item			<b>Amphenol LTW</b> <b>安費諾亮泰企業股份有限公司</b>		

THIS DOCUMENT IS SUBJECT TO CHANGE WITHOUT NOTICE. IT IS CONFIDENTIAL AND A PROPERTY OF Amphenol LTW. DISCLOSURE TO THIRD PARTY HAS TO BE AUTHORIZED BY Amphenol LTW.

## X-ON Electronics

Largest Supplier of Electrical and Electronic Components

*Click to view similar products for [Modular Connectors](#) / [Ethernet Connectors](#) category:*

*Click to view products by [Amphenol](#) manufacturer:*

Other Similar products are found below :

[8949-H88/06BLKA/SN](#) [74441-0010/BKN](#) [MP1010RX-1000](#) [MP44RX-1000](#) [PHJ-4P4C-1-V-4](#) [PHP-6P6C-5](#) [GAX-3-66](#) [GAX-8-62](#) [GDCX-PA-66-50](#) [GDCX-PN-64](#) [GDCX-PN-66](#) [GDCX-PN-66-50](#) [GDLX-A-66](#) [GDLX-N-66](#) [GDLX-S-66](#) [GDLX-S-88K](#) [GDTX-S-88-50](#) [GDX-PA-1010](#) [GLX-N-1010M-BLK](#) [GLX-S-88M-BLK](#) [GMX-N-1010](#) [GMX-S-1010](#) [GMX-S-66](#) [GMX-SMT4-N-88](#) [GPX-2-64](#) [GSGX-N-2-88](#) [GSGX-N-4-88](#) [GSX-NS2-88-3.05](#) [GSX-NS2-88-3.05-50](#) [GSX-NS-88-3.68](#) [PT-108A-8C-UL](#) [PT-J951-8C](#) [PTS-J531-8CS-50UL](#) [1-1775629-2](#) [A-2014-0-4](#) [GWLX-S-88-GR](#) [GWLX-S9-88-YG](#) [DC-1021-8-WH-6](#) [1300530003](#) [1324640-4](#) [RJ11FTVC2G](#) [RJ11FTVC2N](#) [RJFTVX2SA1G](#) [132764-001](#) [1413235](#) [MP88X-1000](#) [MPS88RX-5000](#) [MRJR-5481-0F2](#) [E5288-S000K3-L](#) [E5908-15A242-L](#)