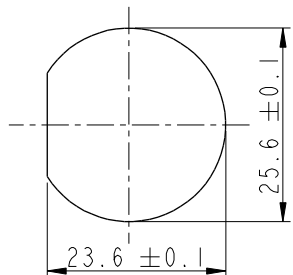
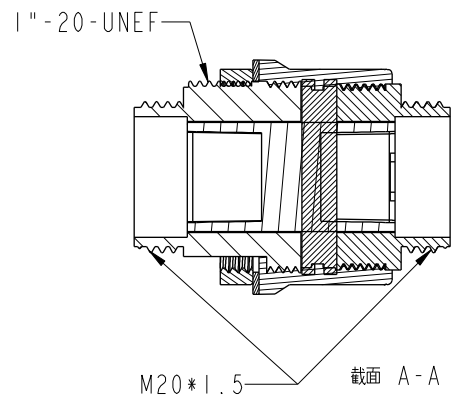
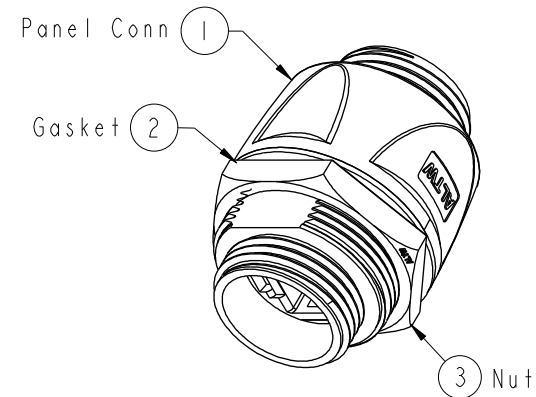
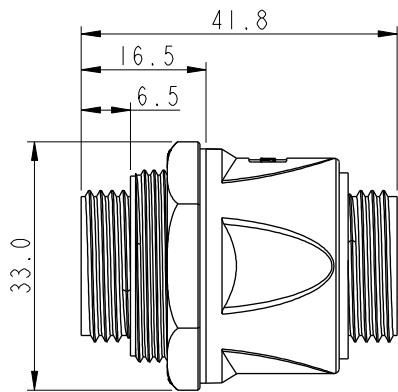
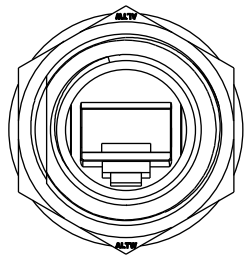
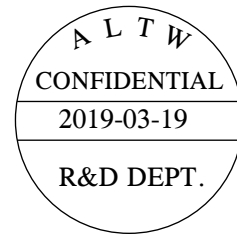


REV.	ECN NO.	DATE	SIGN	DESCRIPTION
B	LEN14A0093	2014/10/08	Jinhai	Delete CAP-WBGFSPCI
C	CI90405	2019/03/19	Ruru	Modify Note



Panel Cut-out



- Note: \triangle
- * $\text{\textcircled{C}}$ Important Dimension To Check
 - * Waterproof Rate: IP67, Unmated
 - * Panel Conn: Thermoplastic, Black
 - * Use With Waterproof Cap Maximum Panel Thickness: 3.5mm
 - * One Set Unassembled In One PE Bag

UNIT: mm		
TOLERANCE	.X ±0.25	
.XX	±0.1	
.XXX	±0.05	
ANGLES	±1°	

TITLE RJ45 D SIZE DOUBLE SCREW PANEL F CONN F PIN			
SCALE	SIZE	SHEET	OF
1:1	A4	1	1
REV.	WC-REV.	$\text{\textcircled{C}}$: Inspection item	
C	A.9		

Amphenol LTW
安費諾亮泰企業股份有限公司

ITEM NO.	RDP-00PFFH-SCU7001	DRAWN BY	Ruru	DATE	2019-03-19
DWG NO.	RDP-00PFFH-SCU7001	CHECKED BY	Rita	DATE	2019-03-19
CUSTOMER	ALTW	APPROVED BY	Max	DATE	2019-03-19

THIS DOCUMENT IS SUBJECT TO CHANGE WITHOUT NOTICE. IT IS CONFIDENTIAL AND A PROPERTY OF Amphenol LTW. DISCLOSURE TO THIRD PARTY HAS TO BE AUTHORIZED BY Amphenol LTW.

X-ON Electronics

Largest Supplier of Electrical and Electronic Components

Click to view similar products for [Modular Connectors](#) / [Ethernet Connectors](#) category:

Click to view products by [Amphenol](#) manufacturer:

Other Similar products are found below :

[RJE231881317T](#) [MP1010RX-1000](#) [MP44RX-1000](#) [GAX-3-66](#) [GAX-8-62](#) [93606-0253](#) [GD-A-44](#) [GDCX-PA-66-50](#) [GDCX-PN-64](#) [GDCX-PN-66](#) [GDCX-PN-66-50](#) [GDLX-A-66](#) [GDLX-A-88](#) [GDLX-N-66](#) [GDLX-S-88K](#) [GDTX-S-88-50](#) [GDX-PA-1010](#) [GLX-N-1010M-BLK](#) [GLX-N-44M](#) [GLX-S-88M-BLK](#) [GMX-N-1010](#) [GMX-S-1010](#) [GMX-S-66](#) [GMX-SMT2-N-1010](#) [GMX-SMT2-N-64-50](#) [GMX-SMT2-S6-88](#) [GMX-SMT4-N-88](#) [GPX-2-64](#) [GRT1-BT1-5](#) [GSGX-N-2-88](#) [GSX-NS2-88-3.05](#) [GSX-NS2-88-3.05-50](#) [GSX-NS-88-3.05-30](#) [GSX-NS-88-3.05-50](#) [GSX-NS-88-3.68](#) [1-1775629-2](#) [GWLX-S-88-GR](#) [GWLX-S9-88-YG](#) [1300500326](#) [1300500227](#) [1300530003](#) [1300570002](#) [1324640-4](#) [RJ11FTVC2G](#) [RJ11FTVC2N](#) [RJFTVX2SA1G](#) [132764-001](#) [1400000](#) [1413235](#) [MP88X-1000](#)