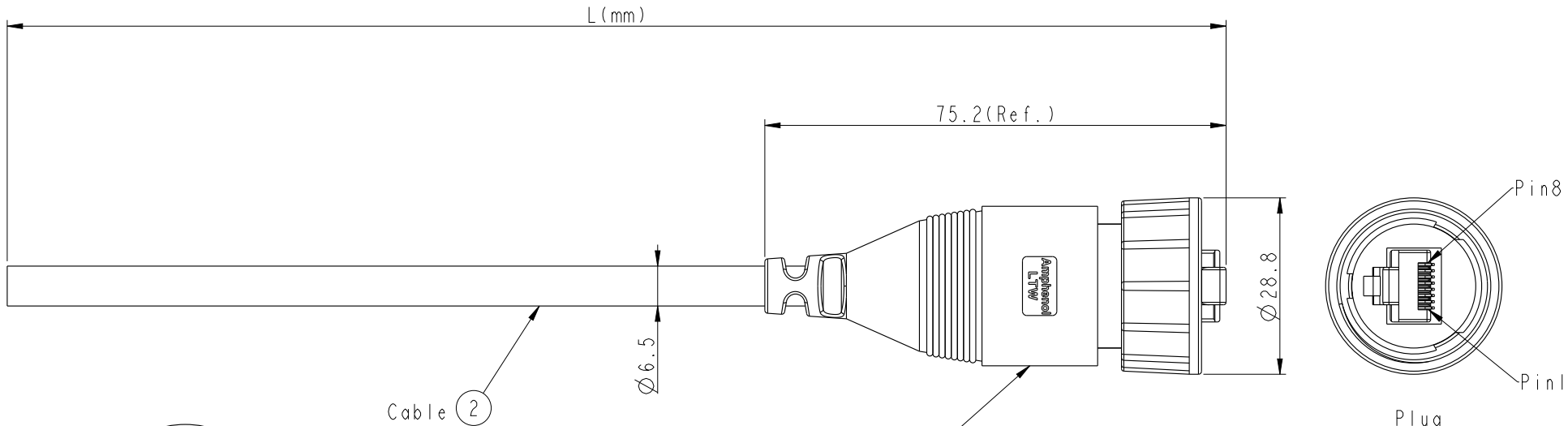


THIS DOCUMENT IS SUBJECT TO CHANGE WITHOUT NOTICE. IT IS CONFIDENTIAL AND A PROPERTY OF Amphenol LTW. DISCLOSURE TO THIRD PARTY HAS TO BE AUTHORIZED BY Amphenol LTW.

REV.	ECN NO.	DATE	SIGN	DESCRIPTION
B	LEN1440195	2014/05/10	Tom	Updated The Note
C	LEN1490327	2014-09-01	Tom	Change 94V0 Material



ALTW
CONFIDENTIAL
2014-09-01
R&D DEPT.

RDP-5SAMMM-SLM7000
 Color: Black

RDP-5SAMMM-SLM7BXX

XX: 01~99Meter
 01: 01Meter
 02: 02Meters
 :
 :
 99: 99Meters
 Cable Length(L):01~99Meters

Note:
 * (C) Important Dimention To Check.
 * Waterproof Rate: IP67
 * Plug: PC, Gold Plated
 * Screw Nut: Nylon+GF, Black
 * Gasket: Silicone, Gray
 * Cable: CAT5E FTP, OD : $\varnothing 6.5$ Black
 * Cable Length Tolerance: 01M: ± 40 mm
 02~05M: ± 60 mm
 06~10M: ± 100 mm
 11~30M: ± 200 mm
 30~99M: ± 500 mm

Drain Wire	接地	Shield	
Brown	棕	8	Twist 對絞
White/Brown	白/棕	7	
Green	綠	6	Twist 對絞
White/Blue	白/藍	5	
Blue	藍	4	Twist 對絞
White/Green	白/綠	3	
Orange	橘	2	Twist 對絞
White/Orange	白/橘	1	
Wire Color		Plug	
Pin Out			

X:
 (B)CAT5E FTP

UNIT:mm		TITLE RJ D SIZE CABLE		ITEM NO		DRAWN BY Tom		DATE 2014-09-01	
TOLERANCE ± 0.5		SCALE 1:1	SIZE A4	SHEET 1 OF 1		CHECKED BY Jerry		DATE 2014-09-01	
		REV. C	WC-REV. A.14	QC: Inspection item		CUSTOMER ALTW		APPROVED BY Vactor	
				Amphenol LTW 安費諾亮泰企業股份有限公司				DATE 2014-09-01	

X-ON Electronics

Largest Supplier of Electrical and Electronic Components

Click to view similar products for [Ethernet Cables / Networking Cables](#) category:

Click to view products by [Amphenol](#) manufacturer:

Other Similar products are found below :

[73-6670-7](#) [73-6680-15](#) [73-7797-25](#) [MCJB2-10P6Q7-120](#) [84909-0204](#) [1200700174](#) [1200860368](#) [E16A06002M030](#) [E200102-009-S1](#)
[AX105346-EW](#) [MT14-187L](#) [17-103530](#) [ERWPAB3002M005](#) [190-038045-01](#) [NK5EPC18RDY](#) [NK5EPC18VLY](#) [NK5EPC18YLY](#)
[NK5EPC1GRY](#) [NK5EPC4Y](#) [NK5EPC6YLY](#) [NK5EPC8BLY](#) [NK5EPC9YLY](#) [1969343-6](#) [C501100010](#) [C501106002](#) [C501106007](#)
[C501106015](#) [C501106025](#) [C601102010](#) [C601104010](#) [C601106007](#) [C601106015](#) [2142758-2](#) [2168427-2](#) [CAT1106007](#) [SR02P0-26E5-15.0](#)
[SR02S0-26E5-15.0](#) [21949-1](#) [2J1866A](#) [RJF SFTP 5E 0500](#) [AX100351](#) [MN14CEC/ST](#) [C501100015](#) [C501106004](#) [C501106010](#) [C5F1108007](#)
[C601104004](#) [C601106004](#) [CA21106004](#) [CA21106010](#)