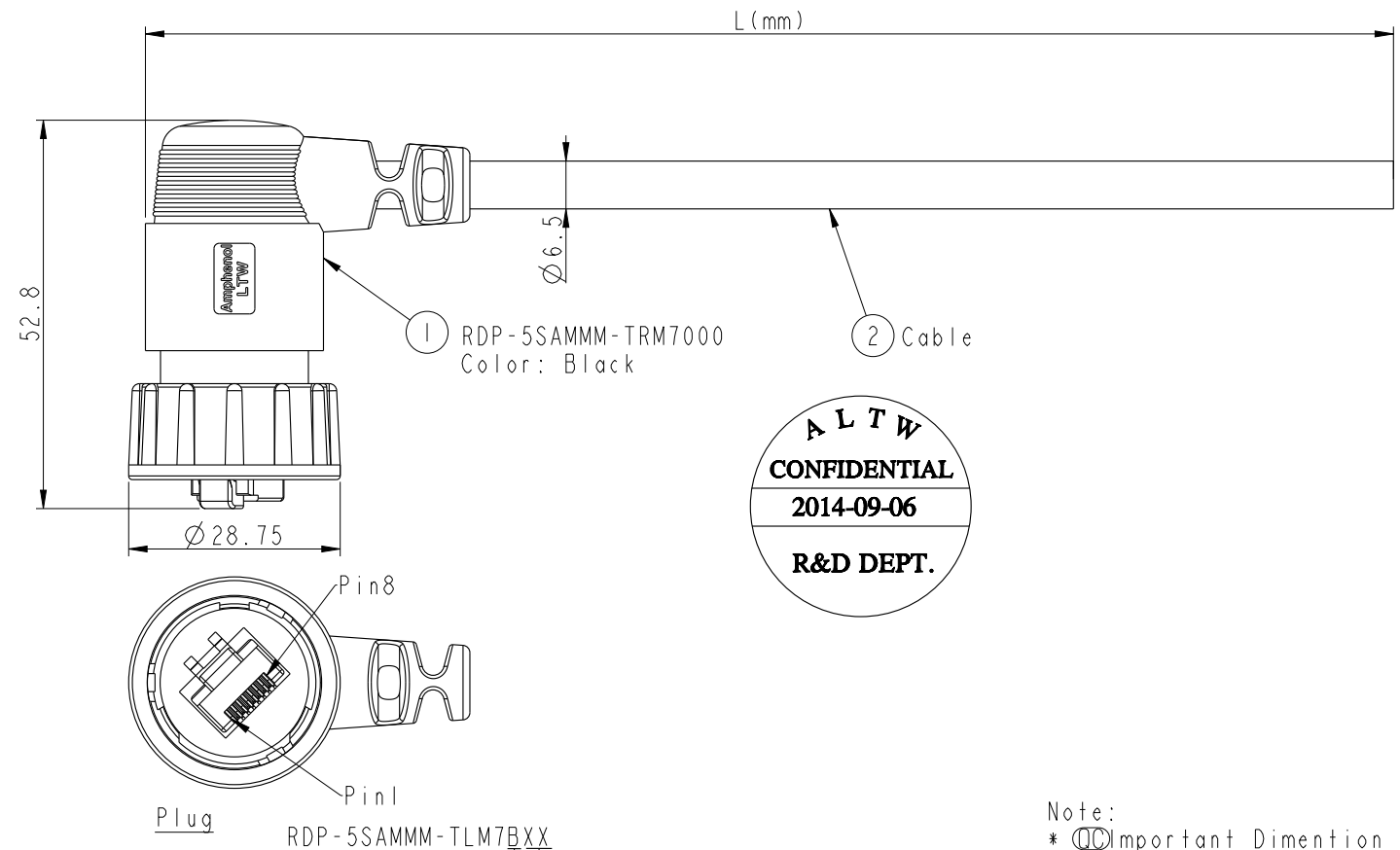


THIS DOCUMENT IS SUBJECT TO CHANGE WITHOUT NOTICE. IT IS CONFIDENTIAL AND A PROPERTY OF Amphenol LTW. DISCLOSURE TO THIRD PARTY HAS TO BE AUTHORIZED BY Amphenol LTW.

REV.	ECN NO.	DATE	SIGN	DESCRIPTION
B	LEN1490330	2014-09-06	Joyy	Change to 94V0 material



Drain Wire	接地	Shield
Brown	棕	8
White/Brown	白/棕	7
Green	綠	6
White/Blue	白/藍	5
Blue	藍	4
White/Green	白/綠	3
Orange	橘	2
White/Orange	白/橘	1
Wire Color		Plug

Twist 對絞  
Twist 對絞  
Twist 對絞

RDP-5SAMMM-TLM7BXX

XX: 01~99Meter  
01: 01Meter  
02: 02Meters  
:  
99: 99Meters  
Cable Length(L):01~99Meters  
X:  
(B)CAT5E FTP

- Note:
- \* Ⓞ Important Dimention To Check.
  - \* Waterproof Rate:IP67
  - \* Plug: PC, Gold Plated
  - \* Lock Nut: Nylon+GF, Black
  - \* Gasket: Silicone,Gray
  - \* Cable: CAT5E FTP,OD:Ø6.5mm, Black
  - \* Cable Length Tolerance: 01M:±40mm  
02~05M:±60mm  
06~10M:±100mm  
11~30M:±200mm  
30~99M:±500mm

UNIT:mm	
TOLERANCE	±0.5

TITLE RJ D SIZE RIGHT ANGEL CABLE			
SCALE 1:1	SIZE A4	SHEET 1 OF 1	
REV. B	WC-REV. A.11	Ⓞ: Inspection item	

**Amphenol LTW**  
安費諾亮泰企業股份有限公司

ITEM NO	DRAWN BY Joyy	DATE 2014-09-06
DWG NO RDP-5SAMMM-TRM7BXX	CHECKED BY Tom	DATE 2014-09-06
CUSTOMER ALTW	APPROVED BY Victor	DATE 2014-09-06

## X-ON Electronics

Largest Supplier of Electrical and Electronic Components

*Click to view similar products for [Modular Connectors](#) / [Ethernet Connectors](#) category:*

*Click to view products by [Amphenol](#) manufacturer:*

Other Similar products are found below :

[8949-H88/06BLKA/SN](#) [74441-0010/BKN](#) [MP1010RX-1000](#) [MP44RX-1000](#) [PHJ-4P4C-1-V-4](#) [PHP-6P6C-5](#) [GAX-3-66](#) [GAX-8-62](#) [GDCX-PA-66-50](#) [GDCX-PN-64](#) [GDCX-PN-66](#) [GDCX-PN-66-50](#) [GDLX-A-66](#) [GDLX-N-66](#) [GDLX-S-66](#) [GDLX-S-88K](#) [GDTX-S-88-50](#) [GDX-PA-1010](#) [GLX-N-1010M-BLK](#) [GLX-S-88M-BLK](#) [GMX-N-1010](#) [GMX-S-1010](#) [GMX-S-66](#) [GMX-SMT4-N-88](#) [GPX-2-64](#) [GSGX-N-2-88](#) [GSGX-N-4-88](#) [GSX-NS2-88-3.05-50](#) [PT-108A-8C-UL](#) [PT-J951-8C](#) [PTS-J531-8CS-50UL](#) [1-1775629-2](#) [A-2014-0-4](#) [GWLX-S-88-GR](#) [GWLX-S9-88-YG](#) [DC-1021-8-WH-6](#) [1300530003](#) [1324640-4](#) [RJ11FTVC2G](#) [RJ11FTVC2N](#) [RJFTVX2SA1G](#) [132764-001](#) [1413235](#) [MP88X-1000](#) [MPS88RX-5000](#) [MRJR-5481-0F2](#) [E5288-S000K3-L](#) [E5908-15A242-L](#) [155302-001](#) [AX100653](#)