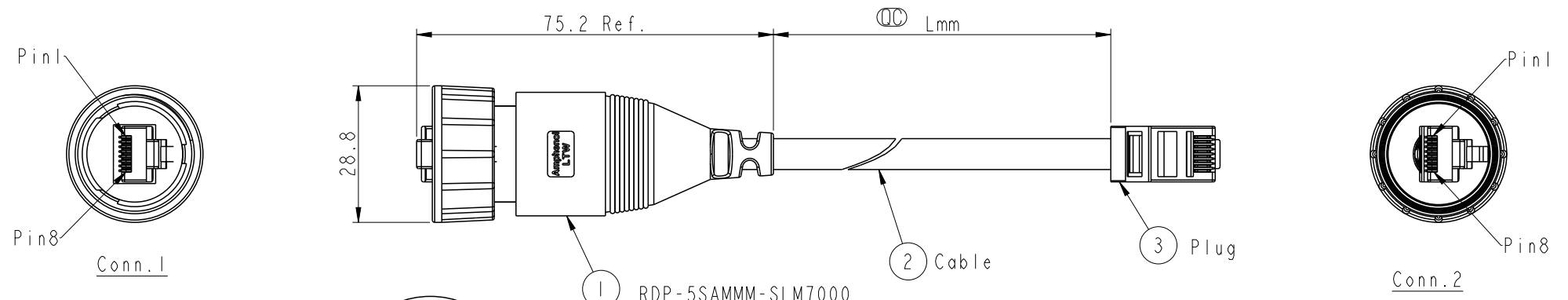
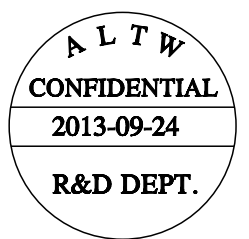


THIS DOCUMENT IS SUBJECT TO CHANGE WITHOUT NOTICE. IT IS CONFIDENTIAL AND A PROPERTY OF Amphenol LTW. DISCLOSURE TO THIRD PARTY HAS TO BE AUTHORIZED BY Amphenol LTW.

REV.	ECN NO.	DATE	SIGN	DESCRIPTION



Waterproof Rate: IP67



1 RDP-5SAMMM-SLM7000
COLOR: BLACK

RDP5SM-SPG06M-SL7B XX
 XX : 01~99Meters
 01 : 01Meter
 02 : 02Meters
 :
 :
 :
 99 : 99Meters
 Cable Length(L):01~99Meters

- Note:
- * (CC) Important Dimension To Check
 - * Waterproof Rate: IP67
 - * Housing: Nylon+GF, Black
 - * Lock Nut: Nylon+GF, Black
 - * RJ Plug: Shield, Phosphor Bronze, Gold Plated
 - * Cable: CAT5E FTP 24#*4P+D+AL/MY, 6.5
 - * Cable Length Tolerance: 01M:±40mm
02M~05M:±60mm
11M~30M:±200mm
31M~99M:±500mm

Shield	Drain Wire	Shield
8	Brown 棕	8
7	White/Brown 白/棕	7
6	Green 綠	6
5	White/Blue 白/藍	5
4	Blue 藍	4
3	White/Green 白/綠	3
2	Orange 橘	2
1	White/Orange 白/橘	1
Conn.1	Wire Color	Conn.2

Pin Out

UNIT:mm TOLERANCE .X ±0.25 .XX ±0.1 .XXX ±0.05 ANGLES ±1°	TITLE RJ DOUBLE-ENDED, WITH PLUG		<h1 style="text-align: center;">Amphenol LTW</h1> <h2 style="text-align: center;">安費諾亮泰企業股份有限公司</h2>		ITEM NO RDP5SM-SPG06M-SL7BXX	DRAWN BY Raison_liao	DATE 2013-07-20
	SCALE 4:5	SIZE A4			SHEET 1 OF 1	CHECKED BY Tony	DATE 2013-07-20
	REV. A	WC-REV. A.1	(CC): Inspection item	CUSTOMER ALTW	APPROVED BY Victor	DATE 2013-07-20	

X-ON Electronics

Largest Supplier of Electrical and Electronic Components

Click to view similar products for [Ethernet Cables / Networking Cables](#) category:

Click to view products by [Amphenol](#) manufacturer:

Other Similar products are found below :

[73-6670-7](#) [73-6680-15](#) [73-7797-25](#) [MCJB2-10P6Q7-120](#) [84909-0204](#) [1200700174](#) [1200860368](#) [E16A06002M030](#) [E200102-009-S1](#)
[AX105346-EW](#) [MT14-187L](#) [17-103530](#) [ERWPAB3002M005](#) [190-038045-01](#) [NK5EPC18RDY](#) [NK5EPC18VLY](#) [NK5EPC18YLY](#)
[NK5EPC1GRY](#) [NK5EPC4Y](#) [NK5EPC6YLY](#) [NK5EPC8BLY](#) [NK5EPC9YLY](#) [1969343-6](#) [C501100010](#) [C501106002](#) [C501106007](#)
[C501106015](#) [C501106025](#) [C601102010](#) [C601104010](#) [C601106007](#) [C601106015](#) [2142758-2](#) [2168427-2](#) [CAT1106007](#) [SR02P0-26E5-15.0](#)
[SR02S0-26E5-15.0](#) [21949-1](#) [2J1866A](#) [RJF SFTP 5E 0500](#) [AX100351](#) [MN14CEC/ST](#) [C501100015](#) [C501106004](#) [C501106010](#) [C5F1108007](#)
[C601104004](#) [C601106004](#) [CA21106004](#) [CA21106010](#)