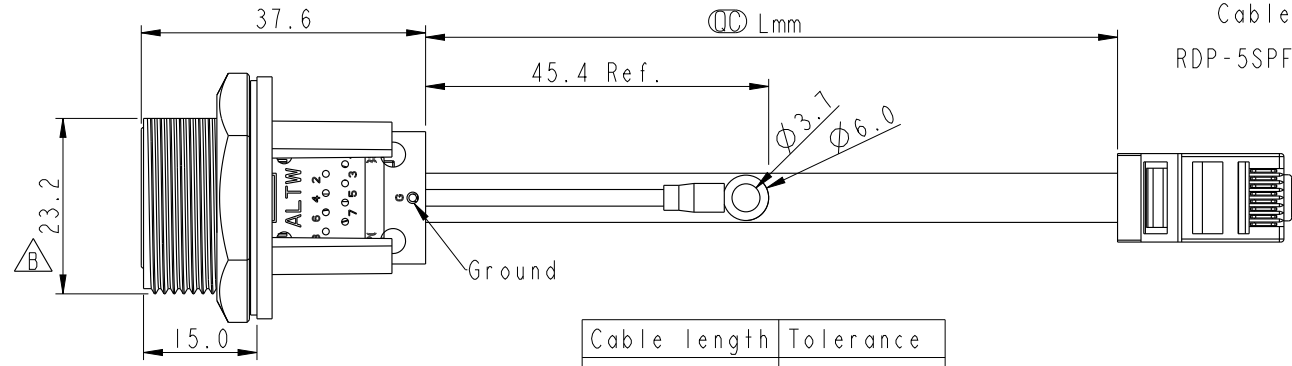
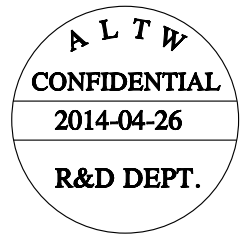
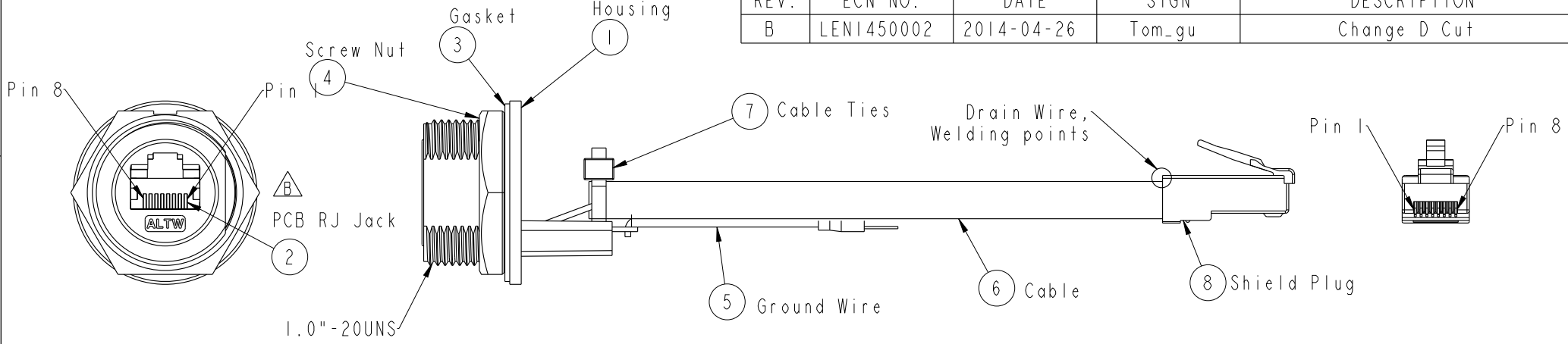


THIS DOCUMENT IS SUBJECT TO CHANGE WITHOUT NOTICE. IT IS CONFIDENTIAL AND A PROPERTY OF Amphenol LTW. DISCLOSURE TO THIRD PARTY HAS TO BE AUTHORIZED BY Amphenol LTW.

REV.	ECN NO.	DATE	SIGN	DESCRIPTION
B	LEN1450002	2014-04-26	Tom_gu	Change D Cut

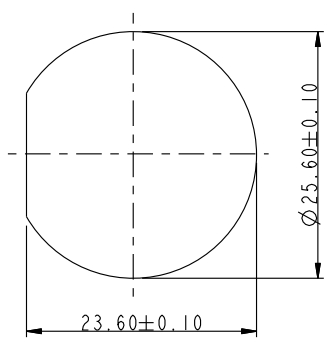


Cable Length(L): 100~1000mm
 RDP-5SPFFG-SCU7BXX
 XX: 100~1000mm
 10: 100mm
 15: 150mm
 20: 200mm
 |
 95: 950mm
 A0: 1000mm

Cable length	Tolerance
0.0~100 mm	±10 mm
101~300 mm	±15 mm
301~1000 mm	±20 mm

- Note:
- * L Important Dimension
 - * Waterproof Rate : IP67, UNMATED WATERPROOF
 - * Housing : Nylon+GF, BLACK
 - * Screw Nut : Nylon+GF, BLACK
 - * Gasket : Silicone, UL 94V-0, Gray.
 - * PCB: FR-4
 - * Cable: CAT5E FTP 24#*4P+D+AL/MY, 6.5
 - * Δ Ground Terminal: Brass, Tin Plated, Thickness: 0.4mm
 - * Jack : PBT Polyester UL 94V-0
 - * Panel Thickness Max: 3.0mm
 - * Screw torsion value range: 8~15kgf-cm

Pin	Wire Color	Plug
8	Brown	棕
7	White/Brown	白/棕
6	Green	綠
5	White/Blue	白/藍
4	Blue	藍
3	White/Green	白/綠
2	Orange	橘
1	White/Orange	白/橘
Jack	Wire Color	Plug
	Pin Out	



UNIT: mm

TOLERANCE	
.X	±0.25
.XX	±0.1
.XXX	±0.05
ANGLES	±1°

TITLE: RJ45, D SIZE, UNMATED WATERPROOF ADD GROUND WIRE

SCALE	1:1	SIZE	A4	SHEET	1	OF	1
REV.	B	WC-REV.	A.6	L : Inspection item			

Amphenol LTW
 安費諾亮泰企業股份有限公司

ITEM NO.	DRAWN BY	DATE
	Tom_gu	2014-04-26
DWG NO.	CHECKED BY	DATE
RDP-5SPFFG-SCU7BXX	Tony	2014-04-26
CUSTOMER	APPROVED BY	DATE
ALTW	Victor	2014-04-26

X-ON Electronics

Largest Supplier of Electrical and Electronic Components

Click to view similar products for [Ethernet Cables / Networking Cables](#) category:

Click to view products by [Amphenol](#) manufacturer:

Other Similar products are found below :

[73-6670-7](#) [73-6680-15](#) [73-7797-25](#) [MCJB2-10P6Q7-120](#) [84909-0204](#) [1200700174](#) [1200860368](#) [E16A06002M030](#) [E200102-009-S1](#)
[AX105346-EW](#) [MT14-187L](#) [17-103530](#) [ERWPAB3002M005](#) [190-038045-01](#) [NK5EPC18RDY](#) [NK5EPC18VLY](#) [NK5EPC18YLY](#)
[NK5EPC1GRY](#) [NK5EPC4Y](#) [NK5EPC6YLY](#) [NK5EPC8BLY](#) [NK5EPC9YLY](#) [1969343-6](#) [C501100010](#) [C501106002](#) [C501106007](#)
[C501106015](#) [C501106025](#) [C601102010](#) [C601104010](#) [C601106007](#) [C601106015](#) [2142758-2](#) [2168427-2](#) [CAT1106007](#) [SR02P0-26E5-15.0](#)
[SR02S0-26E5-15.0](#) [21949-1](#) [2J1866A](#) [RJF SFTP 5E 0500](#) [AX100351](#) [MN14CEC/ST](#) [C501100015](#) [C501106004](#) [C501106010](#) [C5F1108007](#)
[C601104004](#) [C601106004](#) [CA21106004](#) [CA21106010](#)