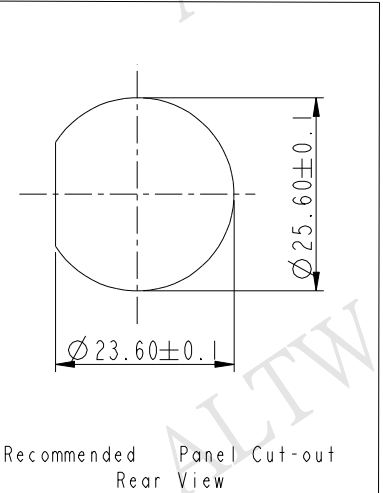
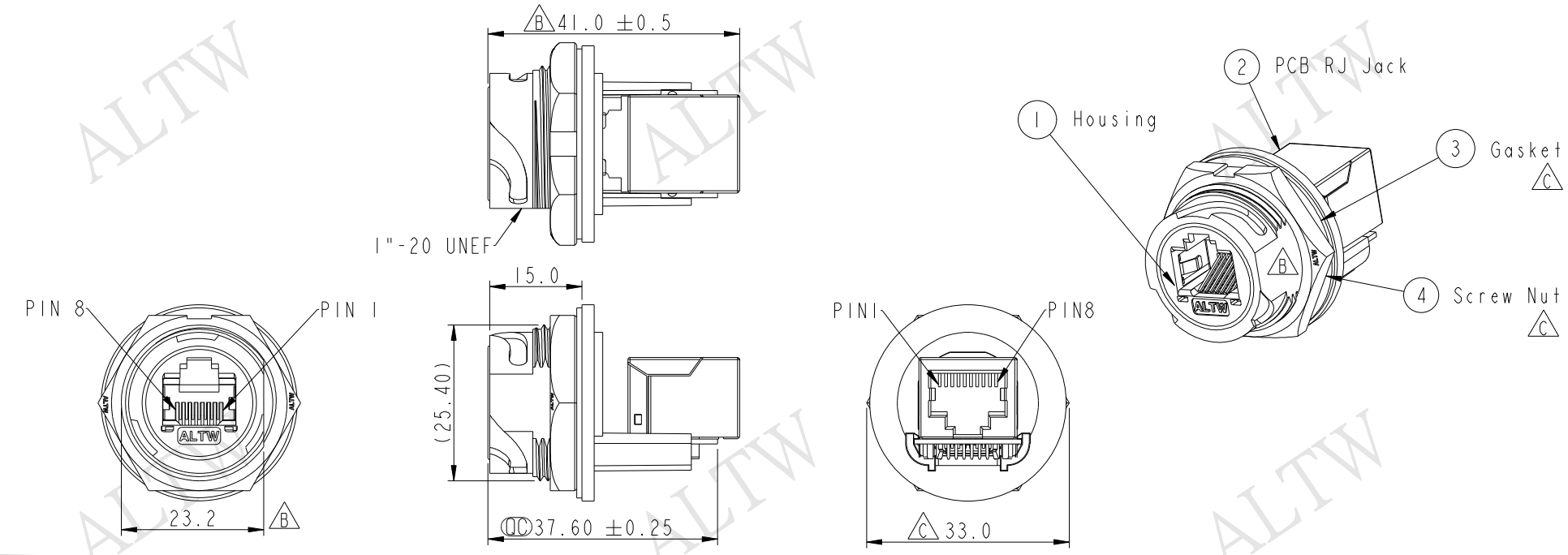


REV.	ECN NO.	DATE	SIGN	DESCRIPTION
B	LENI450027	2014-04-29	Tom_gu	Change D Cut
C	LE31490103	2014-08-21	Feng_Li	Change Nut and Gasket



ALTW
CONFIDENTIAL
2014-08-21
R&D DEPT.

- Note:
- * \varnothing Important Dimension
 - * Waterproof Rate : IP67
 - * Housing : Nylon+GF, BLACK
 - * Screw Nut : Nylon+GF, BLACK
 - $\triangle C$ * Gasket : Silicone, Gray.
 - * PCB: FR-4
 - $\triangle C$ * Jack : PBT Polyester, Black
 - * Panel Thickness Max: 3.0mm
 - * Screw torsion value range: 8~15kgf-cm

UNIT : mm		TITLE		ITEM NO	DRAWN BY	DATE
		RJ45,D SIZE, MATED WP		RDP-5SPFFH-TCM7001	Feng_Li	2014-08-21
TOLERANCE		SCALE	SIZE	DWG NO	CHECKED BY	DATE
.X ±0.25		1:1	A4	RDP-5SPFFH-TCM7001	Tom	2014-08-21
.XX ±0.1	REV.	WC-REV.	SHEET	CUSTOMER	APPROVED BY	DATE
.XXX ±0.05	C	A.6	1 OF 1	ALTW	Victor	2014-08-21
ANGLES ±1°	\varnothing : Inspection item		Amphenol LTW 安費諾亮泰企業股份有限公司			

THIS DOCUMENT IS SUBJECT TO CHANGE WITHOUT NOTICE. IT IS CONFIDENTIAL AND A PROPERTY OF Amphenol LTW. DISCLOSURE TO THIRD PARTY HAS TO BE AUTHORIZED BY Amphenol LTW.

X-ON Electronics

Largest Supplier of Electrical and Electronic Components

Click to view similar products for [Modular Connectors](#) / [Ethernet Connectors](#) category:

Click to view products by [Amphenol](#) manufacturer:

Other Similar products are found below :

[8949-H88/06BLKA/SN](#) [74441-0010/BKN](#) [MP1010RX-1000](#) [MP44RX-1000](#) [PHJ-4P4C-1-V-4](#) [PHP-6P6C-5](#) [GAX-3-66](#) [GAX-8-62](#) [GDCX-PA-66-50](#) [GDCX-PN-64](#) [GDCX-PN-66](#) [GDCX-PN-66-50](#) [GDLX-A-66](#) [GDLX-N-66](#) [GDLX-S-66](#) [GDLX-S-88K](#) [GDTX-S-88-50](#) [GDX-PA-1010](#) [GLX-N-1010M-BLK](#) [GLX-S-88M-BLK](#) [GMX-N-1010](#) [GMX-S-1010](#) [GMX-S-66](#) [GMX-SMT4-N-88](#) [GPX-2-64](#) [GSGX-N-2-88](#) [GSGX-N-4-88](#) [GSX-NS2-88-3.05](#) [GSX-NS2-88-3.05-50](#) [GSX-NS-88-3.68](#) [PT-108A-8C-UL](#) [PT-J951-8C](#) [PTS-J531-8CS-50UL](#) [1-1775629-2](#) [A-2014-0-4](#) [GWLX-S-88-GR](#) [GWLX-S9-88-YG](#) [DC-1021-8-WH-6](#) [1300530003](#) [1324640-4](#) [RJ11FTVC2G](#) [RJ11FTVC2N](#) [RJFTVX2SA1G](#) [132764-001](#) [1413235](#) [MP88X-1000](#) [MPS88RX-5000](#) [MRJR-5481-0F2](#) [E5288-S000K3-L](#) [E5908-15A242-L](#)