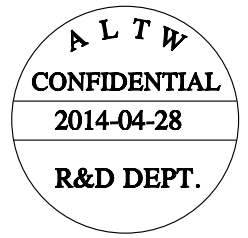
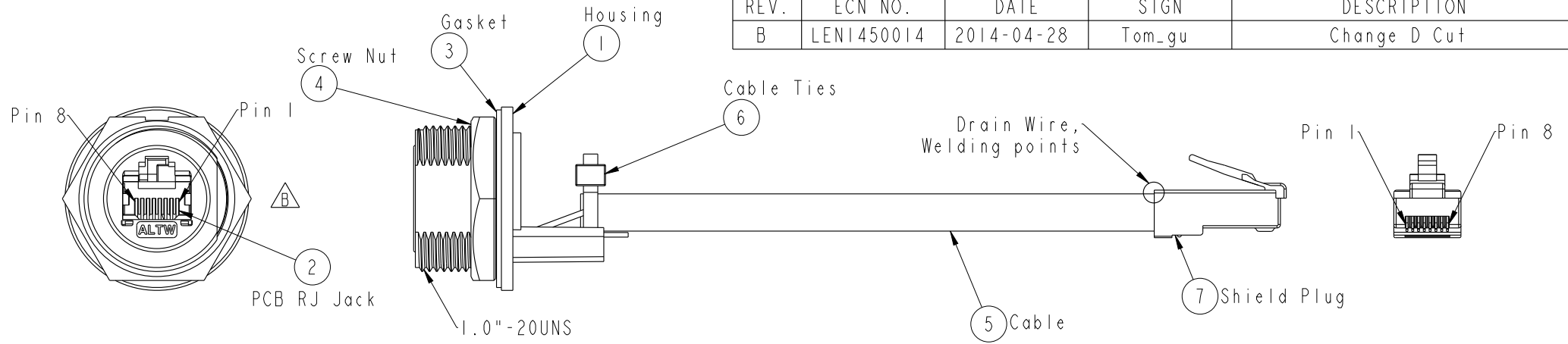
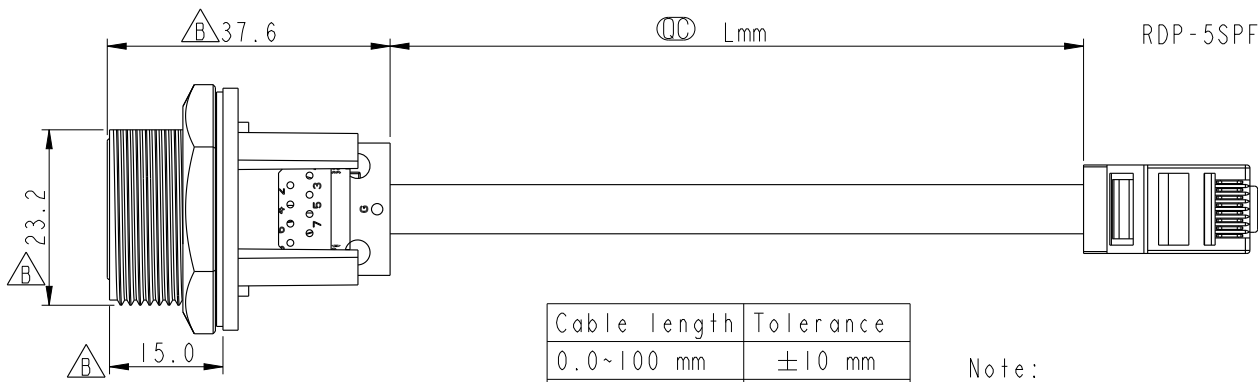


THIS DOCUMENT IS SUBJECT TO CHANGE WITHOUT NOTICE. IT IS CONFIDENTIAL AND A PROPERTY OF AMPHENOL LTW. DISCLOSURE TO THIRD PARTY HAS TO BE AUTHORIZED BY AMPHENOL LTW.

REV.	ECN NO.	DATE	SIGN	DESCRIPTION
B	LEN1450014	2014-04-28	Tom_gu	Change D Cut

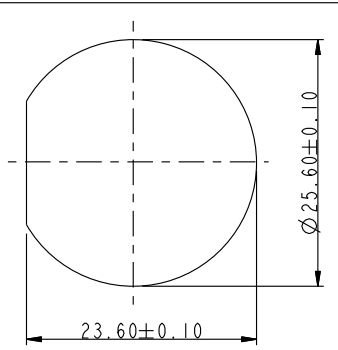


Cable Length(L): 100~1000mm  
 RDP-5SPFFP-SCM7BXX  
 XX: 100~1000mm  
 10: 100mm  
 15: 150mm  
 20: 200mm  
 |  
 95: 950mm  
 A0: 1000mm



Cable length	Tolerance
0.0~100 mm	±10 mm
101~300 mm	±15 mm
301~1000 mm	±20 mm

- Note:
- \*  $\varnothing$  Important Dimension
  - \* Waterproof Rate : IP67, MATED WATERPROOF
  - \* Housing : Nylon+GF, BLACK
  - \* Screw Nut : Nylon+GF, BLACK
  - \* Gasket : Silicone, UL 94V-0, Gray.
  - \* PCB: FR-4
  - \* Cable: CAT5E FTP 24#\*4P+D+AL/MY, 6.5
  - \* Jack : PBT Polyester UL 94V-0
  - \* Panel Thickness Max: 3.0mm
  - \* Screw torsion value range: 8~15kgf-cm



Shield	Drain Wire	接地線	Shield	
8	Brown	棕	8	Twist
7	White/Brown	白/棕	7	
6	Green	綠	6	Twist
5	White/Blue	白/藍	5	
4	Blue	藍	4	Twist
3	White/Green	白/綠	3	
2	Orange	橘	2	Twist
1	White/Orange	白/橘	1	
Jack	Wire Color		Plug	
Pin Out				

UNIT: mm

TOLERANCE  
 .X ±0.25  
 .XX ±0.1  
 .XXX ±0.05  
 ANGLES ±1°

TITLE: RJ45, D SIZE, MATED WATERPROOF

SCALE: 1:1 SIZE: A4 SHEET: 1 OF 1

REV. B WC-REV. A.5  $\varnothing$ : Inspection item

**Amphenol LTW**  
 安費諾亮泰企業股份有限公司

ITEM NO	DRAWN BY	DATE
	Tom_gu	2014-04-28
DWG NO	CHECKED BY	DATE
RDP-5SPFFP-SCM7BXX	Tony	2014-04-28
CUSTOMER	APPROVED BY	DATE
ALTW	Victor	2014-04-28

## X-ON Electronics

Largest Supplier of Electrical and Electronic Components

*Click to view similar products for [Ethernet Cables / Networking Cables](#) category:*

*Click to view products by [Amphenol](#) manufacturer:*

Other Similar products are found below :

[73-6670-7](#) [73-6680-15](#) [73-7797-25](#) [MCJB2-10P6Q7-120](#) [84909-0204](#) [1200700174](#) [1200860368](#) [E16A06002M030](#) [E200102-009-S1](#)  
[AX105346-EW](#) [MT14-187L](#) [17-103530](#) [ERWPAB3002M005](#) [190-038045-01](#) [NK5EPC18RDY](#) [NK5EPC18VLY](#) [NK5EPC18YLY](#)  
[NK5EPC1GRY](#) [NK5EPC4Y](#) [NK5EPC6YLY](#) [NK5EPC8BLY](#) [NK5EPC9YLY](#) [1969343-6](#) [C501100010](#) [C501106002](#) [C501106007](#)  
[C501106015](#) [C501106025](#) [C601102010](#) [C601104010](#) [C601106007](#) [C601106015](#) [2142758-2](#) [2168427-2](#) [CAT1106007](#) [SR02P0-26E5-15.0](#)  
[SR02S0-26E5-15.0](#) [21949-1](#) [2J1866A](#) [RJF SFTP 5E 0500](#) [AX100351](#) [MN14CEC/ST](#) [C501100015](#) [C501106004](#) [C501106010](#) [C5F1108007](#)  
[C601104004](#) [C601106004](#) [CA21106004](#) [CA21106010](#)