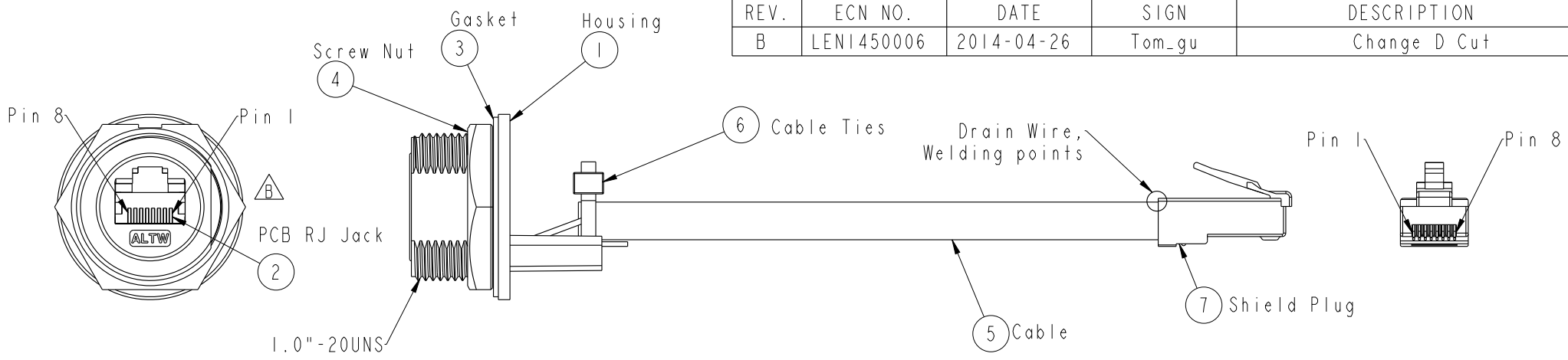


THIS DOCUMENT IS SUBJECT TO CHANGE WITHOUT NOTICE. IT IS CONFIDENTIAL AND A PROPERTY OF AMPHENOL LTW. DISCLOSURE TO THIRD PARTY HAS TO BE AUTHORIZED BY AMPHENOL LTW.

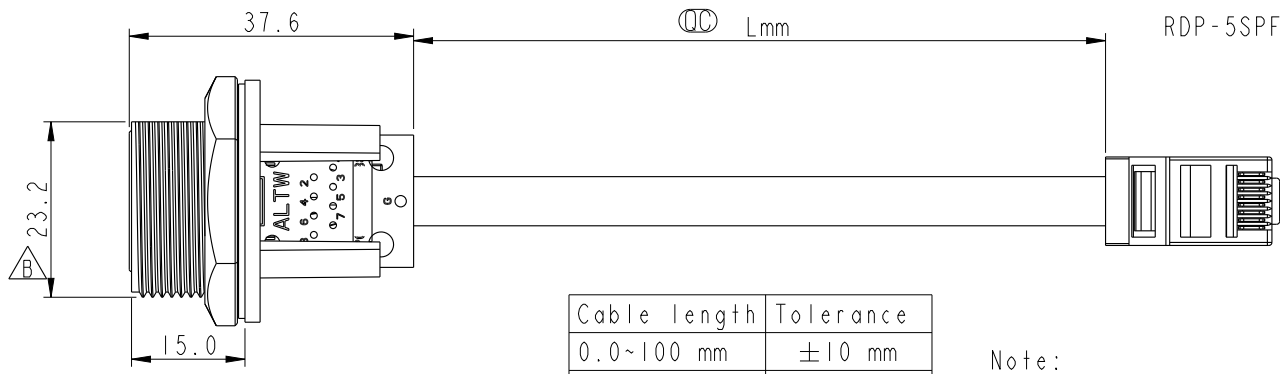
REV.	ECN NO.	DATE	SIGN	DESCRIPTION
B	LEN1450006	2014-04-26	Tom_gu	Change D Cut



Cable Length(L): 100~1000mm

RDP-5SPFFP-SCU7BXX

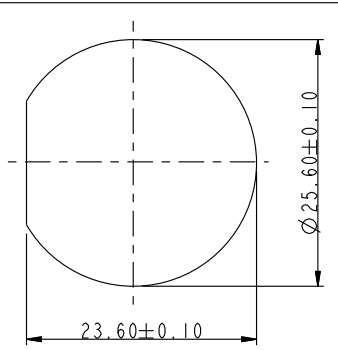
- XX: 100~1000mm
- 10: 100mm
- 15: 150mm
- 20: 200mm
- 95: 950mm
- A0: 1000mm



Cable length	Tolerance
0.0~100 mm	±10 mm
101~300 mm	±15 mm
301~1000 mm	±20 mm

Note:

- \*  $\varnothing$  Important Dimension
- \* Waterproof Rate : IP67, UNMATED WATERPROOF
- \* Housing : Nylon+GF, BLACK
- \* Screw Nut : Nylon+GF, BLACK
- \* Gasket : Silicone, UL 94V-0, Gray.
- \* PCB: FR-4
- \* Cable: CAT5E FTP 24#\*4P+D+AL/MY, 6.5
- \* Jack : PBT Polyester UL 94V-0
- \* Panel Thickness Max: 3.0mm
- \* Screw torsion value range: 8~15kgf-cm



Shield	Drain Wire	接地線	Shield	
8	Brown	棕	8	Twist
7	White/Brown	白/棕	7	
6	Green	綠	6	Twist
5	White/Blue	白/藍	5	
4	Blue	藍	4	Twist
3	White/Green	白/綠	3	
2	Orange	橘	2	Twist
1	White/Orange	白/橘	1	
Jack	Wire Color	Pin Out	Plug	

UNIT: mm

TOLERANCE

.X	±0.25
.XX	±0.1
.XXX	±0.05
ANGLES	±1°

TITLE: RJ45, D SIZE, UNMATED WATERPROOF

SCALE: 1:1

SIZE: A4

SHEET: 1 OF 1

REV. B

WC-REV. A.4

$\varnothing$ : Inspection item

**Amphenol LTW**  
安費諾亮泰企業股份有限公司

ITEM NO	DRAWN BY	DATE
	Tom_gu	2014-04-26
DWG NO	CHECKED BY	DATE
RDP-5SPFFP-SCU7BXX	Tony	2014-04-26
CUSTOMER	APPROVED BY	DATE
ALTW	Victor	2014-04-26

## X-ON Electronics

Largest Supplier of Electrical and Electronic Components

*Click to view similar products for [Modular Connectors](#) / [Ethernet Connectors](#) category:*

*Click to view products by [Amphenol](#) manufacturer:*

Other Similar products are found below :

[8949-H88/06BLKA/SN](#) [74441-0010/BKN](#) [MP1010RX-1000](#) [MP44RX-1000](#) [PHJ-4P4C-1-V-4](#) [PHP-6P6C-5](#) [GAX-3-66](#) [GAX-8-62](#) [GDCX-PA-66-50](#) [GDCX-PN-64](#) [GDCX-PN-66](#) [GDCX-PN-66-50](#) [GDLX-A-66](#) [GDLX-N-66](#) [GDLX-S-66](#) [GDLX-S-88K](#) [GDTX-S-88-50](#) [GDX-PA-1010](#) [GLX-N-1010M-BLK](#) [GLX-S-88M-BLK](#) [GMX-N-1010](#) [GMX-S-1010](#) [GMX-S-66](#) [GMX-SMT4-N-88](#) [GPX-2-64](#) [GSGX-N-2-88](#) [GSGX-N-4-88](#) [GSX-NS2-88-3.05-50](#) [PT-108A-8C-UL](#) [PT-J951-8C](#) [PTS-J531-8CS-50UL](#) [1-1775629-2](#) [A-2014-0-4](#) [GWLX-S-88-GR](#) [GWLX-S9-88-YG](#) [DC-1021-8-WH-6](#) [1300530003](#) [1324640-4](#) [RJ11FTVC2G](#) [RJ11FTVC2N](#) [RJFTVX2SA1G](#) [132764-001](#) [1413235](#) [MP88X-1000](#) [MPS88RX-5000](#) [MRJR-5481-0F2](#) [E5288-S000K3-L](#) [E5908-15A242-L](#) [155302-001](#) [AX100653](#)