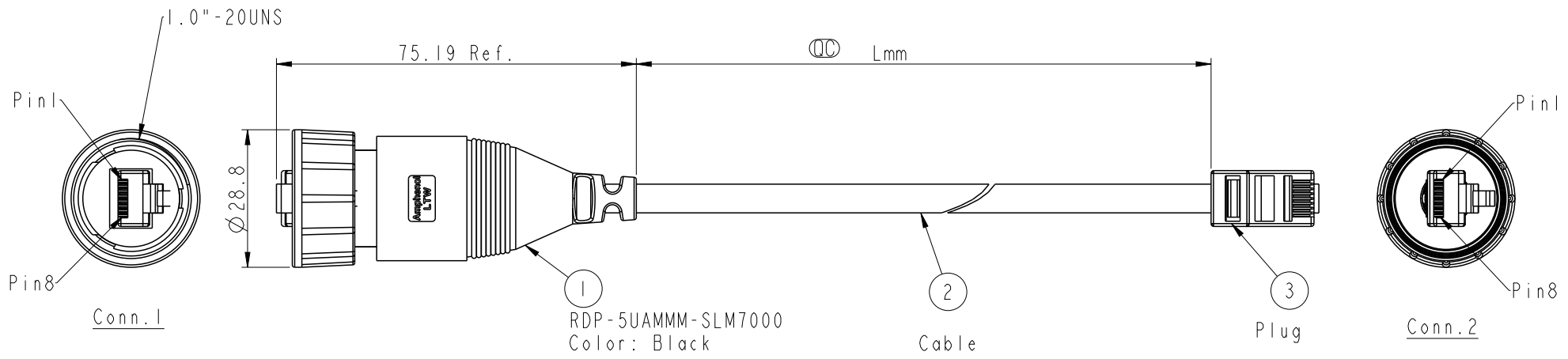
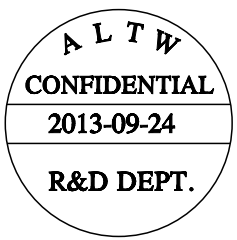


REV.	ECN NO.	DATE	SIGN	DESCRIPTION



Waterproof Rate: IP67



RDP5UM-UPG06M-SL7A XX
 XX : 01~99Meters
 01 : 01Meter
 02 : 02Meters
 :
 :
 :
 99 : 99Meters
 Cable Length(L): 01~99Meters

Note:
 * (CC) Important Dimension To Check
 * Waterproof Rate: IP67
 * Housing: Nylon+GF, Black
 * Lock Nut: Nylon+GF, Black
 * RJ Plug: Unshield, Phosphor Bronze, Gold Plated
 * Cable: NOUL, CAT5E UTP 24#*4P, OD6.0, BK
 * Cable Length Tolerance: 01M: ±40mm
 02M~05M: ±60mm
 11M~30M: ±200mm
 31M~99M: ±500mm

8	Brown	棕	8	Twist
7	White/Brown	白/棕	7	
6	Green	綠	6	
5	White/Blue	白/藍	5	
4	Blue	藍	4	
3	White/Green	白/綠	3	
2	Orange	橘	2	
1	White/Orange	白/橘	1	
Conn.1	Wire Color		Conn.2	

Pin Out

UNIT: mm	TITLE: RJ DOUBLE-ENDED, WITH PLUG 1.0"-20UNS			<h1>Amphenol LTW</h1> <p>安費諾亮泰企業股份有限公司</p>	ITEM NO	DRAWN BY	DATE	
	TOLERANCE .X ±0.25 .XX ±0.1 .XXX ±0.05 ANGLES ±1°	SCALE: 4:5	SIZE: A4		SHEET: 1 OF 1	DWG NO	CHECKED BY	DATE
		REV: A	WC-REV: A.3		(CC): Inspection item	CUSTOMER: ALTW	APPROVED BY	DATE
					Raison_liao	2013-09-24		
					Tony	2013-09-24		
					Victor	2013-09-24		

THIS DOCUMENT IS SUBJECT TO CHANGE WITHOUT NOTICE. IT IS CONFIDENTIAL AND A PROPERTY OF Amphenol LTW. DISCLOSURE TO THIRD PARTY HAS TO BE AUTHORIZED BY Amphenol LTW.

X-ON Electronics

Largest Supplier of Electrical and Electronic Components

Click to view similar products for [Ethernet Cables / Networking Cables](#) category:

Click to view products by [Amphenol](#) manufacturer:

Other Similar products are found below :

[73-6670-7](#) [73-6680-15](#) [73-7797-25](#) [MCJB2-10P6Q7-120](#) [84909-0204](#) [1200700174](#) [1200860368](#) [E16A06002M030](#) [E200102-009-S1](#)
[AX105346-EW](#) [MT14-187L](#) [17-103530](#) [ERWPAB3002M005](#) [190-038045-01](#) [NK5EPC18RDY](#) [NK5EPC18VLY](#) [NK5EPC18YLY](#)
[NK5EPC1GRY](#) [NK5EPC4Y](#) [NK5EPC6YLY](#) [NK5EPC8BLY](#) [NK5EPC9YLY](#) [1969343-6](#) [C501100010](#) [C501106002](#) [C501106007](#)
[C501106015](#) [C501106025](#) [C601102010](#) [C601104010](#) [C601106007](#) [C601106015](#) [2142758-2](#) [2168427-2](#) [CAT1106007](#) [SR02P0-26E5-15.0](#)
[SR02S0-26E5-15.0](#) [21949-1](#) [2J1866A](#) [RJF SFTP 5E 0500](#) [AX100351](#) [MN14CEC/ST](#) [C501100015](#) [C501106004](#) [C501106010](#) [C5F1108007](#)
[C601104004](#) [C601106004](#) [CA21106004](#) [CA21106010](#)