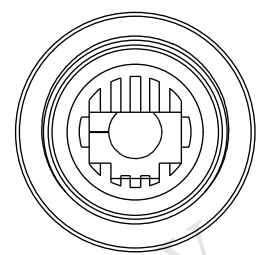
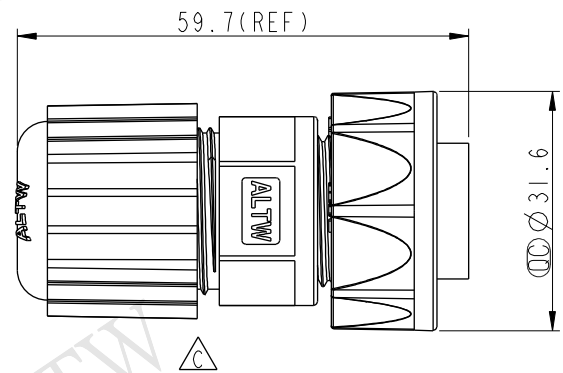
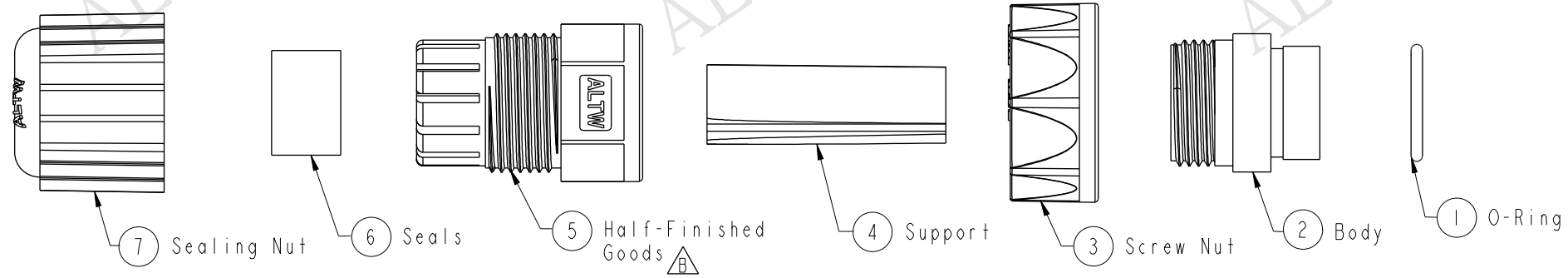


THIS DOCUMENT IS SUBJECT TO CHANGE WITHOUT NOTICE. IT IS CONFIDENTIAL AND A PROPERTY OF Amphenol LTW. DISCLOSURE TO THIRD PARTY HAS TO BE AUTHORIZED BY Amphenol LTW.

REV.	ECN NO.	DATE	SIGN	DESCRIPTION
B	LE3-880065	2008/08/20	Kathy Huang	Change The Clamp Ring & Gasket
C	LEN15B0047	2015/10/28	Ruru	Change Logo



ALTW
 CONFIDENTIAL
 2015-10-28
 R&D DEPT.

- Note:
- * \varnothing Important Dimension
 - * Waterproof Rate: IP67
 - * O-Ring: EPDM, Black
 - * Body: Nylon+GF
 - * Screw Nut: Silver, ZINC
 - * Support: TPU, Black
 - * \triangle Half-Finished Goods: Nylon(Black)& Silicone(Gray,Black)
 - * Seals: EPDM, Black
 - * Sealing Nut: Nylon, Black
 - * Cable OD Max: \varnothing 6.5

UNIT: mm			TITLE RJ45 Assy Screw M Conn M Pin
TOLERANCE	.X ±0.25	.XX ±0.1	SCALE 1:1
.XXX ±0.05	ANGLES ±1°	SHEET 1 OF 1	SIZE A4
REV. C	WC-REV. A.1	\varnothing : Inspection item	

Amphenol LTW
 安費諾亮泰企業股份有限公司

ITEM NO. RJ-00BMA-SL7003	DRAWN BY Ruru	DATE 2015-10-28
DWG NO. RJ-00BMA-SL7003	CHECKED BY Rita	DATE 2015-10-28
CUSTOMER ALTW	APPROVED BY Lisa	DATE 2015-10-28

X-ON Electronics

Largest Supplier of Electrical and Electronic Components

Click to view similar products for [Modular Connectors](#) / [Ethernet Connectors](#) category:

Click to view products by [Amphenol](#) manufacturer:

Other Similar products are found below :

[8949-H88/06BLKA/SN](#) [74441-0010/BKN](#) [MP1010RX-1000](#) [MP44RX-1000](#) [PHJ-4P4C-1-V-4](#) [PHP-6P6C-5](#) [GAX-3-66](#) [GAX-8-62](#) [GDCX-PA-66-50](#) [GDCX-PN-64](#) [GDCX-PN-66](#) [GDCX-PN-66-50](#) [GDLX-A-66](#) [GDLX-N-66](#) [GDLX-S-66](#) [GDLX-S-88K](#) [GDTX-S-88-50](#) [GDX-PA-1010](#) [GLX-N-1010M-BLK](#) [GLX-S-88M-BLK](#) [GMX-N-1010](#) [GMX-S-1010](#) [GMX-S-66](#) [GMX-SMT4-N-88](#) [GPX-2-64](#) [GSGX-N-2-88](#) [GSGX-N-4-88](#) [GSX-NS2-88-3.05-50](#) [PT-108A-8C-UL](#) [PT-J951-8C](#) [PTS-J531-8CS-50UL](#) [1-1775629-2](#) [A-2014-0-4](#) [GWLX-S-88-GR](#) [GWLX-S9-88-YG](#) [DC-1021-8-WH-6](#) [1300530003](#) [1324640-4](#) [RJ11FTVC2G](#) [RJ11FTVC2N](#) [RJFTVX2SA1G](#) [132764-001](#) [1413235](#) [MP88X-1000](#) [MPS88RX-5000](#) [MRJR-5481-0F2](#) [E5288-S000K3-L](#) [E5908-15A242-L](#) [155302-001](#) [AX100653](#)