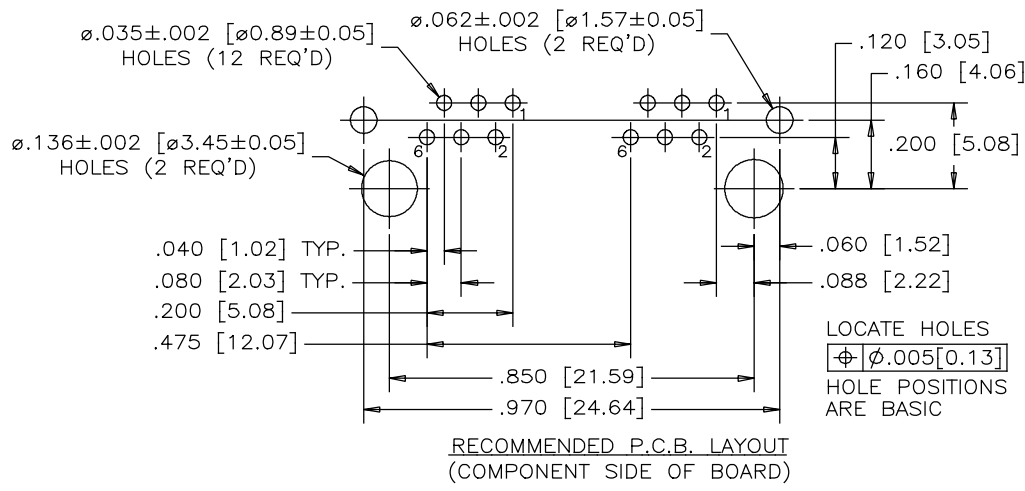
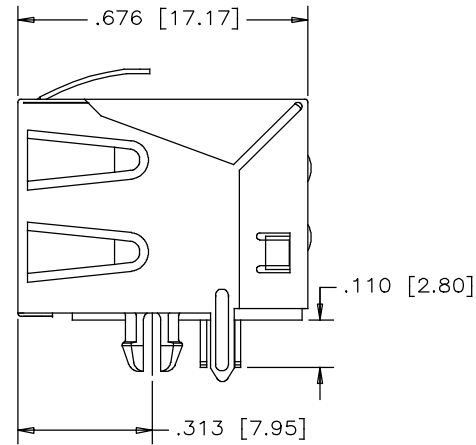
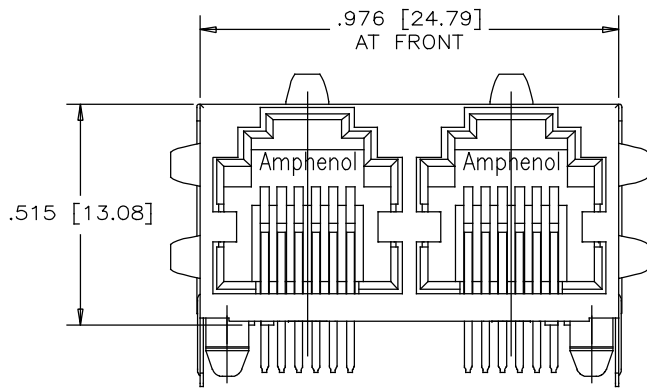


REVISIONS			
REV	DESCRIPTION, ECN, EAR NO.	DATE	APP'D
A	PROPOSAL DRAWING	OCT08/14	L.CHAN
B	PROPOSAL DRAWING	FEB04/16	L.CHAN
C	PROPOSAL DRAWING	APR05/16	L.CHAN



MATERIALS:

PLASTIC HOUSING: HIGH TEMPERATURE RESISTANT NYLON
UL FLAMMABILITY RATING 94V-0.
SOLDER REFLOW PROCESS COMPATIBLE.

CONTACTS: PHOSPHOR BRONZE

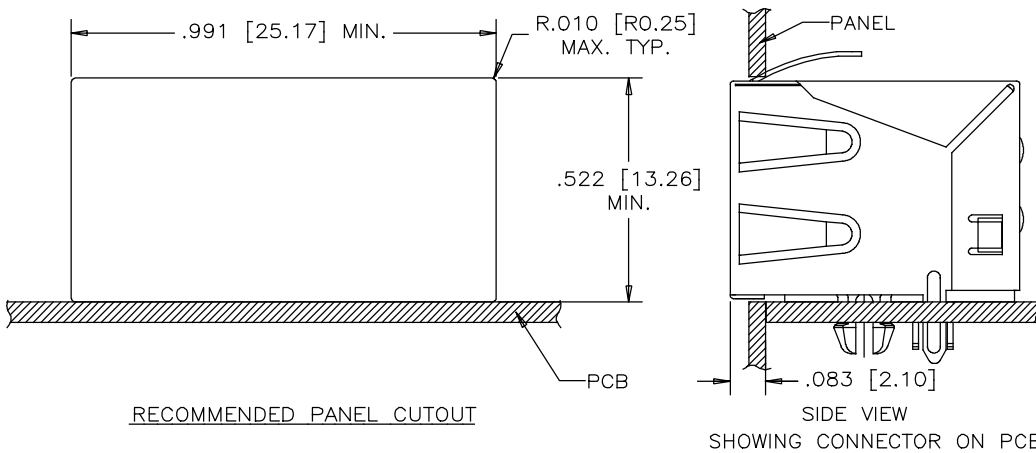
CONTACT PLATING: GOLD PLATED ON MATING SURFACES.
(SEE PART NO. FOR THICKNESS).
50 MICROINCHES [1.27 MICRONS] MIN.
NICKEL UNDERPLATE
100 MICROINCHES [2.54 MICRONS] MIN.
MATTE TIN ON CONTACT TAILS.

SHIELD: COPPER ALLOY; NICKEL PLATED WITH TIN DIPPED
PCB TAILS.

RECOMMENDED SOLDERING TEMPERATURE:
WAVE SOLDERING OR REFLOW SOLDERING AT 260°C
MAXIMUM FOR 5 SEC MAXIMUM.

AMPHENOL PART NUMBER: RJE01-X62-02

GOLD PLATING:
1= RJ45 CONTACT 6u"
G= RJ45 CONTACT 15u"
J= RJ45 CONTACT 30u"
6= RJ45 CONTACT 50u"



UNLESS SPECIFIED OTHERWISE	DRAWN F.WANG OCT08/14	Amphenol Canada Corp. www.amphenolcanada.com
PRIMARY UNITS INCHES	CHECKED L.Chan OCT08/14	
SECONDARY MILLIMETERS	M.E. APP'D	HIGH SPEED MODULAR JACK, 2 PORT, 6 POSITION, 6 CONTACTS, SHIELD WITH PCB TAILS—RoHS COMPLIANT
REFERENCE IN PARENTHESES	Q.A. APP'D	
GENERAL TOLERANCES FOR MM	DWG APP'D	DWG NO. P-RJE01-X62-02
1 DECIMAL PLACE ±0.025	ENG. REL. NO.	REV C
2 DECIMAL PLACE ±0.020	REF.	CODE ID NO. 03554 DWG SIZE: C SCALE: N/A SHEET 1 OF 1
3 DECIMAL PLACE ±0.015	THIRD ANGLE PROJECTION	
ANGULAR DEGREES ±1.5°	DO NOT SCALE DRAWING	

X-ON Electronics

Largest Supplier of Electrical and Electronic Components

Click to view similar products for [Modular Connectors](#) / [Ethernet Connectors](#) category:

Click to view products by [Amphenol](#) manufacturer:

Other Similar products are found below :

[8949-H88/06BLKA/SN](#) [74441-0010/BKN](#) [MP1010RX-1000](#) [MP44RX-1000](#) [PHJ-4P4C-1-V-4](#) [PHP-6P6C-5](#) [GAX-3-66](#) [GAX-8-62](#) [GDCX-PA-66-50](#) [GDCX-PN-64](#) [GDCX-PN-66](#) [GDCX-PN-66-50](#) [GDLX-A-66](#) [GDLX-N-66](#) [GDLX-S-66](#) [GDLX-S-88K](#) [GDTX-S-88-50](#) [GDX-PA-1010](#) [GLX-N-1010M-BLK](#) [GLX-S-88M-BLK](#) [GMX-N-1010](#) [GMX-S-1010](#) [GMX-S-66](#) [GMX-SMT4-N-88](#) [GPX-2-64](#) [GSGX-N-2-88](#) [GSGX-N-4-88](#) [GSX-NS2-88-3.05-50](#) [PT-108A-8C-UL](#) [PT-J951-8C](#) [PTS-J531-8CS-50UL](#) [1-1775629-2](#) [A-2014-0-4](#) [GWLX-S-88-GR](#) [GWLX-S9-88-YG](#) [DC-1021-8-WH-6](#) [1300530003](#) [1324640-4](#) [RJ11FTVC2G](#) [RJ11FTVC2N](#) [RJFTVX2SA1G](#) [132764-001](#) [1413235](#) [MP88X-1000](#) [MPS88RX-5000](#) [MRJR-5481-0F2](#) [E5288-S000K3-L](#) [E5908-15A242-L](#) [155302-001](#) [AX100653](#)