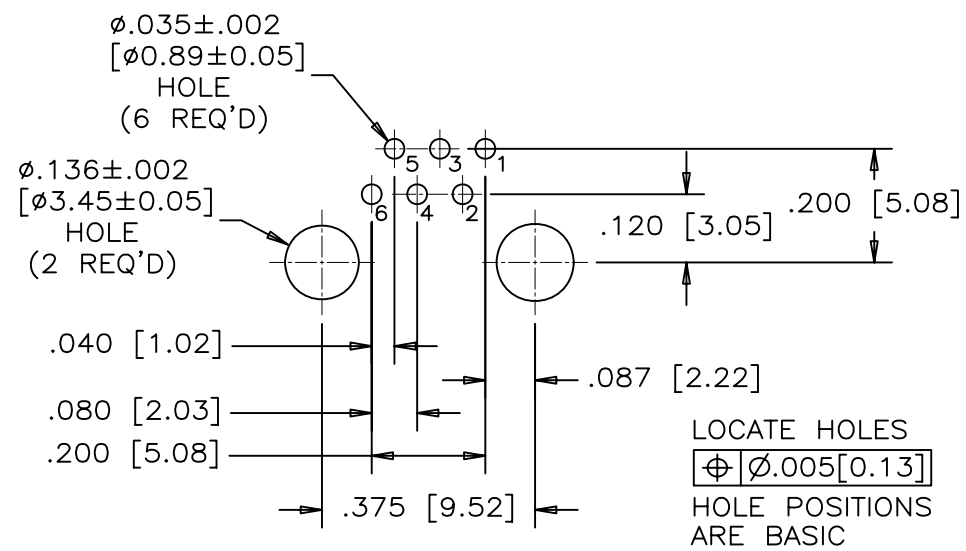
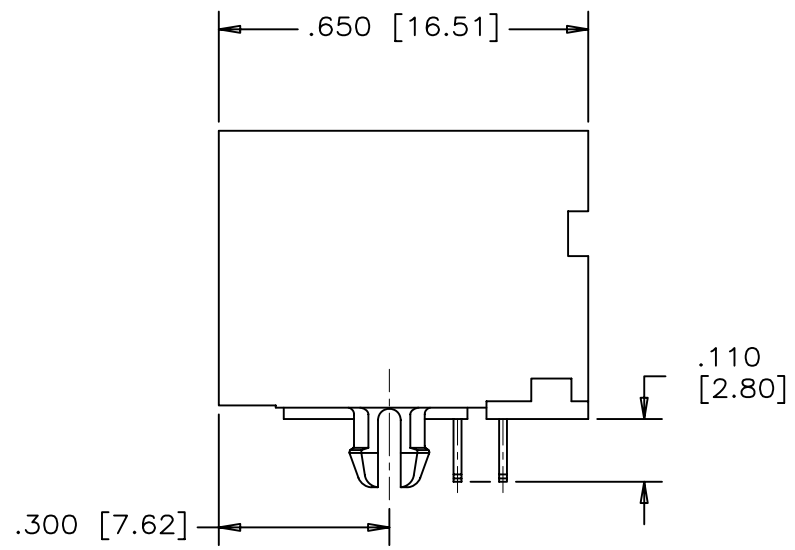
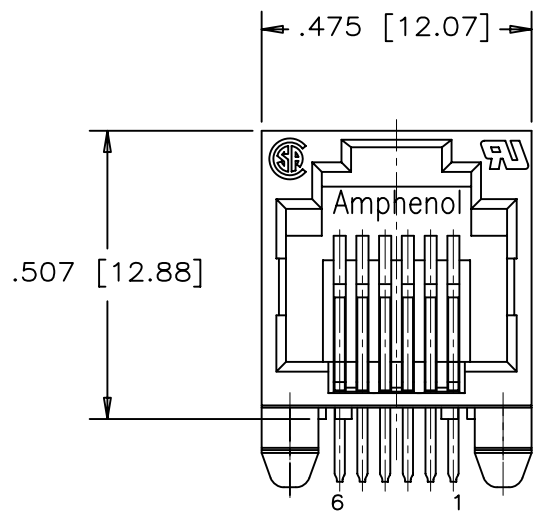
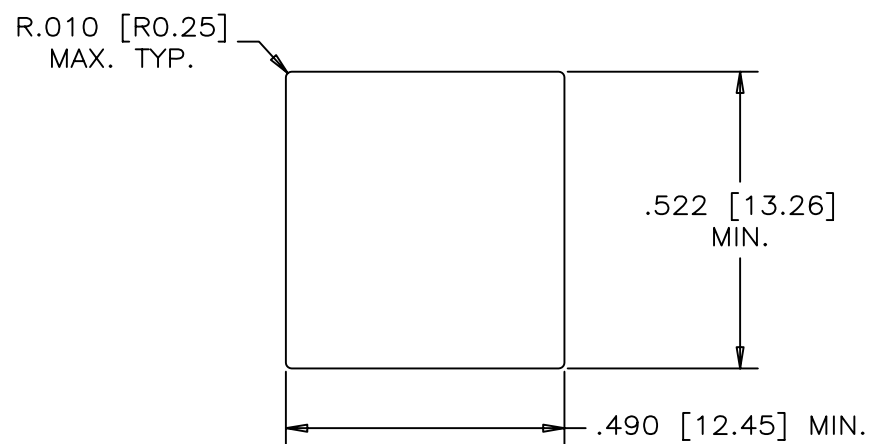


REVISIONS				
SYM	ZONE	ECN, ERN NO.	DATE	APPRD.
A		PROPOSAL	Mar.29/06	L.CHAN



RECOMMENDED P.C.B. LAYOUT  
(COMPONENT SIDE OF BOARD)



RECOMMENDED PANEL CUTOUT

PART NUMBER: RJE01-6X0-01

CONTACT QTY.  
2=2 CONTACTS  
4=4 CONTACTS  
6=6 CONTACTS

**MATERIALS:**

PLASTIC HOUSING: HIGH TEMPERATURE RESISTANT NYLON  
UL FLAMMABILITY RATING 94V-0.  
INFRA-RED OVEN COMPATIBLE

CONTACTS: PHOSPHOR BRONZE

CONTACT PLATING: 50 MICROINCHES [1.27 MICRONS] MINIMUM NICKEL.  
50 MICROINCHES [1.27 MICRONS] MINIMUM GOLD  
ON MATING SURFACES  
100 MICROINCHES [2.54 MICRONS] MATTE TIN  
ON CONTACT TAILS.

RECOMMENDED SOLDERING TEMPERATURE:  
WAVE SOLDERING OR REFLOW SOLDERING AT 260°C  
MAXIMUM FOR 5 SEC MAXIMUM.

THIS DOCUMENT CONTAINS PROPRIETARY INFORMATION AND SUCH INFORMATION  
MAY NOT BE DISCLOSED TO OTHERS FOR ANY PURPOSE OR USED FOR MANUFACTURING  
PURPOSES WITHOUT WRITTEN PERMISSION FROM AMPHENOL CANADA CORP.

DRAWN PAUL WANG	DATE 06/03/29
DESIGNED	
CHECKED CHIGOW	06/03/29
I. E. APPRD.	
Q. A. APPRD.	
DWG. APPRD.	
ENG. REL. NO.	
REF.	
DIMENSIONS ARE IN INCHES [mm]	CODE ID. NO. 03554

Amphenol Canada Corp.	
TITLE HIGH SPEED MODULAR JACK, 1 PORT, 6 POSITIONS, OPTIONAL CONTACTS, WITHOUT SHIELD - RoHS COMPLIANT	
DWG C	DRAWING NO. P-RJE01-6X0-01
SCALE	WT. ----- SURF. ----- SHEET 1 OF 1

REV. A

## X-ON Electronics

Largest Supplier of Electrical and Electronic Components

*Click to view similar products for [Modular Connectors](#) / [Ethernet Connectors](#) category:*

*Click to view products by [Amphenol](#) manufacturer:*

Other Similar products are found below :

[8949-H88/06BLKA/SN](#) [74441-0010/BKN](#) [MP1010RX-1000](#) [MP44RX-1000](#) [PHJ-4P4C-1-V-4](#) [PHP-6P6C-5](#) [GAX-3-66](#) [GAX-8-62](#) [GDCX-PA-66-50](#) [GDCX-PN-64](#) [GDCX-PN-66](#) [GDCX-PN-66-50](#) [GDLX-A-66](#) [GDLX-N-66](#) [GDLX-S-66](#) [GDLX-S-88K](#) [GDTX-S-88-50](#) [GDX-PA-1010](#) [GLX-N-1010M-BLK](#) [GLX-S-88M-BLK](#) [GMX-N-1010](#) [GMX-S-1010](#) [GMX-S-66](#) [GMX-SMT4-N-88](#) [GPX-2-64](#) [GSGX-N-2-88](#) [GSGX-N-4-88](#) [GSX-NS2-88-3.05-50](#) [PT-108A-8C-UL](#) [PT-J951-8C](#) [PTS-J531-8CS-50UL](#) [1-1775629-2](#) [A-2014-0-4](#) [GWLX-S-88-GR](#) [GWLX-S9-88-YG](#) [DC-1021-8-WH-6](#) [1300530003](#) [1324640-4](#) [RJ11FTVC2G](#) [RJ11FTVC2N](#) [RJFTVX2SA1G](#) [132764-001](#) [1413235](#) [MP88X-1000](#) [MPS88RX-5000](#) [MRJR-5481-0F2](#) [E5288-S000K3-L](#) [E5908-15A242-L](#) [155302-001](#) [AX100653](#)