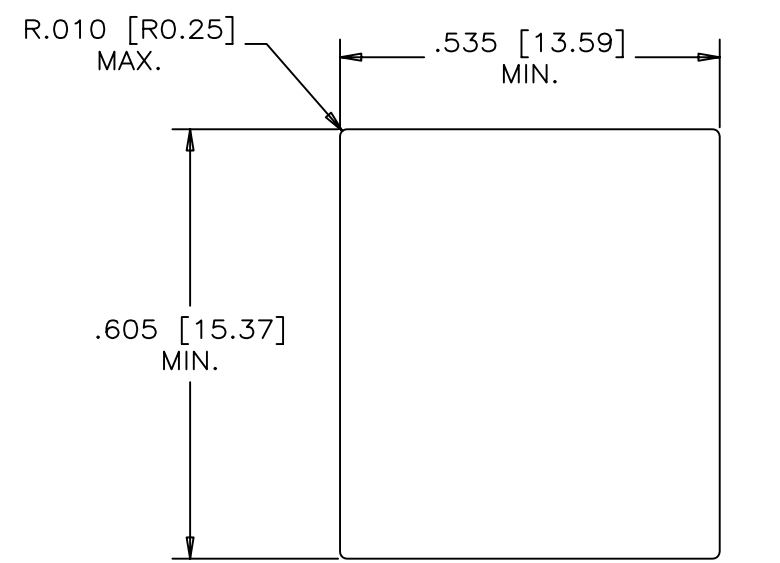
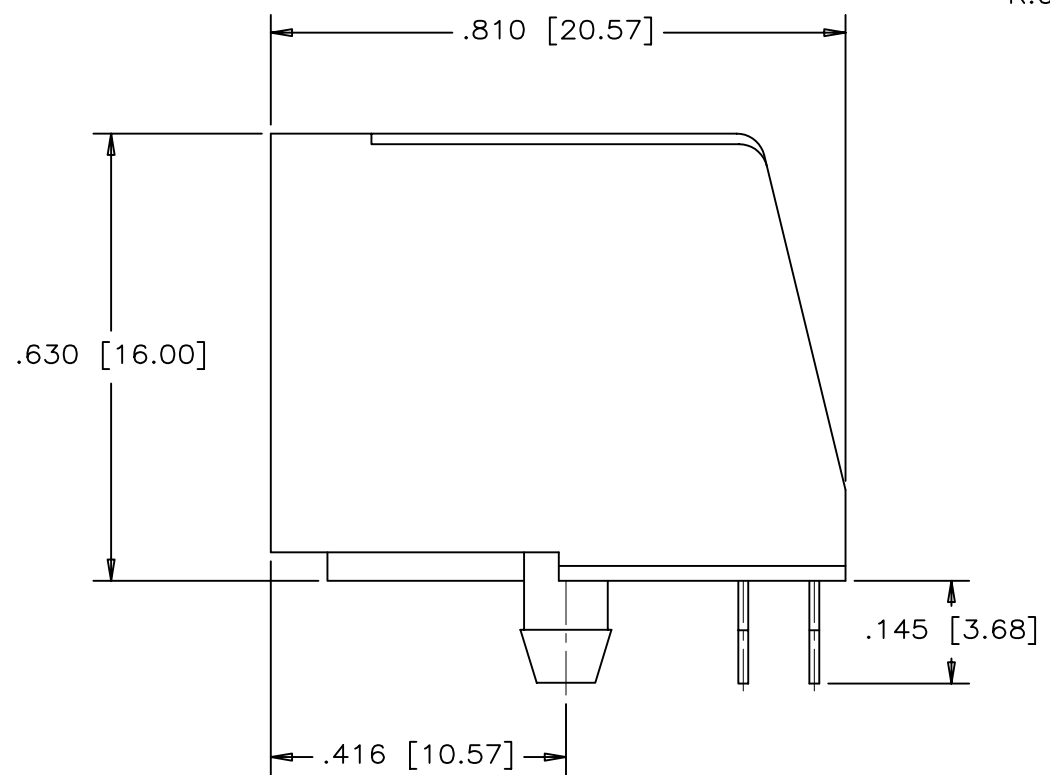
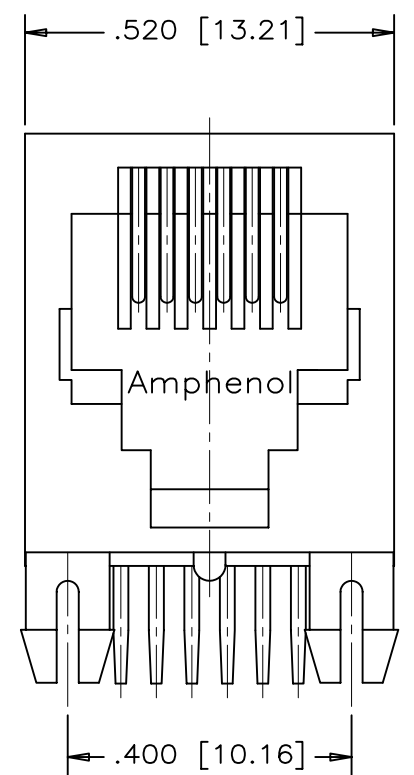
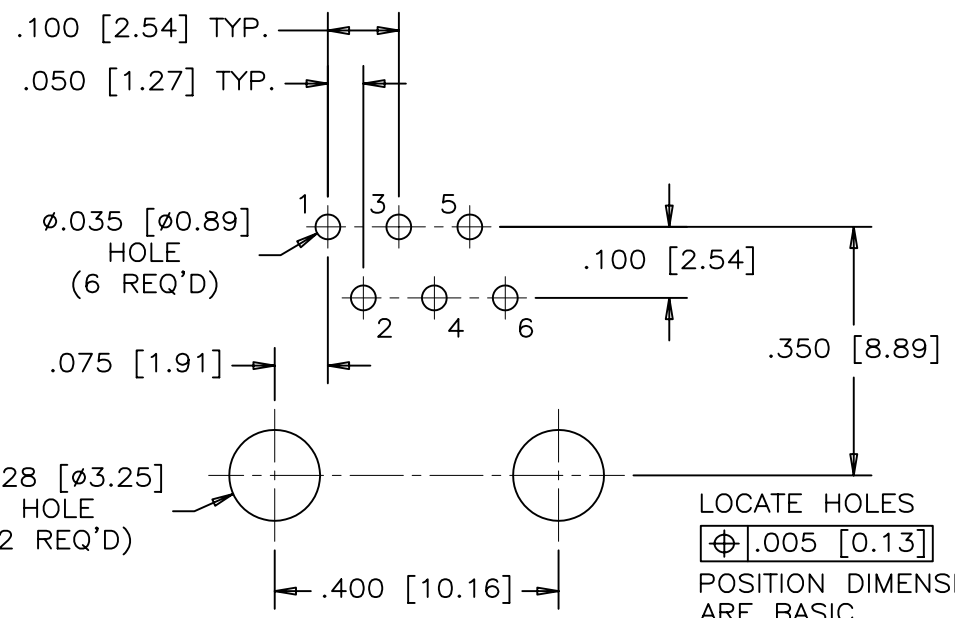


REVISIONS				
SYM	ZONE	ECN, ERN NO.	DATE	APPRD.
A		PROPOSAL	06/03/14	



RECOMMENDED PANEL CUTOUT



RECOMMENDED P.C.B. LAYOUT
(COMPONENT SIDE OF BOARD)

LOCATE HOLES
 $\varnothing .005 [0.13]$
 POSITION DIMENSIONS
 ARE BASIC



MATERIALS:

HOUSING: GLASS REINFORCED THERMOPLASTIC POLYESTER
 FLAMMABILITY RATING UL94V-0
 COLOUR: BLACK

CONTACTS: PHOSPHOR BRONZE
 REFER TO PART NUMBER FOR GOLD THICKNESS ON MATING SURFACES. 50 MICROINCH [1.27 MICRONS] MIN. NICKEL UNDERPLATE. MICROINCH [2.54 MICRONS] MIN. MATTE-TIN ON CONTACT TAILS.

RECOMMENED DOLDERING TEMPERATURE:
 WAVE SOLDERING AT 240°C MAXIMUM FOR 3 SEC MAXIMUM.

AMPHENOL PART NUMBER: R J E 0 2 - 1 6 X - 0 X 1 0

<u>CONTACTS</u>	<u>GOLD PLATING</u>
2 = 2 CONTACTS LOADED IN POSITION 3 & 4	1 = 6 MICROINCH
4 = 4 CONTACTS LOADED IN POSITION 2 TO 5	2 = 15 MICROINCH
6 = 6 CONTACTS LOADED IN POSITION 1 TO 6	3 = 30 MICROINCH
	4 = 50 MICROINCH

THIS DOCUMENT CONTAINS PROPRIETARY INFORMATION AND SUCH INFORMATION MAY NOT BE DISCLOSED TO OTHERS FOR ANY PURPOSE OR USED FOR MANUFACTURING PURPOSES WITHOUT WRITTEN PERMISSION FROM AMPHENOL CANADA CORP.

MATERIAL	DRAWN PAULW	DATE 06/03/14	Amphenol Canada Corp.		
	DESIGNED				
FINISH	CHECKED CHIGOW	06/03/14	TITLE MODULAR JACK, SINGLE PORT 6 POSITION, NO SHIELD AND NO FLANGE - RoHS COMPLIANT		
	I. E. APPRD.				
	Q. A. APPRD.				
	DWG. APPRD.				
	ENG. REL. NO.				
	REF.				
DIMENSIONS ARE IN INCHES [mm]		CODE ID. NO. 03554	DWG C	DRAWING NO. P-RJE02-16X-0X10	REV. A
		SCALE 5/1	WT. -----	SURF. -----	SHEET 1 OF 1

X-ON Electronics

Largest Supplier of Electrical and Electronic Components

Click to view similar products for [Modular Connectors / Ethernet Connectors](#) category:

Click to view products by [Amphenol](#) manufacturer:

Other Similar products are found below :

[8949-H88/06BLKA/SN](#) [74441-0010/BKN](#) [MP1010RX-1000](#) [MP44RX-1000](#) [PHJ-4P4C-1-V-4](#) [PHP-6P6C-5](#) [GAX-3-66](#) [GAX-8-62](#) [GDCX-PA-66-50](#) [GDCX-PN-64](#) [GDCX-PN-66](#) [GDCX-PN-66-50](#) [GDLX-A-66](#) [GDLX-N-66](#) [GDLX-S-66](#) [GDLX-S-88K](#) [GDTX-S-88-50](#) [GDX-PA-1010](#) [GLX-N-1010M-BLK](#) [GLX-S-88M-BLK](#) [GMX-N-1010](#) [GMX-S-1010](#) [GMX-S-66](#) [GMX-SMT4-N-88](#) [GPX-2-64](#) [GSGX-N-2-88](#) [GSGX-N-4-88](#) [GSX-NS2-88-3.05-50](#) [PT-108A-8C-UL](#) [PT-J951-8C](#) [PTS-J531-8CS-50UL](#) [1-1775629-2](#) [A-2014-0-4](#) [GWLX-S-88-GR](#) [GWLX-S9-88-YG](#) [DC-1021-8-WH-6](#) [1300530003](#) [1324640-4](#) [RJ11FTVC2G](#) [RJ11FTVC2N](#) [RJFTVX2SA1G](#) [132764-001](#) [1413235](#) [MP88X-1000](#) [MPS88RX-5000](#) [MRJR-5481-0F2](#) [E5288-S000K3-L](#) [E5908-15A242-L](#) [155302-001](#) [AX100653](#)