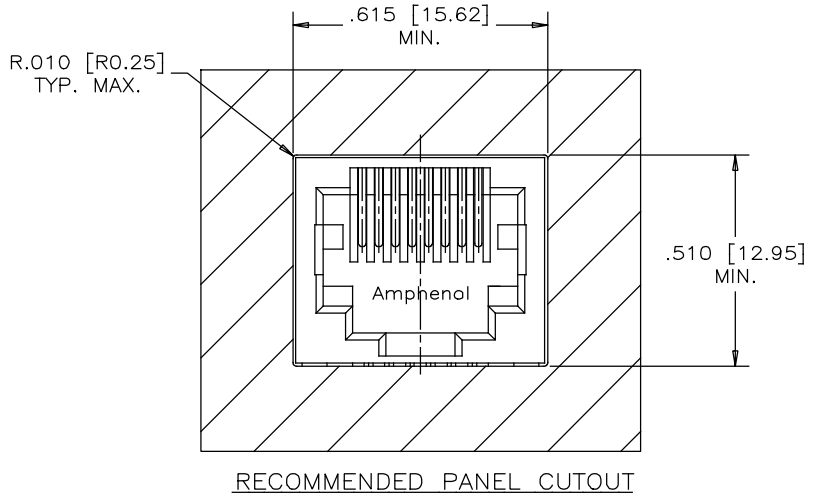
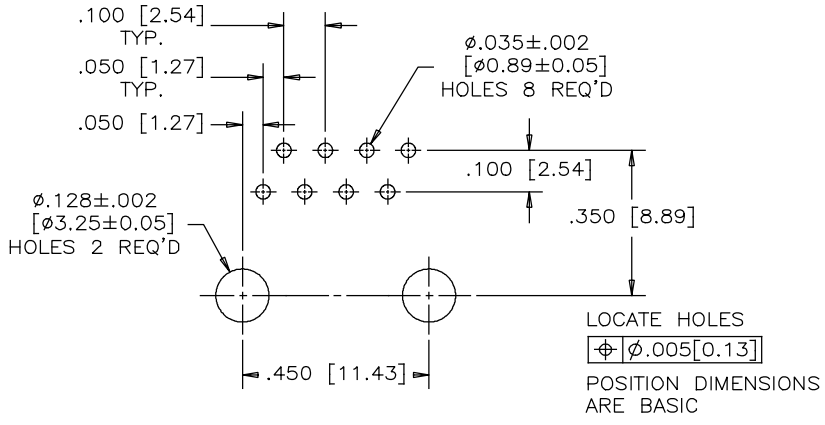
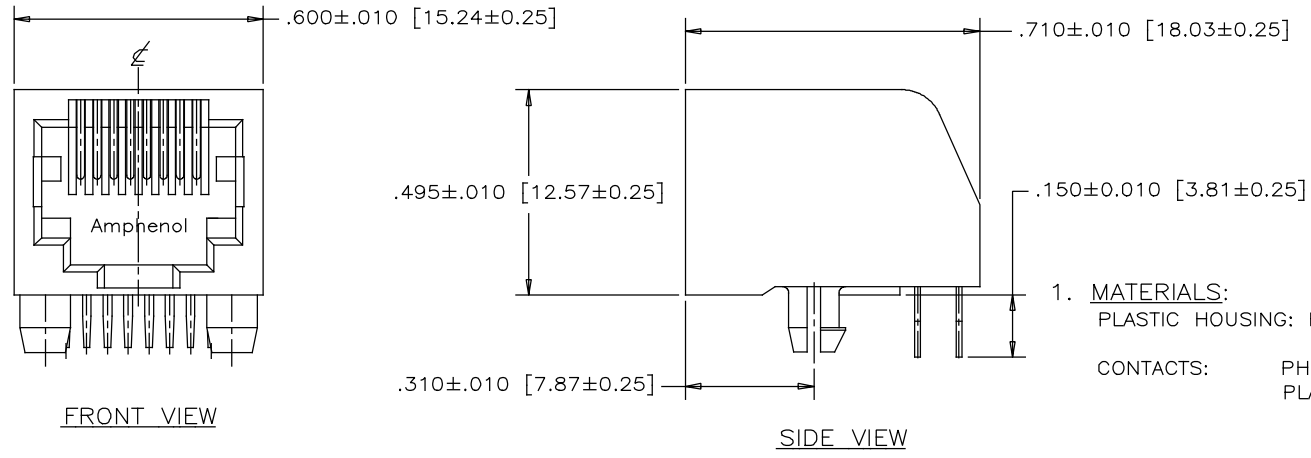


REVISIONS			
REV	DESCRIPTION, ECN, EAR NO.	DATE	APP'D
C	PROPOSAL	05/12/05	L.CHAN
D	UPDATE DRAWING	10/12/16	L.CHAN



- MATERIALS:**  
 PLASTIC HOUSING: ENGINEERING THERMOPLASTIC  
 FLAMMABILITY RATING UL 94V-0  
 CONTACTS: PHOSPHOR BRONZE  
 PLATING: REFER TO PART NUMBER FOR GOLD THICKNESS ON MATING SURFACES.  
 50 μ" [1.27 MICRONS] MIN. NICKEL UNDERPLATE  
 100 μ" [2.54 MICRONS] MIN. MATTE TIN ON CONTACT TAILS.

- MECHANICAL:**  
 MATING FORCE: 6.0 LBS MAX.  
 MATING CYCLES: 150

- ELECTRICAL:**  
 CONTACT RESISTANCE: 40 MILLIOHMS MAXIMUM  
 INSULATION RESISTANCE: 500 MEGOHMS MINIMUM  
 CURRENT RATING: 1.5 AMPS  
 VOLTAGE RATING: 150 VOLTS AC

- ENVIRONMENTAL:**  
 STORAGE TEMPERATURE: -20°C to 85°C  
 PACKAGING METHOD: TRAY PACKAGING

- MAXIMUM SAFE PROCESSING TEMPERATURE FOR CONNECTOR: 205°C
- UL FILE NUMBER:** E136228

AMPHENOL PART NUMBER: RJE03-188-0X10

- 1 = 06 μ" GOLD
- 2 = 15 μ" GOLD
- 3 = 30 μ" GOLD
- 4 = 50 μ" GOLD

UNLESS SPECIFIED OTHERWISE	DRAWN PAULW	DATE 05/12/16	Amphenol Canada Corp. www.amphenolcanada.com
PRIMARY UNITS INCH	CHECKED CHIGOW	05/12/16	
SECONDARY MILLIMETER	M.E. APP'D		TITLE
REFERENCE IN PARENTHESES	Q.A. APP'D		MODULAR JACK, 8 POSITION, 8 CONTACTS, WITHOUT SHIELD, (NO SIDE FLANGES, NO KEY) - RoHS COMPLIANT
GENERAL TOLERANCES	DWG APPR.		DWG. NO.
1 DECIMAL PLACE ±.020	ENG. REL. NO.		P-RJE03-188-0X10
2 DECIMAL PLACES ±.015	REF.		REV D
3 DECIMAL PLACES ±.010	THIRD ANGLE PROJECTION	DO NOT SCALE DRAWING	CODE ID NO. 03554 DWG SIZE: C SCALE: N/A SHEET 1 OF 1
ANGULAR DEGREES ±1.0°			

## X-ON Electronics

Largest Supplier of Electrical and Electronic Components

*Click to view similar products for [Modular Connectors](#) / [Ethernet Connectors](#) category:*

*Click to view products by [Amphenol](#) manufacturer:*

Other Similar products are found below :

[8949-H88/06BLKA/SN](#) [74441-0010/BKN](#) [MP1010RX-1000](#) [MP44RX-1000](#) [PHJ-4P4C-1-V-4](#) [PHP-6P6C-5](#) [GAX-3-66](#) [GAX-8-62](#) [GDCX-PA-66-50](#) [GDCX-PN-64](#) [GDCX-PN-66](#) [GDCX-PN-66-50](#) [GDLX-A-66](#) [GDLX-N-66](#) [GDLX-S-66](#) [GDLX-S-88K](#) [GDTX-S-88-50](#) [GDX-PA-1010](#) [GLX-N-1010M-BLK](#) [GLX-S-88M-BLK](#) [GMX-N-1010](#) [GMX-S-1010](#) [GMX-S-66](#) [GMX-SMT4-N-88](#) [GPX-2-64](#) [GSGX-N-2-88](#) [GSGX-N-4-88](#) [GSX-NS2-88-3.05-50](#) [PT-108A-8C-UL](#) [PT-J951-8C](#) [PTS-J531-8CS-50UL](#) [1-1775629-2](#) [A-2014-0-4](#) [GWLX-S-88-GR](#) [GWLX-S9-88-YG](#) [DC-1021-8-WH-6](#) [1300530003](#) [1324640-4](#) [RJ11FTVC2G](#) [RJ11FTVC2N](#) [RJFTVX2SA1G](#) [132764-001](#) [1413235](#) [MP88X-1000](#) [MPS88RX-5000](#) [MRJR-5481-0F2](#) [E5288-S000K3-L](#) [E5908-15A242-L](#) [155302-001](#) [AX100653](#)