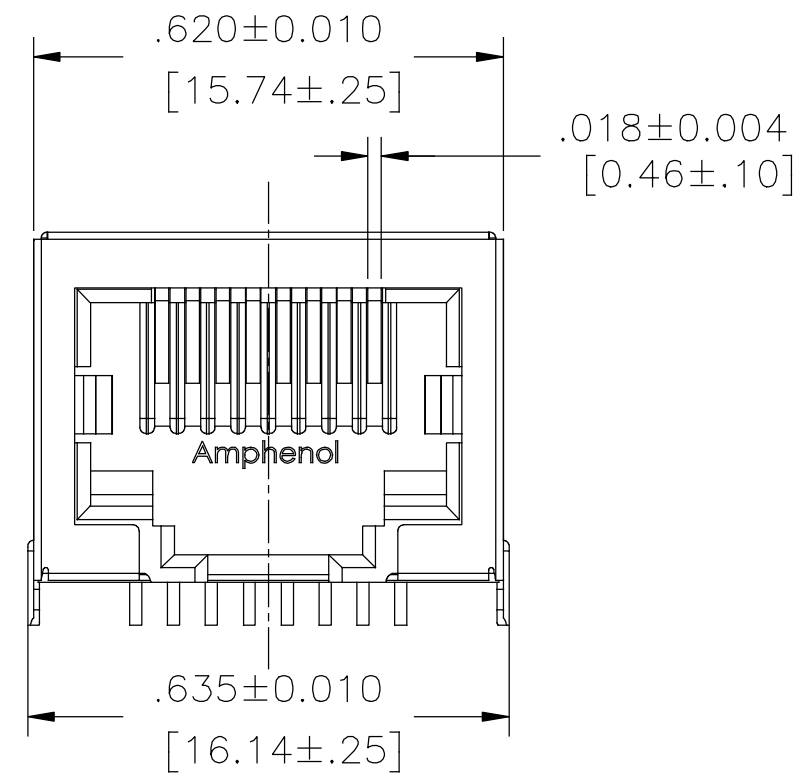
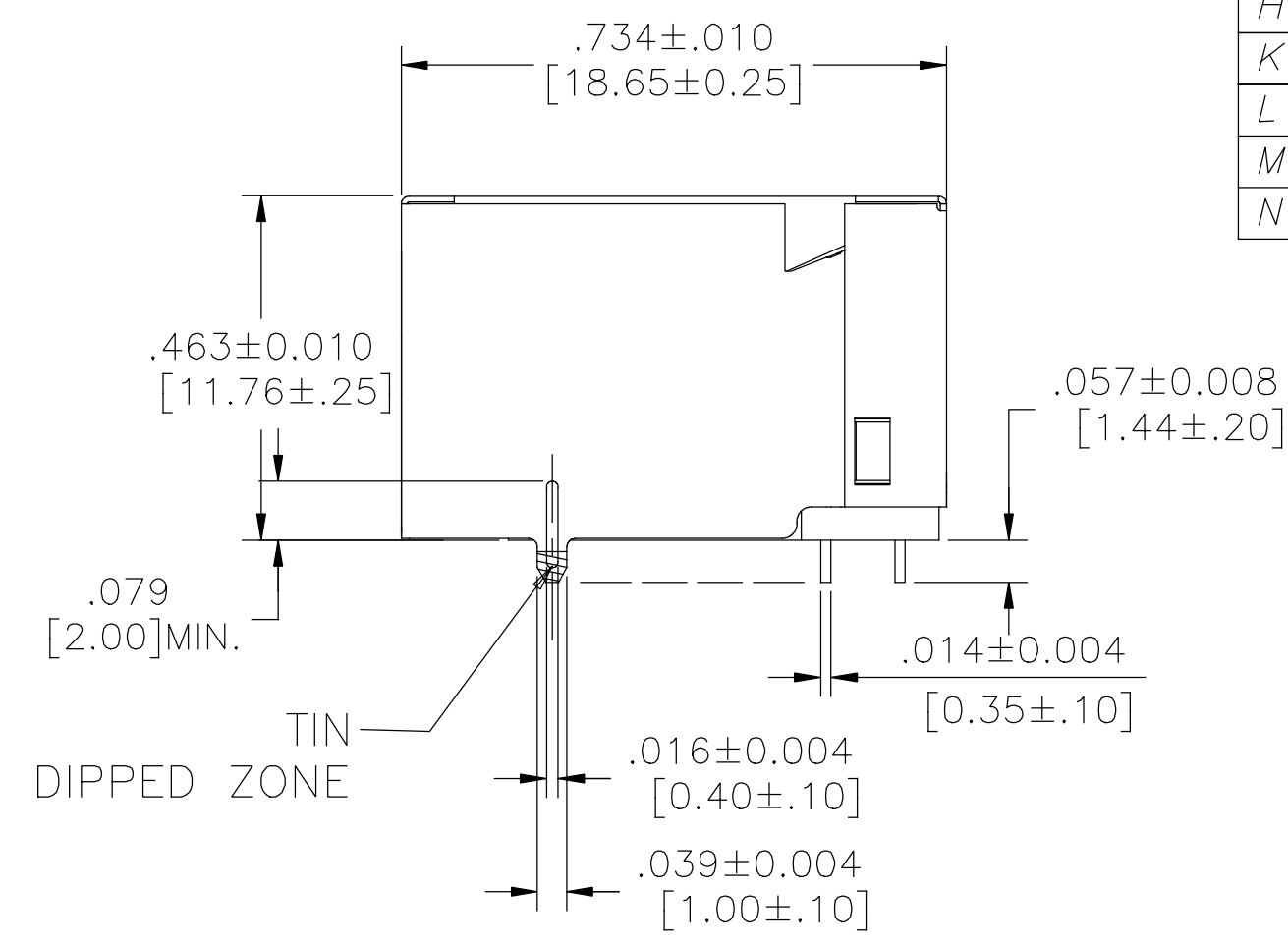


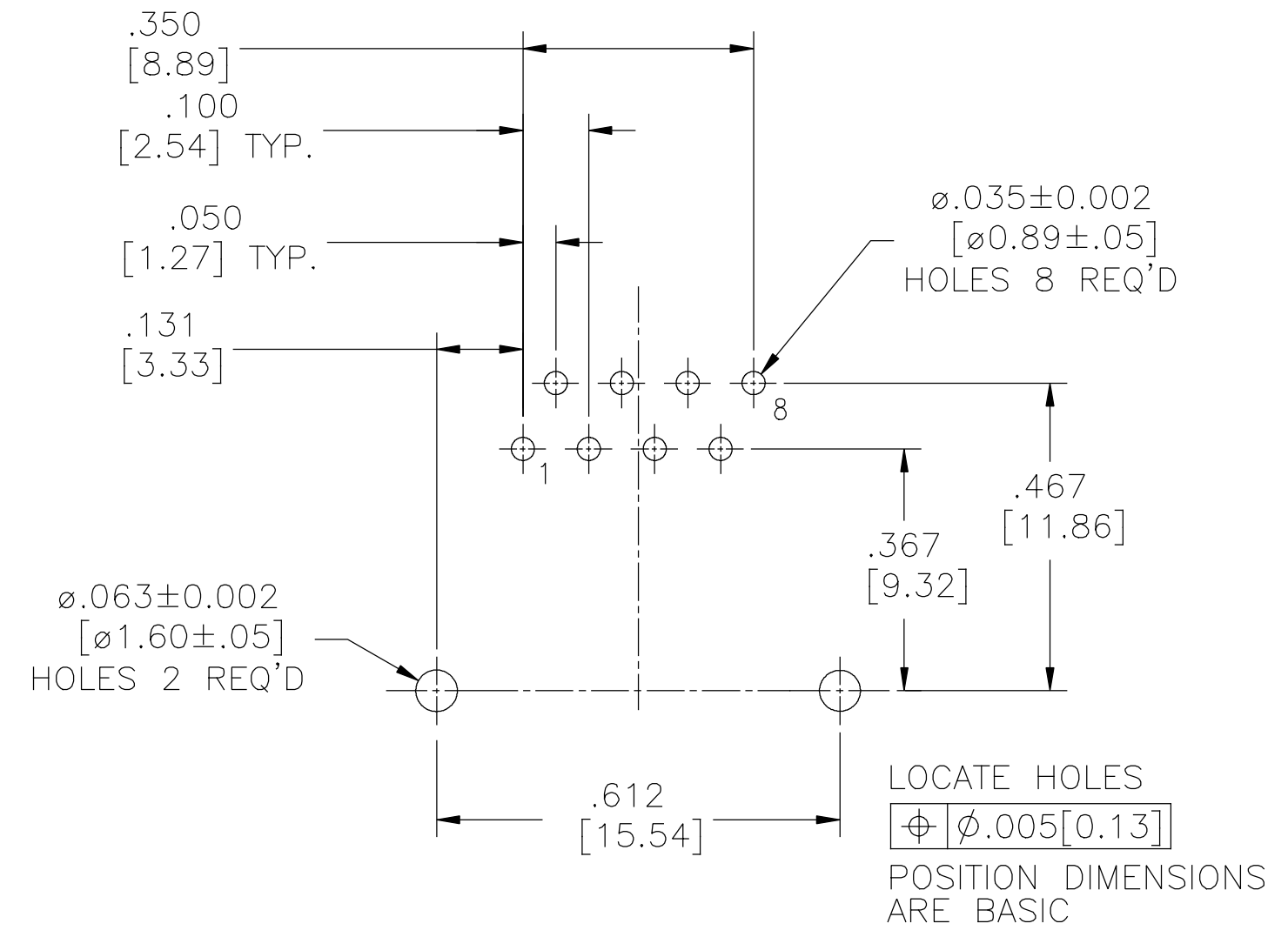
REVISIONS			
SYM	ECN, ERN NO.	DATE	APPRD.
H	PER ECN E07102	APR16/07	L.C.
K	PROPOSAL	OCT 30/08	L.C.
L	IMPROVE RETENTION FORCE	MAY10/13	L.C.
M	ADD PULL OUT FORCE SPEC	MAY14/13	L.C.
N	ADD DIM. 0.635	DEC06/13	L.C.



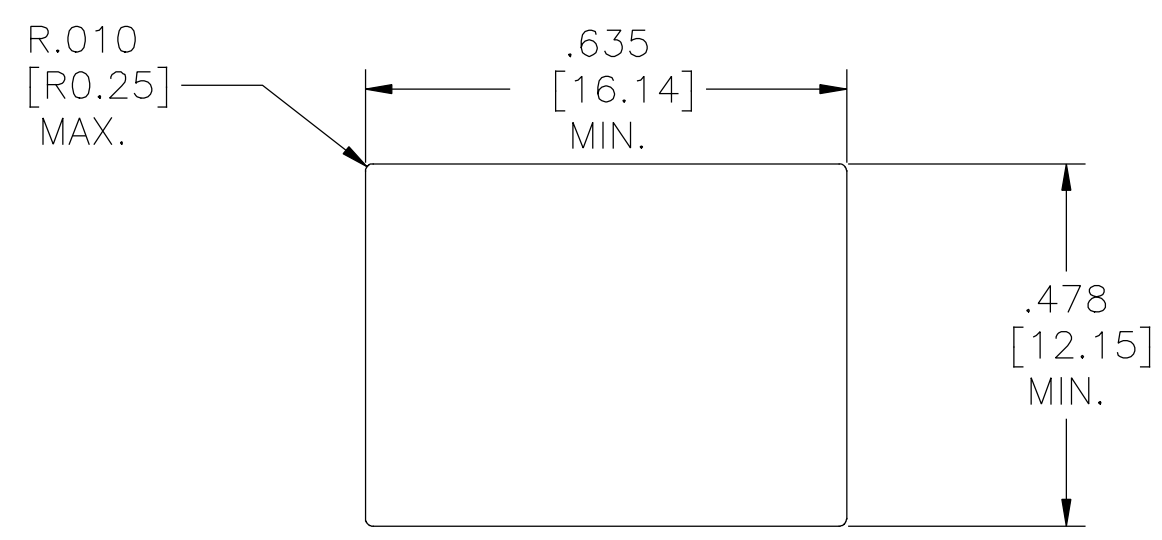
FRONT VIEW



SIDE VIEW



RECOMMENDED P.C.B. LAYOUT  
(COMPONENT SIDE OF BOARD)



RECOMMENDED PANEL CUTOUT

**MATERIALS:**

- HOUSING: HIGH TEMPERATURE THERMOPLASTIC  
FLAMMABILITY RATING UL94V-0.  
COLOR:BLACK
  - CONTACTS: PHOSPHOR BRONZE  
PLATING: 50 u" [1.27 MICRONS] GOLD  
ON MATING SURFACES.  
50 u" [1.27 MICRONS]  
MIN. NICKEL UNDERPLATE.  
100 u" [2.54 MICRONS]  
MIN. MATTE TIN OR GOLD FLASH ON CONTACT TAILS.
  - SHIELD: COPPER ALLOY  
PLATING: NICKEL PLATED WITH  
TIN DIPPED ON PCB TAIL
- SUITABLE FOR SOLDERING IN ACCORDANCE WITH JEDEC-020C STANDARD.  
PULL OUT FORCE FOR PLUG: 20 LBS MIN.

AMPHENOL PART NUMBER: RJE05-188-1417H

DRAWN	Chigow	DATE	MAY09,06
DESIGNED			
CHECKED	PAULW	DATE	MAY09,06
I. E. APPRD.	YM.LEE	DATE	FEB.27/07
Q. A. APPRD.			
DWG. APPRD.			
ENG. REL. NO.			
REF.			
DIMENSIONS ARE IN	CODE ID. NO.		
INCH[mm]	03554		

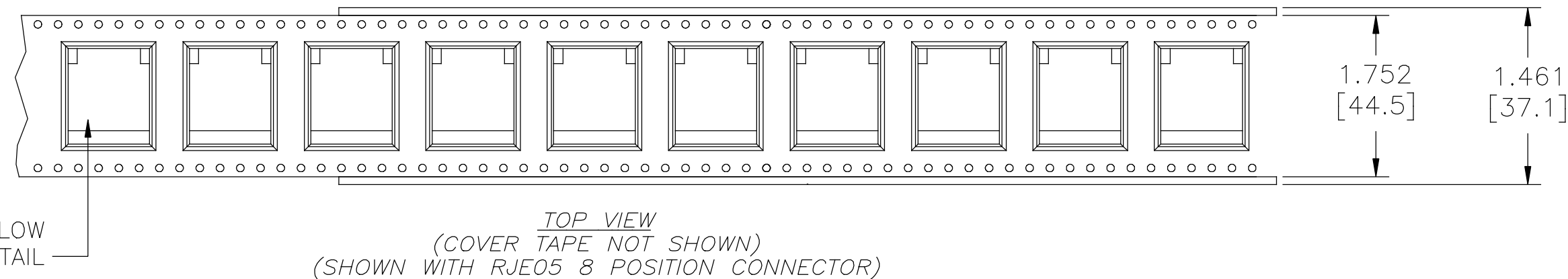
Amphenol Canada Corp.		
TITLE RJE05 SERIES MODULAR JACK, 8 POSITIONS, 8 CONTACTS, SHIELDED, HOUSING WITHOUT BOARDLOCK, SEPCIAL TAIL LENGTH .057", ULTRA LOW PROFILE, ,WITH T & R PACKAGE-RoHS COMPLIANT		
DWG	DRAWING NO.	REV.
	P-RJE05-188-1417H	N
SCALE	WT. -----	SURF. -----
		SHEET 1 OF 2

THIS DOCUMENT CONTAINS PROPRIETARY INFORMATION AND SUCH INFORMATION MAY NOT BE DISCLOSED TO OTHERS FOR ANY PURPOSE OR USED FOR MANUFACTURING PURPOSES WITHOUT WRITTEN PERMISSION FROM AMPHENOL CANADA CORP.



REVISIONS			
SYM	ECN, ERN NO.	DATE	APPRD.
H	PER ECN E07102	APR16/07	L.C.
K	PROPOSAL	OCT 30/08	L.C.
L	IMPROVE RETENTION FORCE	MAY10/13	L.C.
M	ADD PULL OUT FORCE SPEC	MAY14/13	L.C.
N	ADD DIM. 0.635	DEC06/13	L.C.

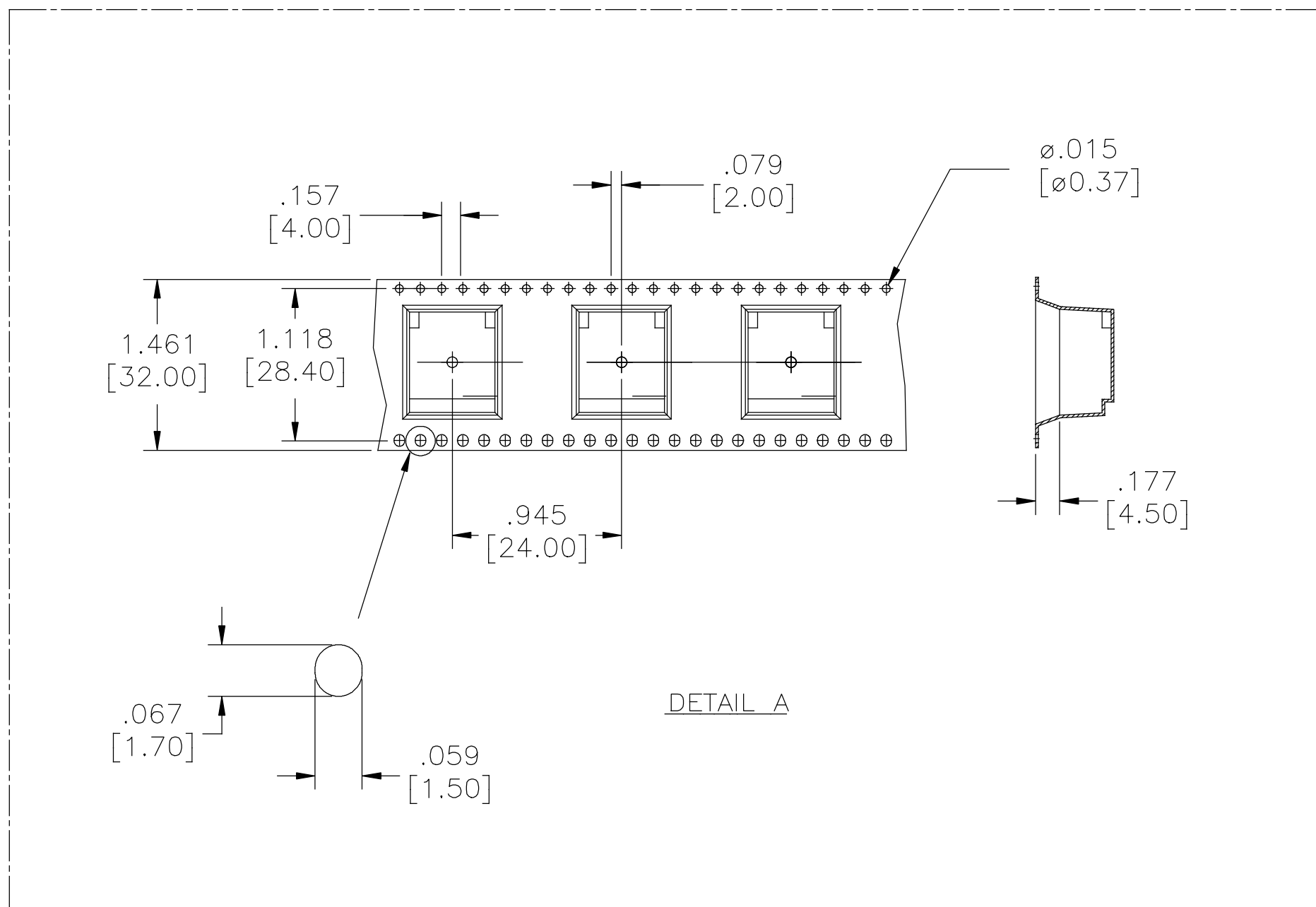
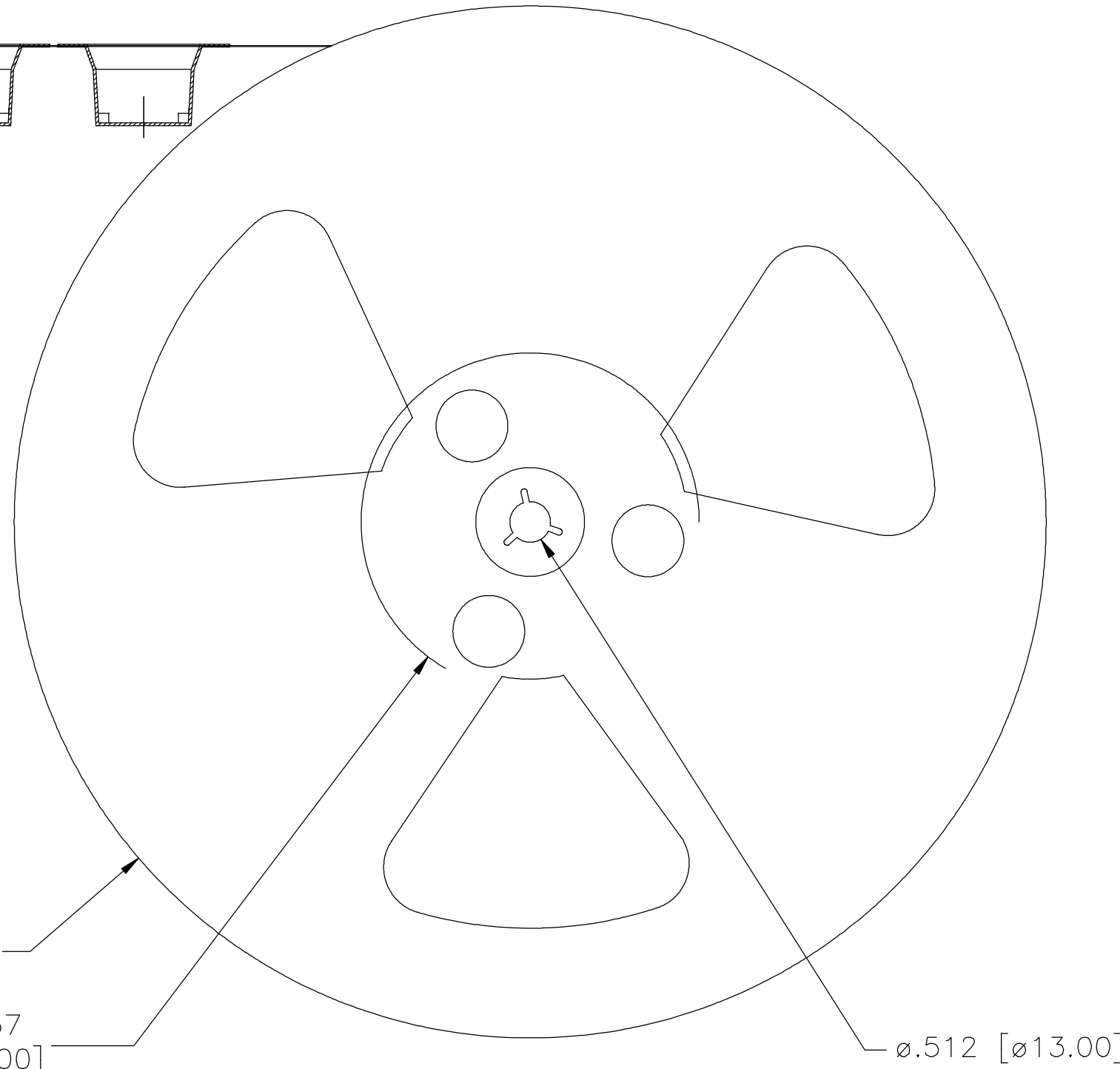
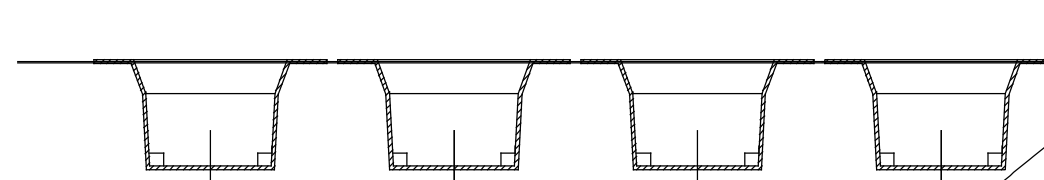
← DIRECTION OF CONNECTOR LOADED INTO MACHINE.  
LEADS FACING FRONT SIDE



SEE DETAIL 'A' BELOW  
FOR CARRIER TAPE DETAIL

PACKAGING NOTES:

- ONE REEL SHOULD HOLD 200 CONNECTORS.
- 25 EMPTY CAVITIES FOR CARRIER TAPE LEADER & 10 EMPTY CAVITIES FOR CARRIER TAPE TRAILER.
- A FULLY LOADED CARTON SHOULD CONTAIN 7 REELS ( PCS) OF CONNECTORS.



DRAWN	Chigow	DATE	MAY09,06
DESIGNED			
CHECKED	PAULW	DATE	MAY09,06
I. E. APPRD.	YM.LEE	DATE	FEB.27/07
Q. A. APPRD.			
DWG. APPRD.			
ENG. REL. NO.			
REF.			
DIMENSIONS ARE IN	CODE ID. NO.		
INCH[mm]	03554		

Amphenol Canada Corp.			
TITLE RJE05 SERIES MODULAR JACK, 8 POSITIONS, 8 CONTACTS, SHIELDED, HOUSING WITHOUT BOARDLOCK, SEPCIAL TAIL LENGHT .057", ULTRA LOW PROFILE, ,WITH T & R PACKAGE-RoHS COMPLIANT			
DWG	DRAWING NO.	REV.	
	P-RJE05-188-1417H	N	
SCALE	WT. -----	SURF. -----	SHEET 2 OF 2

THIS DOCUMENT CONTAINS PROPRIETARY INFORMATION AND SUCH INFORMATION  
MAY NOT BE DISCLOSED TO OTHERS FOR ANY PURPOSE OR USED FOR MANUFACTURING  
PURPOSES WITHOUT WRITTEN PERMISSION FROM AMPHENOL CANADA CORP.

## X-ON Electronics

Largest Supplier of Electrical and Electronic Components

*Click to view similar products for [Modular Connectors](#) / [Ethernet Connectors](#) category:*

*Click to view products by [Amphenol](#) manufacturer:*

Other Similar products are found below :

[8949-H88/06BLKA/SN](#) [74441-0010/BKN](#) [MP1010RX-1000](#) [MP44RX-1000](#) [PHJ-4P4C-1-V-4](#) [PHP-6P6C-5](#) [GAX-3-66](#) [GAX-8-62](#) [GDCX-PA-66-50](#) [GDCX-PN-64](#) [GDCX-PN-66](#) [GDCX-PN-66-50](#) [GDLX-A-66](#) [GDLX-N-66](#) [GDLX-S-66](#) [GDLX-S-88K](#) [GDTX-S-88-50](#) [GDX-PA-1010](#) [GLX-N-1010M-BLK](#) [GLX-S-88M-BLK](#) [GMX-N-1010](#) [GMX-S-1010](#) [GMX-S-66](#) [GMX-SMT4-N-88](#) [GPX-2-64](#) [GSGX-N-2-88](#) [GSGX-N-4-88](#) [GSX-NS2-88-3.05-50](#) [PT-108A-8C-UL](#) [PT-J951-8C](#) [PTS-J531-8CS-50UL](#) [1-1775629-2](#) [A-2014-0-4](#) [GWLX-S-88-GR](#) [GWLX-S9-88-YG](#) [DC-1021-8-WH-6](#) [1300530003](#) [1324640-4](#) [RJ11FTVC2G](#) [RJ11FTVC2N](#) [RJFTVX2SA1G](#) [132764-001](#) [1413235](#) [MP88X-1000](#) [MPS88RX-5000](#) [MRJR-5481-0F2](#) [E5288-S000K3-L](#) [E5908-15A242-L](#) [155302-001](#) [AX100653](#)