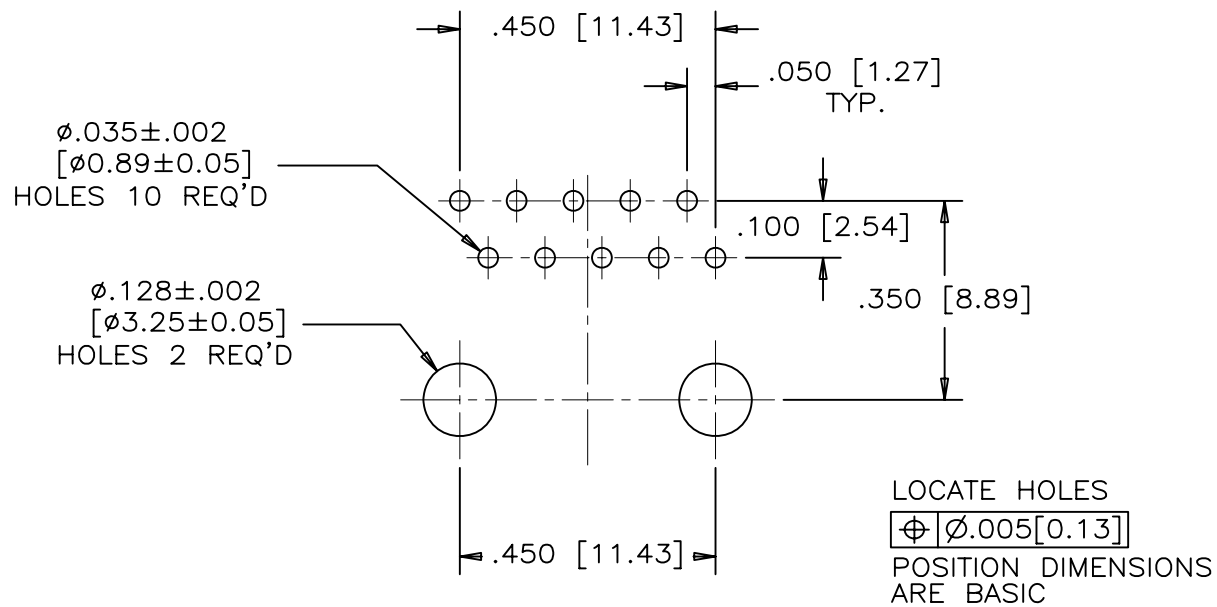
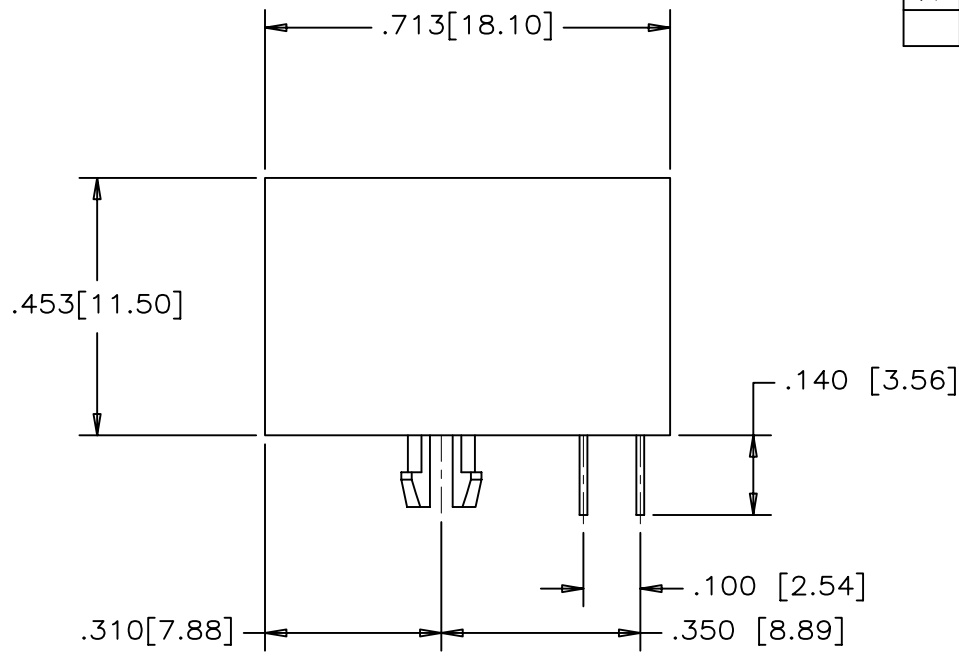
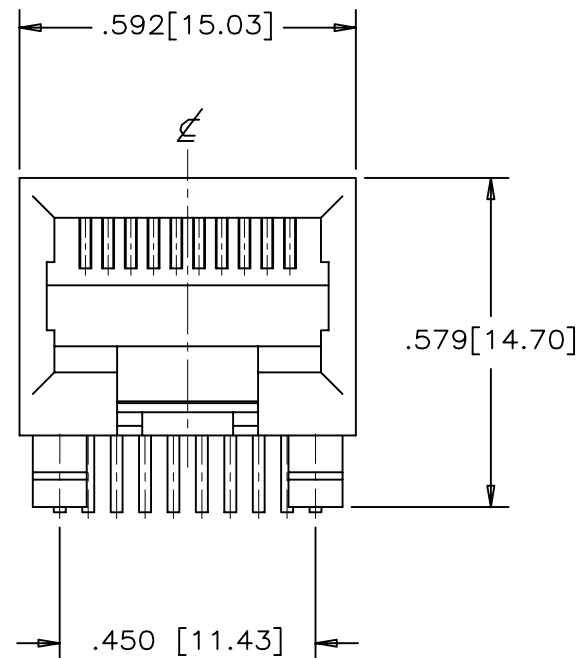


REVISIONS				
SYM	ZONE	ECN, ERN NO.	DATE	APPRD.
A		PROPOSAL	APR13/06	L.CHAN



RECOMMENDED P.C.B. LAYOUT  
(COMPONENT SIDE OF BOARD)

**MATERIALS:**

- HOUSING: ENGINEERING THERMOPLASTIC RATING UL94V-0  
COLOUR: BLACK
- CONTACTS: PHOSPHOR BRONZE
- PLATING: MATING AREA: SELECTIVELY PLATED GOLD-PER PART NUMBER OPTIONS  
50 MICROINCHS [1.27 MICRONS] MIN. NICKEL OVERALL  
100 MICROINCHS [2.54 MICRONS] MIN. MATTE-TIN OVER TAIL
- RECOMMENDED SOLDERING TEMPERATURE:  
WAVE SOLDERING AT 240°C MAXIMUM FOR 5 SEC MAXIMUM.

PART NUMBER: RJE05-1AA-0X10

- 1- 6μ" (0.15 MICRONS) GOLD
- 2- 15μ" (0.38 MICRONS) GOLD
- 3- 30μ" (0.78 MICRONS) GOLD
- 4- 50μ" (1.27 MICRONS) GOLD

DRAWN PAULW	DATE APR13/06	Amphenol Canada Corp.		
DESIGNED				
CHECKED CHIGOW	DATE APR13/06	TITLE SINGLE PORT MODULAR JACK, 10 POSITIONS, 10 CONTACTS - RoHS COMPLIANT		
I. E. APPRD.				
Q. A. APPRD.		DWG	DRAWING NO. P-RJE05-1AA-0X10	REV. A
DWG. APPRD.				
ENG. REL. NO.		SCALE	WT. -----	SURF. -----
REF. EAR # A060406		SHEET 1 OF 1		
DIMENSIONS ARE IN INCHES [mm]	CODE ID. NO. 03554			

THIS DOCUMENT CONTAINS PROPRIETARY INFORMATION AND SUCH INFORMATION MAY NOT BE DISCLOSED TO OTHERS FOR ANY PURPOSE OR USED FOR MANUFACTURING PURPOSES WITHOUT WRITTEN PERMISSION FROM AMPHENOL CANADA CORP.

## X-ON Electronics

Largest Supplier of Electrical and Electronic Components

*Click to view similar products for [Modular Connectors / Ethernet Connectors](#) category:*

*Click to view products by [Amphenol](#) manufacturer:*

Other Similar products are found below :

[8949-H88/06BLKA/SN](#) [74441-0010/BKN](#) [MP1010RX-1000](#) [MP44RX-1000](#) [PHJ-4P4C-1-V-4](#) [PHP-6P6C-5](#) [GAX-3-66](#) [GAX-8-62](#) [GDCX-PA-66-50](#) [GDCX-PN-64](#) [GDCX-PN-66](#) [GDCX-PN-66-50](#) [GDLX-A-66](#) [GDLX-N-66](#) [GDLX-S-66](#) [GDLX-S-88K](#) [GDTX-S-88-50](#) [GDX-PA-1010](#) [GLX-N-1010M-BLK](#) [GLX-S-88M-BLK](#) [GMX-N-1010](#) [GMX-S-1010](#) [GMX-S-66](#) [GMX-SMT4-N-88](#) [GPX-2-64](#) [GSGX-N-2-88](#) [GSGX-N-4-88](#) [GSX-NS2-88-3.05-50](#) [PT-108A-8C-UL](#) [PT-J951-8C](#) [PTS-J531-8CS-50UL](#) [1-1775629-2](#) [A-2014-0-4](#) [GWLX-S-88-GR](#) [GWLX-S9-88-YG](#) [DC-1021-8-WH-6](#) [1300530003](#) [1324640-4](#) [RJ11FTVC2G](#) [RJ11FTVC2N](#) [RJFTVX2SA1G](#) [132764-001](#) [1413235](#) [MP88X-1000](#) [MPS88RX-5000](#) [MRJR-5481-0F2](#) [E5288-S000K3-L](#) [E5908-15A242-L](#) [155302-001](#) [AX100653](#)