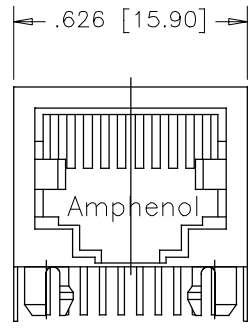
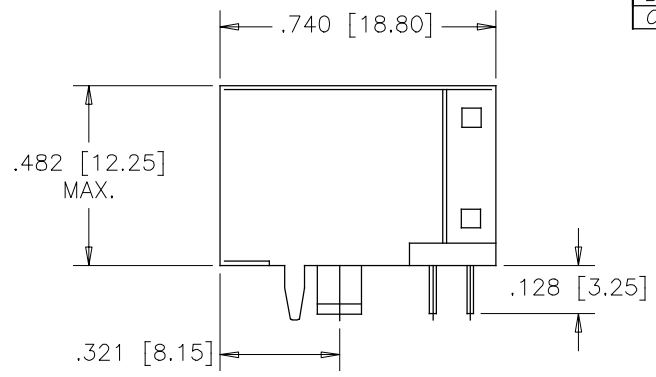


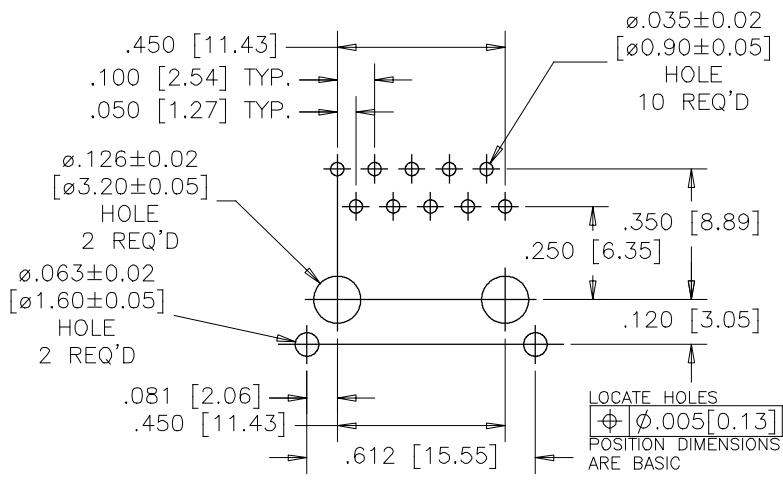
REVISIONS			
REV	DESCRIPTION, ECN, EAR NO.	DATE	APP'D
A	PROPOSAL	NOV 14/05	L.CHAN
B	PROPOSAL	OCT 09/06	L.CHAN
C	ADD UP AMPHENOL LOGO ACCORDING TO THE PRODUCTION	FEB 08/17	L.CHAN



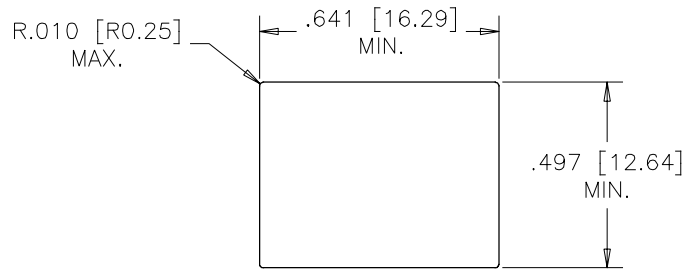
FRONT VIEW



SIDE VIEW



RECOMMENDED P.C.B. LAYOUT
(COMPONENT SIDE OF BOARD)



RECOMMENDED PANEL CUTOUT

NOTE:

HOUSING AND INSERT: ENGINEERING THERMOPLASTIC, FLAMMABILITY UL94V-0, COLOUR: BLACK

CONTACTS: PHOSPHOR BRONZE. GOLD PLATING: REFER TO AMPHENOL PART NUMBER SYSTEM FOR PLATING OPTIONS. 50 u" [1.27 MICRONS] MIN. NICKEL UNDERPLATE 100 u" [2.54 MICRONS] MIN. MATTE TIN ON CONTACT TAILS.

SHIELD: COPPER ALLOY PLATING: NICKEL OVER COPPER UNDERPLATED.

RECOMMENDED SOLDERING TEMPERATURE: WAVE SOLDERING OR REFLOW SOLDERING AT 240°C MAX. FOR 5 SEC MAX.

AMPHENOL PART NUMBER: RJE05-1AA-1X10

GOLD PLATING
1 = 6 uINCH
2 = 15 uINCH
3 = 30 uINCH
4 = 50 uINCH

UNLESS SPECIFIED OTHERWISE		DRAWN <i>Chigow Xu</i>	DATE <i>02/09/06</i>	Amphenol Canada Corp. www.amphenolcanada.com
PRIMARY UNITS INCH	CHECKED <i>L.CHAN</i>	DATE <i>02/09/06</i>	TITLE RJE05 SERIES MODULAR JACK, 10 POSITION, 10 CONTACTS, SHIELDED -RoHS COPLIANT	
SECONDARY MILLIMETER	M.E. APP'D			DWG. NO. P-RJE05-1AA-1X10
REFERENCE IN PARENTHESES	Q.A. APP'D			
GENERAL TOLERANCES	DWG APPR.			REV C
1 DECIMAL PLACE ±0.30	ENG. REL. NO.			
2 DECIMAL PLACES ±0.25	REF.			
3 DECIMAL PLACES ±0.20	THIRD ANGLE PROJECTION			
ANGULAR DEGREES ±1.0°	DO NOT SCALE DRAWING			

X-ON Electronics

Largest Supplier of Electrical and Electronic Components

Click to view similar products for [Modular Connectors / Ethernet Connectors](#) category:

Click to view products by [Amphenol](#) manufacturer:

Other Similar products are found below :

[8949-H88/06BLKA/SN](#) [74441-0010/BKN](#) [MP1010RX-1000](#) [MP44RX-1000](#) [PHJ-4P4C-1-V-4](#) [PHP-6P6C-5](#) [GAX-3-66](#) [GAX-8-62](#) [GDCX-PA-66-50](#) [GDCX-PN-64](#) [GDCX-PN-66](#) [GDCX-PN-66-50](#) [GDLX-A-66](#) [GDLX-N-66](#) [GDLX-S-66](#) [GDLX-S-88K](#) [GDTX-S-88-50](#) [GDX-PA-1010](#) [GLX-N-1010M-BLK](#) [GLX-S-88M-BLK](#) [GMX-N-1010](#) [GMX-S-1010](#) [GMX-S-66](#) [GMX-SMT4-N-88](#) [GPX-2-64](#) [GSGX-N-2-88](#) [GSGX-N-4-88](#) [GSX-NS2-88-3.05-50](#) [PT-108A-8C-UL](#) [PT-J951-8C](#) [PTS-J531-8CS-50UL](#) [1-1775629-2](#) [A-2014-0-4](#) [GWLX-S-88-GR](#) [GWLX-S9-88-YG](#) [DC-1021-8-WH-6](#) [1300530003](#) [1324640-4](#) [RJ11FTVC2G](#) [RJ11FTVC2N](#) [RJFTVX2SA1G](#) [132764-001](#) [1413235](#) [MP88X-1000](#) [MPS88RX-5000](#) [MRJR-5481-0F2](#) [E5288-S000K3-L](#) [E5908-15A242-L](#) [155302-001](#) [AX100653](#)