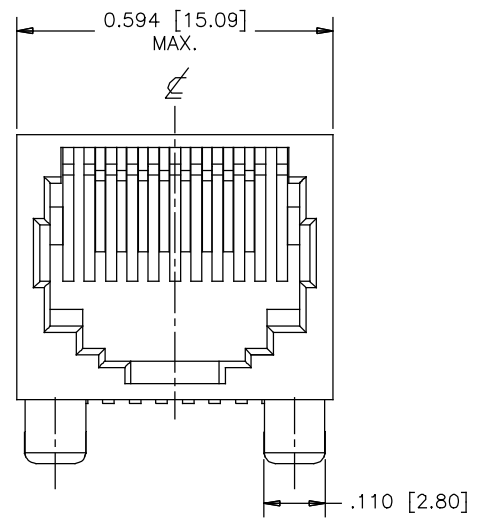
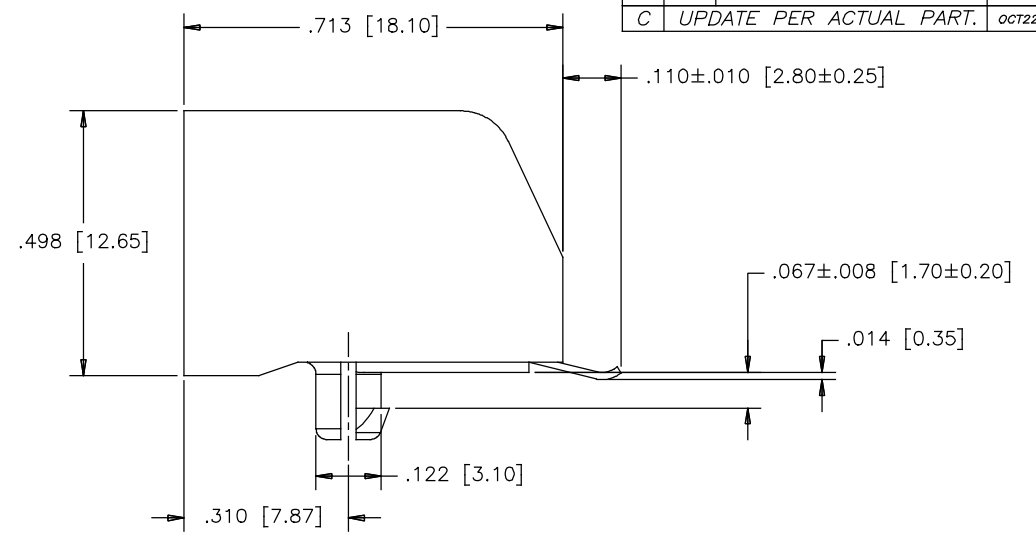


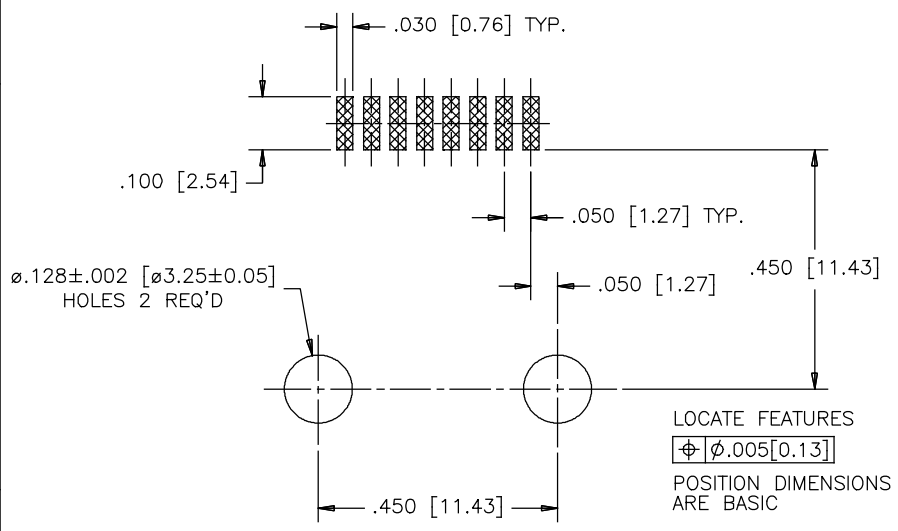
REVISIONS				
SYM	ZONE	ECN, ERN NO.	DATE	APPRD.
A		PROPOSAL	06/02/27	L.CHAN
B		PER ECN E07135	JUN 5/07	L.CHAN
C		UPDATE PER ACTUAL PART.	OCT22/15	L.CHAN



FRONT VIEW



SIDE VIEW



RECOMMENDED P.C.B. LAYOUT  
(COMPONENT SIDE OF BOARD)

LOCATE FEATURES  
 $\phi .005 [0.13]$   
 POSITION DIMENSIONS ARE BASIC



**MATERIALS:**

HOUSING: HIGH TEMPERATURE THERMOPLASTIC  
 FLAMMABILITY RATING UL94V-0  
 COLOR: BLACK

CONTACTS: PHOSPHOR BRONZE

PLATING: MATING AREA: SELECTIVELY PLATED GOLD-PER  
 PART NUMBER OPTIONS  
 50 MICROINCH [1.27 MICRONS] MIN. NICKEL OVERALL  
 100 MICROINCH [2.54 MICRONS] MIN. MATTE TIN  
 OR GOLD FLASH OVER TAIL

AMPHENOL PART NUMBER: RJE07-188-0X10

- GOLD PLATING**
- 1 = 06 MICROINCH
  - 2 = 15 MICROINCH
  - 3 = 30 MICROINCH
  - 4 = 50 MICROINCH

DRAWN PAULW	DATE 06/02/27
DESIGNED	
CHECKED CHIGOW	06/02/27
I. E. APPRD. JEFF.S	JUN 5/07
Q. A. APPRD. KENT.Y	JUN 5/07
DWG. APPRD.	
ENG. REL. NO. E07135	
REF.	
DIMENSIONS ARE IN inches (mm)	CODE ID. NO. 03554

Amphenol Canada Corp.			
TITLE RJE07 SURFACE MOUNT MODULAR JACK 8 POSITION, 8 CONTACTS, WITHOUT SHIELD, WITHOUT FLANGE AND WITHOUT KEY - RoHS COMPLIANT			
DWG	DRAWING NO.	REV.	
	P-RJE07-188-0X10	C	
SCALE	WT. -----	SURF. -----	SHEET 1 OF 1

THIS DOCUMENT CONTAINS PROPRIETARY INFORMATION AND SUCH INFORMATION MAY NOT BE DISCLOSED TO OTHERS FOR ANY PURPOSE OR USED FOR MANUFACTURING PURPOSES WITHOUT WRITTEN PERMISSION FROM AMPHENOL CANADA CORP.

## X-ON Electronics

Largest Supplier of Electrical and Electronic Components

*Click to view similar products for [Modular Connectors](#) / [Ethernet Connectors](#) category:*

*Click to view products by [Amphenol](#) manufacturer:*

Other Similar products are found below :

[8949-H88/06BLKA/SN](#) [74441-0010/BKN](#) [MP1010RX-1000](#) [MP44RX-1000](#) [PHJ-4P4C-1-V-4](#) [PHP-6P6C-5](#) [GAX-3-66](#) [GAX-8-62](#) [GDCX-PA-66-50](#) [GDCX-PN-64](#) [GDCX-PN-66](#) [GDCX-PN-66-50](#) [GDLX-A-66](#) [GDLX-N-66](#) [GDLX-S-66](#) [GDLX-S-88K](#) [GDTX-S-88-50](#) [GDX-PA-1010](#) [GLX-N-1010M-BLK](#) [GLX-S-88M-BLK](#) [GMX-N-1010](#) [GMX-S-1010](#) [GMX-S-66](#) [GMX-SMT4-N-88](#) [GPX-2-64](#) [GSGX-N-2-88](#) [GSGX-N-4-88](#) [GSX-NS2-88-3.05-50](#) [PT-108A-8C-UL](#) [PT-J951-8C](#) [PTS-J531-8CS-50UL](#) [1-1775629-2](#) [A-2014-0-4](#) [GWLX-S-88-GR](#) [GWLX-S9-88-YG](#) [DC-1021-8-WH-6](#) [1300530003](#) [1324640-4](#) [RJ11FTVC2G](#) [RJ11FTVC2N](#) [RJFTVX2SA1G](#) [132764-001](#) [1413235](#) [MP88X-1000](#) [MPS88RX-5000](#) [MRJR-5481-0F2](#) [E5288-S000K3-L](#) [E5908-15A242-L](#) [155302-001](#) [AX100653](#)