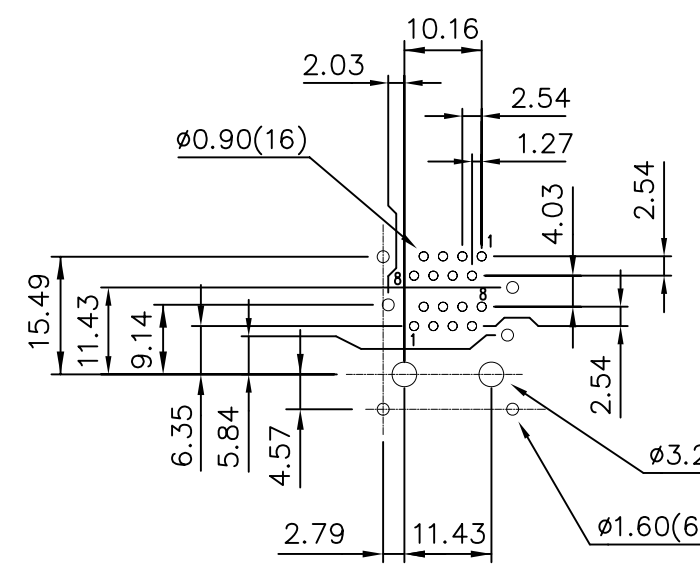
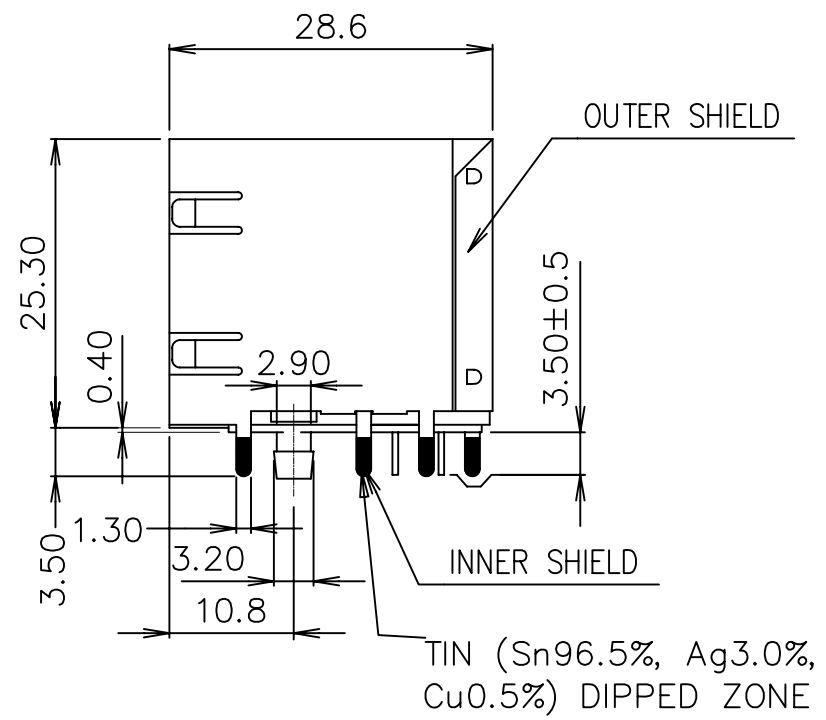
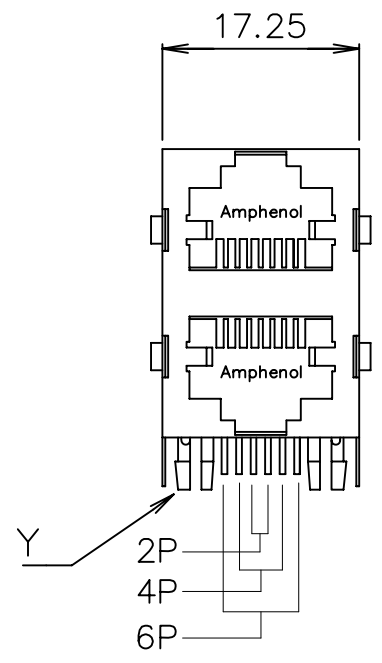
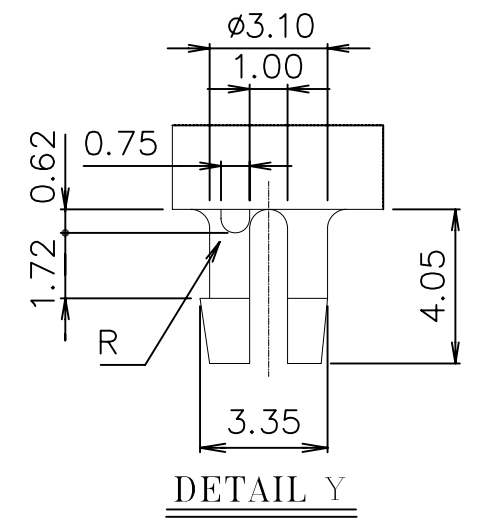
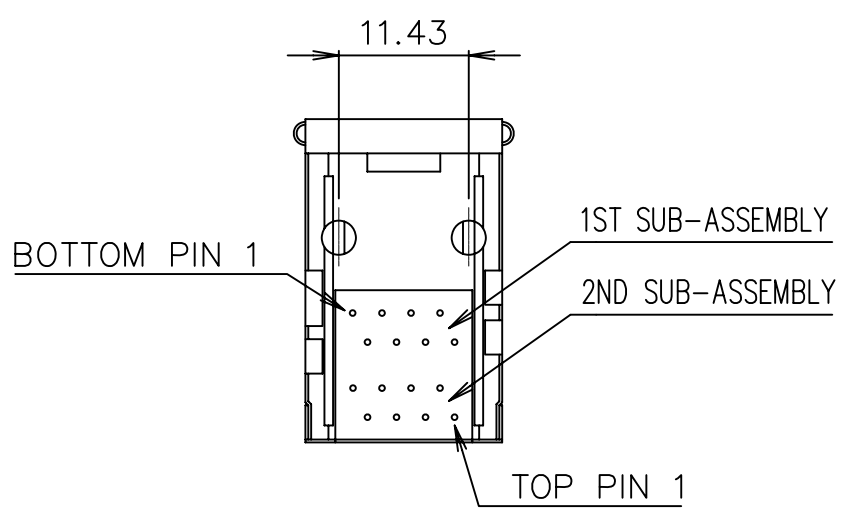


REVISIONS				
SYM	ZONE	ECN, ERN NO.	DATE	APPRD.
A		PROPOSAL	AUG10/06	L.CHAN
B		ADD TIN DIPPED	SEP06/06	L.CHAN
C		CHANGE UNIT	SEP08/06	L.CHAN



LOCATE HOLES
 $\varnothing 0.13$
 HOLES DIMENSIONS ARE BASIC

RECOMMENDED P.C.B. LAYOUT
 (COMPONENT SIDE OF BOARD)



MATERIALS:
 CONTACTS: PHOSPHOR BRONZE, SELECTIVELY PLATED
 REFER TO P/N FOR GOLD THICKNESS ON MATING AREAS.
 50 MICRO" MIN. NICKEL OVERALL.
 GOLD FLASH ON CONTACT TAILS.

HOUSING: HIGH TEMPERATURE THERMOPLASTIC
 COLOUR - BLACK, FLAMMABILITY RATING UL 94V-0

SHIELD: COPPER ALLOY WITH NICKEL PLATED AND TIN (Sn96.5%, Ag3.0%, Cu0.5%)
 DIPPED PCB TAILS

RECOMMENDED SOLDERING TEMPERATURE:
 WAVE SOLDERING OR REFLOW SOLDERING AT 260°C MAXIMUM
 FOR 5 SEC MAXIMUM

AMPHENOL PART NO.: R J E 11 - 1 8 8 - 1 X 1 0 H

- GOLD PLATING**
- 1 = 6 μ" GOLD
 - 2 = 15 μ" GOLD
 - 3 = 30 μ" GOLD
 - 4 = 50 μ" GOLD

HIGH TEMPERATURE MATERIAL

DRAWN PWANG	DATE AUG10/06	Amphenol Canada Corp.		
DESIGNED				
CHECKED CHIGOW	DATE AUG10/06	TITLE STACKABLE MODULAR JACK		
I. E. APPRD.		2X1 PORT, SHIELD, 8 POS., 8 CONTACTS,		
Q. A. APPRD.		- RoHS COMPLIANT		
DWG. APPRD.		DWG	DRAWING NO.	REV.
ENG. REL. NO.			P-RJE11-188-1X10-H	C
REF.		SCALE	WT. -----	SURF. -----
DIMENSIONS ARE IN mm	CODE ID. NO. 03554			SHEET 1 OF 1

THIS DOCUMENT CONTAINS PROPRIETARY INFORMATION AND SUCH INFORMATION
 MAY NOT BE DISCLOSED TO OTHERS FOR ANY PURPOSE OR USED FOR MANUFACTURING
 PURPOSES WITHOUT WRITTEN PERMISSION FROM AMPHENOL CANADA CORP.

X-ON Electronics

Largest Supplier of Electrical and Electronic Components

Click to view similar products for [Modular Connectors](#) / [Ethernet Connectors](#) category:

Click to view products by [Amphenol](#) manufacturer:

Other Similar products are found below :

[8949-H88/06BLKA/SN](#) [74441-0010/BKN](#) [MP1010RX-1000](#) [MP44RX-1000](#) [PHJ-4P4C-1-V-4](#) [PHP-6P6C-5](#) [GAX-3-66](#) [GAX-8-62](#) [GDCX-PA-66-50](#) [GDCX-PN-64](#) [GDCX-PN-66](#) [GDCX-PN-66-50](#) [GDLX-A-66](#) [GDLX-N-66](#) [GDLX-S-66](#) [GDLX-S-88K](#) [GDTX-S-88-50](#) [GDX-PA-1010](#) [GLX-N-1010M-BLK](#) [GLX-S-88M-BLK](#) [GMX-N-1010](#) [GMX-S-1010](#) [GMX-S-66](#) [GMX-SMT4-N-88](#) [GPX-2-64](#) [GSGX-N-2-88](#) [GSGX-N-4-88](#) [GSX-NS2-88-3.05](#) [GSX-NS2-88-3.05-50](#) [GSX-NS-88-3.68](#) [PT-108A-8C-UL](#) [PT-J951-8C](#) [PTS-J531-8CS-50UL](#) [1-1775629-2](#) [A-2014-0-4](#) [GWLX-S-88-GR](#) [GWLX-S9-88-YG](#) [DC-1021-8-WH-6](#) [1300530003](#) [1324640-4](#) [RJ11FTVC2G](#) [RJ11FTVC2N](#) [RJFTVX2SA1G](#) [132764-001](#) [1413235](#) [MP88X-1000](#) [MPS88RX-5000](#) [MRJR-5481-0F2](#) [E5288-S000K3-L](#) [E5908-15A242-L](#)