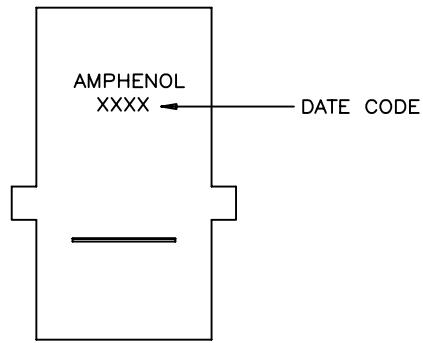
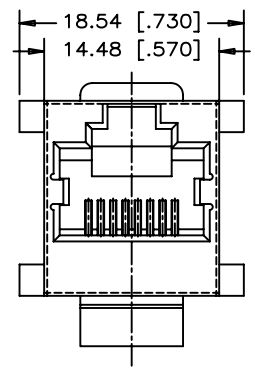


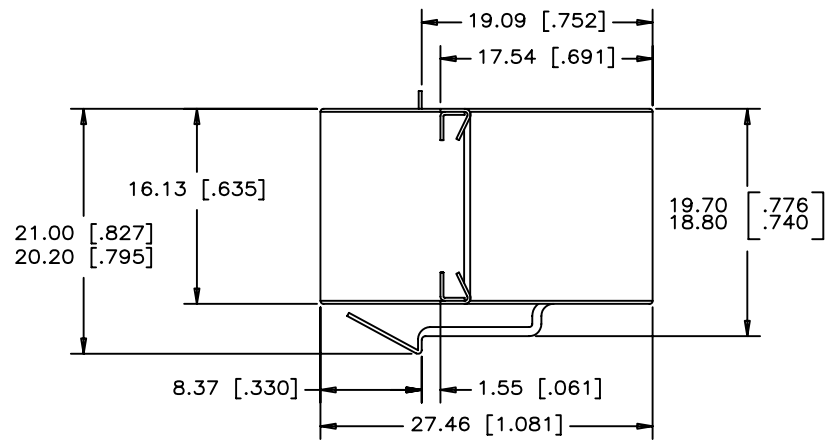
REVISIONS			
SYM	ECN, ERN NO.	DATE	APPRD.
A	PROPOSAL	05/12/21	LCHAN



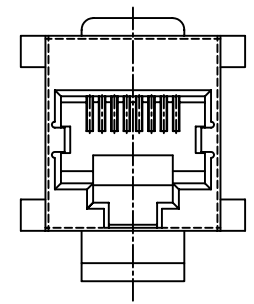
TOP VIEW



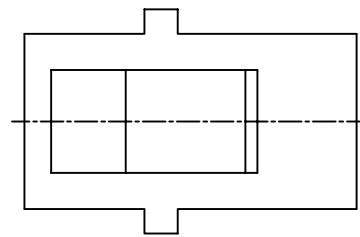
FRONT VIEW



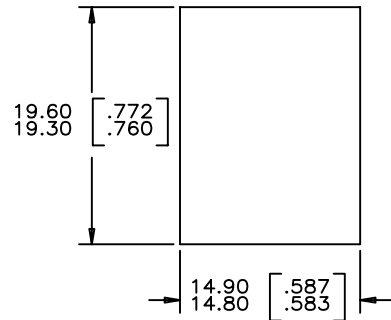
SIDE VIEW



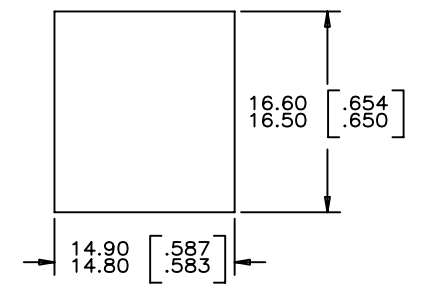
REAR VIEW



BOTTOM VIEW



SINGLE PANEL - LATCH CLEARANCE
PANEL THICKNESS 1.57 [.062]



RECOMMENDED CUTOUT FOR JACK
CLEARANCE WITHOUT LATCH FEATURE

MATERIALS:
 HOUSING: HIGH TEMPERATURE THERMOPLASTIC
 FLAMMABILITY RATING UL 94V-0.
 COLOUR: BLACK
 SHIELD: STAINLESS STEEL.
 CONTACT: PHOSPHOR BRONZE.
 PLATING: 6 u" GOLD ON MATING SURFACES
 50 u"[1.27 MICRONS]MIN. NICKEL UNDERPLATE.
 100 u"[2.54 MICRONS] MIN. MATTE TIN OR GOLD
 FLASH ON CONTACT TAILS.

AMPHENOL PART NUMBER: RJE17-288-1121

UNLESS OTHERWISE SPECIFIED TOLERANCES ARE ±0.25 mm

MATERIAL -----	DRAWN <i>Chigow</i>	DATE 05/12/22
	DESIGNED	
FINISH -----	CHECKED <i>PAULW</i>	05/12/22
	I. E. APPRD.	
	Q. A. APPRD.	
	DWG. APPRD.	
	ENG. REL. NO.	
	REF.	
	DIMENSIONS ARE IN	CODE ID. NO.
	mm [INCHES]	03554

Amphenol Canada Corp.		
TITLE MODULAR COUPLER JACK, 8 POSITION, 8 CONTACTS, WITH SHIELD, WITH FLANGE (WITH PANEL LATCH)-RoHS COMPLIANT		
DWG C	DRAWING NO. P-RJE17-288-1121	REV. A
SCALE 3/1	WT. _____	SURF. _____
SHEET 1 OF 1		

THIS DOCUMENT CONTAINS PROPRIETARY INFORMATION AND SUCH INFORMATION MAY NOT BE DISCLOSED TO OTHERS FOR ANY PURPOSE OR USED FOR MANUFACTURING PURPOSES WITHOUT WRITTEN PERMISSION FROM AMPHENOL CANADA CORP.

X-ON Electronics

Largest Supplier of Electrical and Electronic Components

Click to view similar products for [Modular Connectors](#) / [Ethernet Connectors](#) category:

Click to view products by [Amphenol](#) manufacturer:

Other Similar products are found below :

[8949-H88/06BLKA/SN](#) [74441-0010/BKN](#) [MP1010RX-1000](#) [MP44RX-1000](#) [PHJ-4P4C-1-V-4](#) [PHP-6P6C-5](#) [GAX-3-66](#) [GAX-8-62](#) [GDCX-PA-66-50](#) [GDCX-PN-64](#) [GDCX-PN-66](#) [GDCX-PN-66-50](#) [GDLX-A-66](#) [GDLX-N-66](#) [GDLX-S-66](#) [GDLX-S-88K](#) [GDTX-S-88-50](#) [GDX-PA-1010](#) [GLX-N-1010M-BLK](#) [GLX-S-88M-BLK](#) [GMX-N-1010](#) [GMX-S-1010](#) [GMX-S-66](#) [GMX-SMT4-N-88](#) [GPX-2-64](#) [GSGX-N-2-88](#) [GSGX-N-4-88](#) [GSX-NS2-88-3.05-50](#) [PT-108A-8C-UL](#) [PT-J951-8C](#) [PTS-J531-8CS-50UL](#) [1-1775629-2](#) [A-2014-0-4](#) [GWLX-S-88-GR](#) [GWLX-S9-88-YG](#) [DC-1021-8-WH-6](#) [1300530003](#) [1324640-4](#) [RJ11FTVC2G](#) [RJ11FTVC2N](#) [RJFTVX2SA1G](#) [132764-001](#) [1413235](#) [MP88X-1000](#) [MPS88RX-5000](#) [MRJR-5481-0F2](#) [E5288-S000K3-L](#) [E5908-15A242-L](#) [155302-001](#) [AX100653](#)