

# Amphenol MODULAR JACKS

PRODUCT CATALOGUE



*Now You're Connected!*

# Amphenol

## The Company

Amphenol Commercial Products Group of Amphenol Canada Corp., a subsidiary of Amphenol Corporation, is an ISO 9001 certified facility located in Toronto, Canada. Our activities are dedicated to the design, development, and manufacturing of interconnect products intended for use in the data communications and telecommunications markets. Our expertise in understanding and supporting our customers' interconnect needs has earned Amphenol Canada a reputation of quality and excellence among the world's leading users of electronic components.

## About the Catalogue

This modular jack catalogue represents some of our more popular products within this product category. Other product categories include, but is not limited to: D-Sub, Micro-Ribbon, USB, Headers and Sockets, CoolPower connectors, VHDCI, Capacitively Decoupled BNC, filtered connectors (D-Subs and micro-ribbon), and rugged connectors (RJ, USB, D-Subs, and bulkhead adapters).

All of our modular jacks are RoHS compliant.

All drawings in this document are measured in inches [mm], unless otherwise indicated.







**Notice:** Specifications are subject to change without notice. Contact your nearest Amphenol sales office for the latest specifications. All statements, information, and data given herein are believed to be accurate and reliable, but are presented without guarantee, warranty, or responsibility of any kind, expressed, or implied. Statements or suggestions concerning possible use of our products are made without representation or warranty that any such use is free of patent infringement, and are not recommended to infringe any patent. The user should not assume that all safety measures are indicated or that other measures may not be required. Amphenol and RJ vista are registered trademarks.


# Contents

## Right Angle (Side Entry)

### ▶ THROUGH-HOLE

RJHSE:	Tab Up, Multiport		3-6
RJE37:	Tab Up, Single Port, Low Profile		7-8
RJESE:	Tab Up, RJ45 & RJ11, Standard Profile		9-11
RJE01:	Tab Up, RJ11 (Six Position)		12-13
RJSBE:	Tab Down, 1, 2 and 4 Port		14-16
FRJAE:	Tab Down, Filtered and Shielded		17-19
RJE02:	Tab Down, Single Port, High Profile		20-21
RJE03:	Tab Down, Single Port, Low Profile		22-23
RJE05:	Tab Down, Ultra Low Profile		24-25
RJE09:	Tab Down, Standard Profile		26-28
RJULE:	Tab Down, Recessed, Low Profile		29-30
RJE73:	Tab Down, Single Port, Low Profile		31-32



### ▶ SURFACE MOUNT

RJSSE:	Tab Up, with Light Pipes		33-35
RJCSE:	Tab Up, Standard Profile		36-37
RJLSE:	Tab Down, Ultra Low Profile		38-39
RJE07:	Tab Down, Single Port		40-41
RJE15:	Tab Down, Single Port, Low Profile		42-43



### ▶ PRESS FIT

RJE56:	Tab Down, RJ45		44-45
--------	----------------	--	-------




## Stacked

RJSAE:	2, 4 & 8 Ports with Shield Options		58-60
RJSNE:	4 over 4 Ports with Shield Options		61-62




## Vertical (Top Entry)

RJHSE:	Single Port, Standard Profile		3-6
RJE06:	Single Port, Slim Profile		46-47
RJE08:	Single Port, Standard Profile		48-49
RJE23:	Single Port, Surface Mount		50-51
RJE74:	Single Port, Standard Profile		52-53
RJE88:	Single Port, Low Profile		54-55
RJE1J:	Single Port, Narrow Profile		56-57

## Category 5e

RJE48:	Right Angled, Low Profile		63-64
RJE58:	Right Angled, Standard Profile		65-67
RJE72:	Right Angled, Recessed, Low Profile		68-69

## Category 6

RJE45:	Single Port, Low Profile		70-71
RJE59:	Right Angled, Standard Profile		72-74
RJE71:	Right Angled, Recessed, Low Profile		75-76

## Category 6A

RJE60:	Right Angled, Standard Profile		77-79
--------	--------------------------------	---	-------

## Accessories

RJE17:	RJ45 Coupler		80-81
LED Options			82
FRJ-2411:	RJ45 Dust Cover*		
FRJ-2611:	RJ11 Dust Cover*		

Note:  Denotes LEDs are available for connectors in the series

\*For more information on our dust covers, please visit our website [www.amphenolcanada.com](http://www.amphenolcanada.com) or email us at [sales@amphenolcanada.com](mailto:sales@amphenolcanada.com)

# RJHSE

TAB UP, MULTIPOINT, WITH LEDs

## TAB UP, MULTIPOINT, WITH LEDs

A series of EMI Quiet Modular Jack connectors with built-in LEDs. This product is ideal for LAN applications such as adapter cards and routers. Shielded and non-shielded versions are available, with a variety of LED colors and ports.



## SPECIFICATIONS

### Material

<b>Insulator:</b>	High temp. thermoplastic; Complies with UL 94V-0; Black
<b>Contacts:</b>	Phosphor bronze hard temper with gold thickness options (6μ", 15μ", 30μ", 50μ") over 50μ" min. nickel on contact mating area; 100μ" min. matte tin plating on soldering tail
<b>Shield:</b>	Stainless steel with tin dipped tails
<b>LED:</b>	Tin plating on LED tails

### Mechanical

<b>Insertion Force:</b>	5 lbs max.
<b>Pull Retention Force:</b>	20 lbs min.
<b>Durability:</b>	750 mating & unmating cycles
<b>Redcommended</b>	
<b>Soldering Temperature:</b>	Wave soldering peaked at 260°C for 5 secs max.
<b>Operating Temperature:</b>	-55°C to + 85°C
<b>UL File #:</b>	E135615
<b>CSA File #:</b>	LR685398

\*Note: Connectors without LEDs are suitable for IR Reflow

### Electrical

<b>Contact resistance:</b>	20 mΩ max.
<b>Insulation resistance:</b>	500 MΩ min. at 500V DC for 2 mins max.
<b>Current Rating:</b>	1.5 Amps per contact
<b>Voltage Rating:</b>	125 Volts AC
<b>DWV:</b>	1000 VAC, 60 Hz. 1 min.

<b>Standard LEDs:</b>	For 5.0 V Systems
<b>Forward Voltage:</b>	2.1 Volts typical
<b>Reverse Voltage:</b>	6 Volts min.
<b>Luminous Intensity:</b>	0.5 mcd min. at 2mA

<b>Low Current LEDs:</b>	For 3.3 V Systems
<b>Forward Voltage:</b>	2 Volts typical
<b>Reverse Voltage:</b>	6 Volts min.
<b>Luminous Intensity:</b>	1 mcd min. at 2mA

## ORDERING INFORMATION

RJHSE - X X X X - XX

### Version

- 3 - Vertical mount, 8 positions, 30μ" gold plating
- 5 - Right angle, 8 positions, 50μ" gold plating
- 7 - Right angle, 6 positions, 50μ" gold plating
- L - Right angle, low profile, 8 positions, 50μ" gold plating
- N - Vertical mount, 8 positions, 50μ" gold plating

### Shield Options

- 0 - No shield
- 3 - Shield with top and side tabs (single port has top tabs only)
- 4 - For single port only: Shield with top and side tabs
- F - Shield without top, side or bottom tabs
- P - Shield with top & bottom tabs, for vertical mount connector

### Number of Ports

- Blank - 1 Port
- 02 - 2 Ports
- 04 - 4 Ports
- 06 - 6 Ports
- 08 - 8 Ports

### LED Options

Click to view page 82 for options

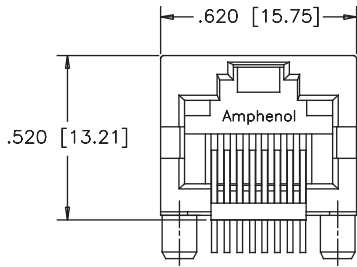
### Number of Contacts

- 4 - 4 Contacts
- 6 - 6 Contacts
- 8 - 8 Contacts

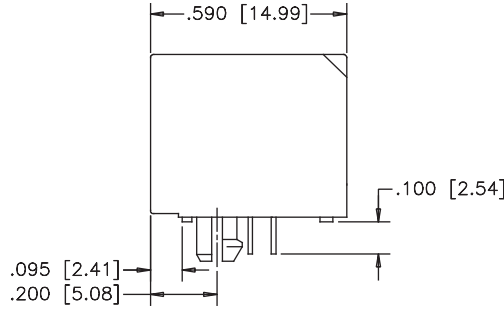


## Single Port Non-Shielded

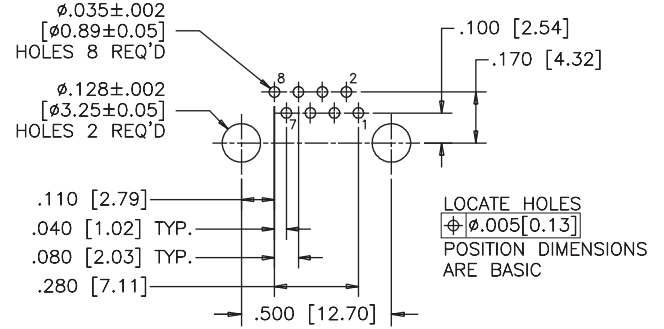
RJHSE-508X\*



FRONT VIEW



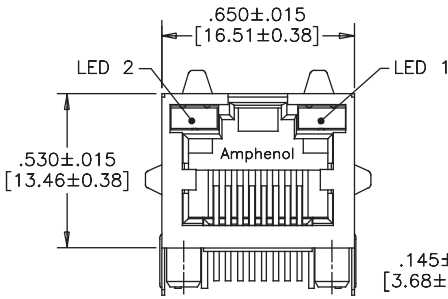
SIDE VIEW



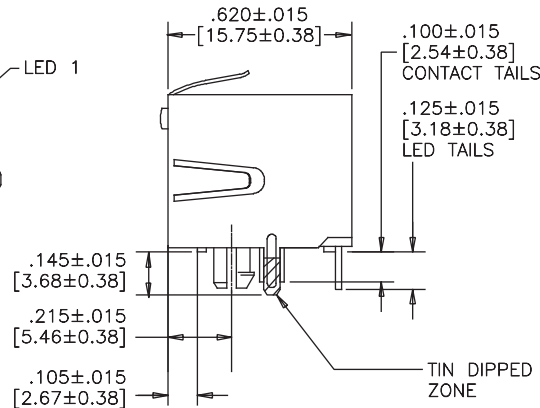
RECOMMENDED PCB LAYOUT

## Shielded - With Top & Side Ground Tabs

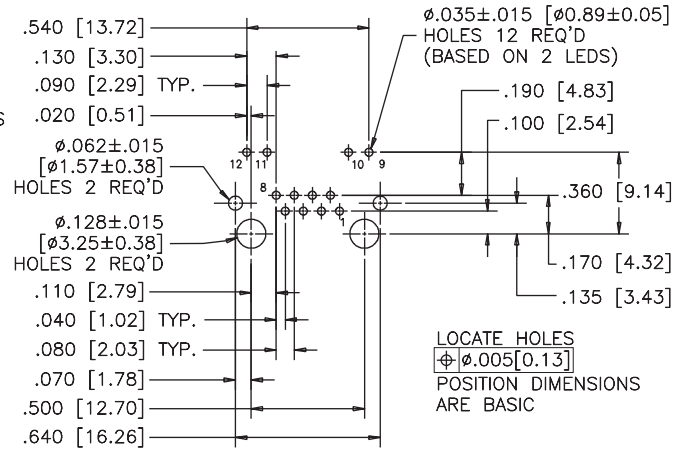
RJHSE-548X



FRONT VIEW



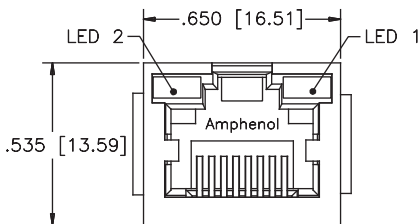
SIDE VIEW



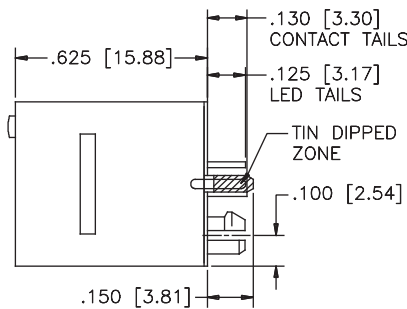
RECOMMENDED PCB LAYOUT

## Vertical Mount

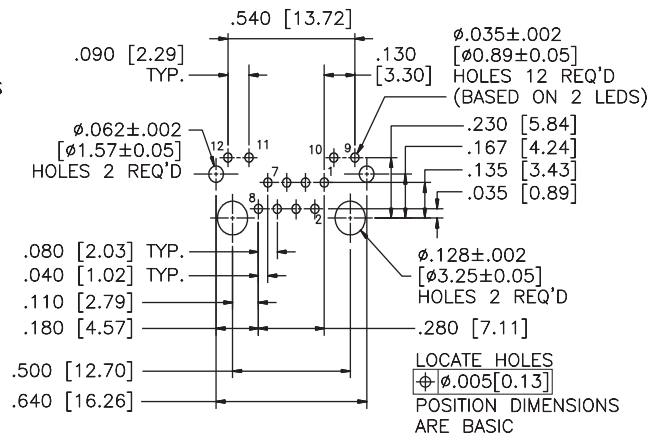
RJHSE-338X



FRONT VIEW



SIDE VIEW



RECOMMENDED PCB LAYOUT

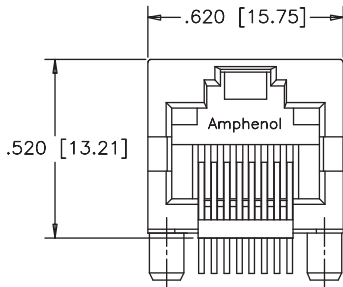
# RJHSE

TAB UP, MULTIPOINT, WITH LEDs

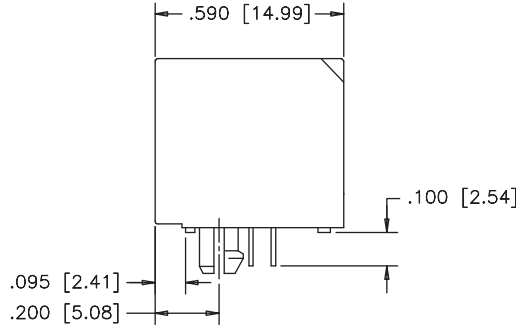
## Single Port

Shielded - Low Profile

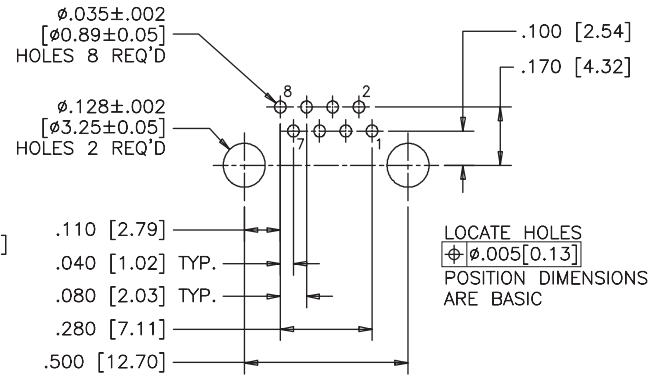
RJHSE-L38X



FRONT VIEW



SIDE VIEW

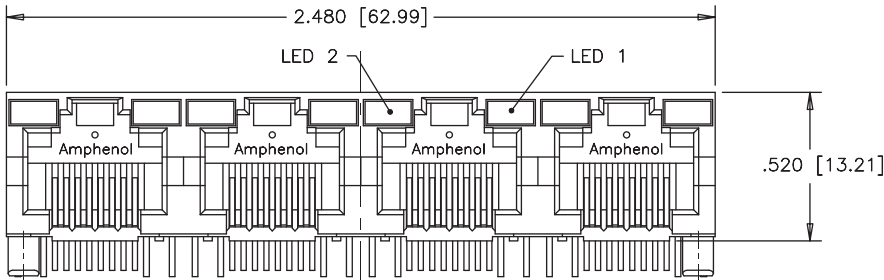


RECOMMENDED PCB LAYOUT

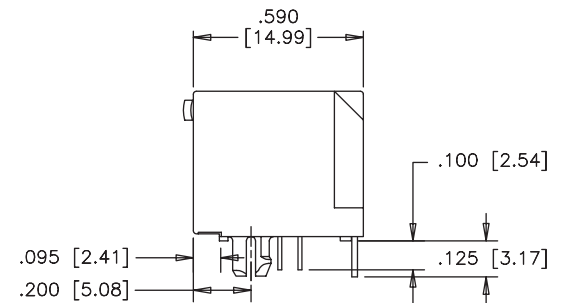
## Multi Port

Non-Shielded

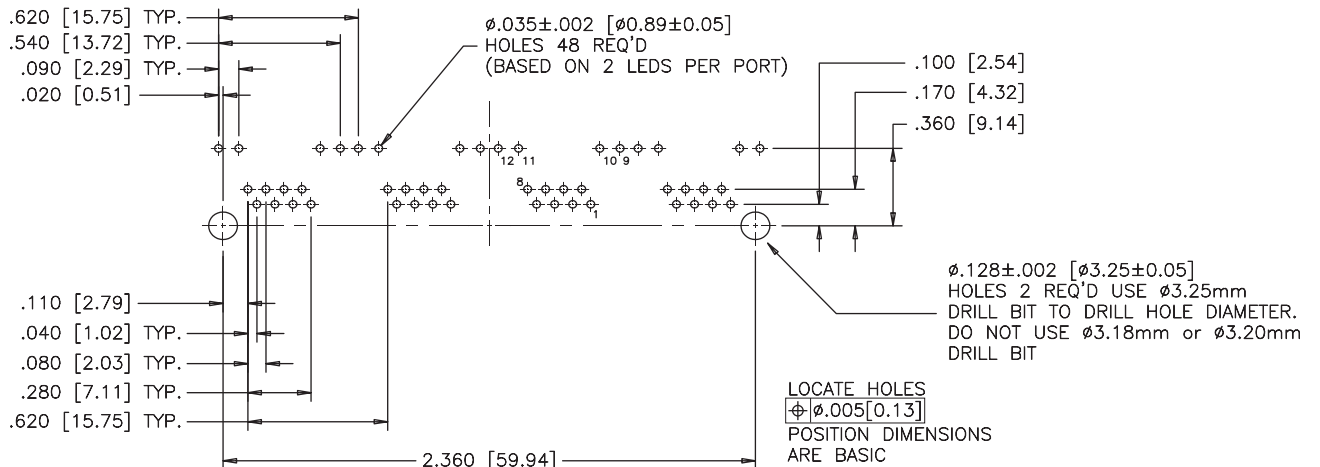
RJHSE-508X-04



FRONT VIEW



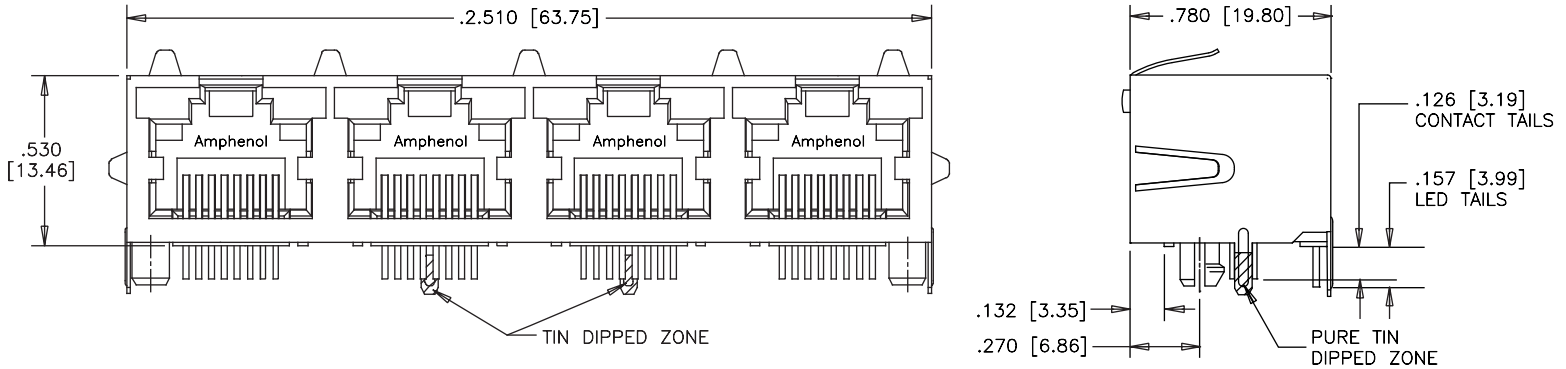
SIDE VIEW



RECOMMENDED PCB LAYOUT

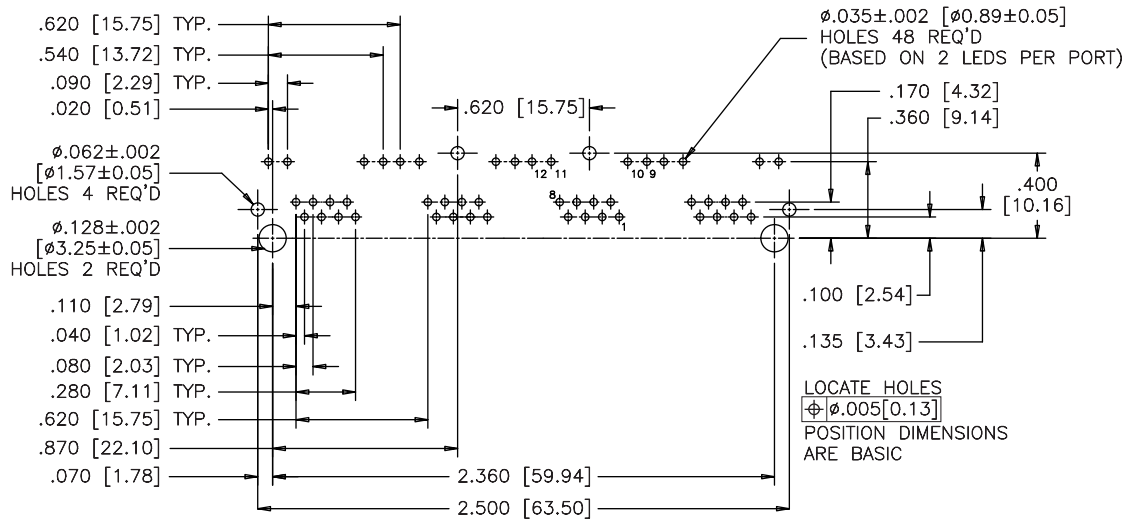
## Multi Port Shielded

RJHSE-538X-04



FRONT VIEW

SIDE VIEW



RECOMMENDED PCB LAYOUT

## Notes

# RJE37

TAB UP, SINGLE PORT, LOW PROFILE, WITH LEDS

## TAB UP, SINGLE PORT, LOW PROFILE, WITH LEDS

Single port through-hole (THT) series with multiple shield and LED options. Similar to our single port RJHSE series, but with a slightly lower profile and longer body. Inverted latch orientation for easy mating with industry standard plugs.



## SPECIFICATIONS

### Material

<b>Insulator:</b>	High temp. thermoplastic; Complies with UL 94V-0; Black
<b>Contacts:</b>	Phosphor bronze hard temper with gold thickness options (6µ", 15µ", 30µ", 50µ") over 50µ" min. nickel on contact mating area; 100µ" min. matte tin plating on soldering tail
<b>Shield:</b>	Stainless steel with tin dipped tails
<b>LED:</b>	Tin plating on LED tails

### Mechanical

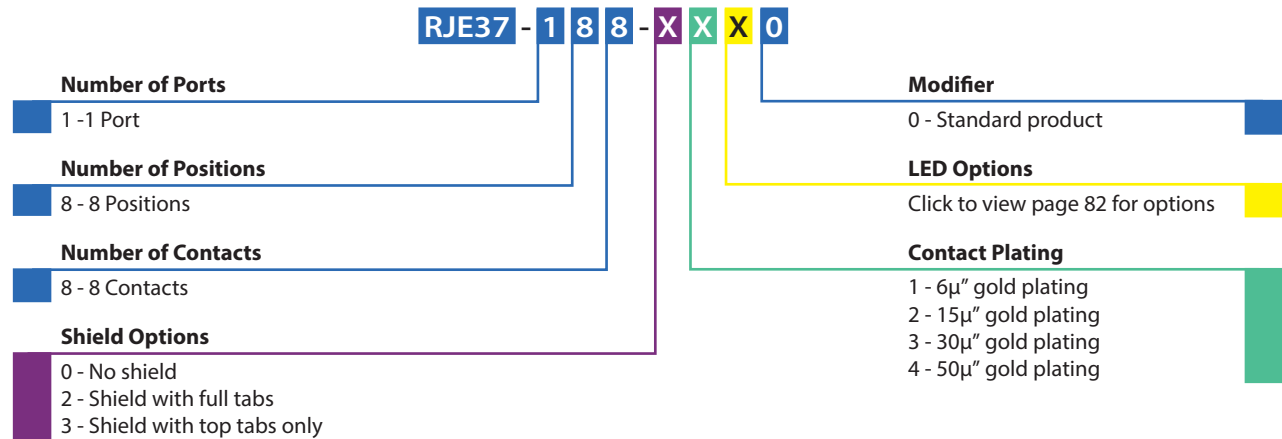
<b>Insertion Force:</b>	5 lbs max.
<b>Pull Retention Force:</b>	20 lbs min.
<b>Durability:</b>	750 mating & unmating cycles
<b>Redcommended</b>	
<b>Soldering Temperature:</b>	Wave soldering peaked at 260°C for 5 secs max.
<b>Operating Temperature:</b>	-55°C to + 85°C

\*Note: Connectors without LEDs are suitable for IR Reflow

### Electrical

<b>Contact resistance:</b>	20 mΩ max.
<b>Insulation resistance:</b>	500 MΩ min. at 500V DC for 2 mins max.
<b>Current Rating:</b>	1.5 Amps per contact
<b>Voltage Rating:</b>	125 Volts AC
<b>DWV:</b>	1000 VAC, 60 Hz. 1 min.
<b>LED Forward DC Current:</b>	20mA typical
<b>LED Forward Voltage:</b>	2.6 Volts max. at 2mA
<b>LED Reverse Voltage:</b>	5 Volts min.
<b>LED Light Intensity:</b>	7 to 11 mcd min. at 20mA (for single colours) 6 mcd min. at 20mA (for bicolours)
<b>LED Wave Length:</b>	Yellow: 585 ± 7 nm measured at 20mA Green: 568 ± 6 nm measured at 20mA Red: 640 ± 5 nm measured at 20mA

## ORDERING INFORMATION



Didn't find what you were looking for?

Please contact [sales@amphenolcanada.com](mailto:sales@amphenolcanada.com) and let us know what you need.

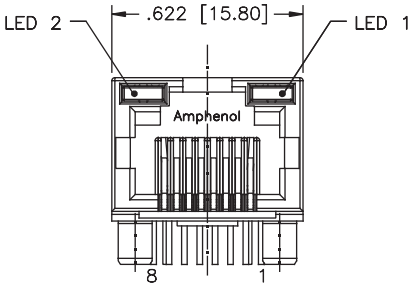
[Click to Return to Table of Contents](#)

# RJE37

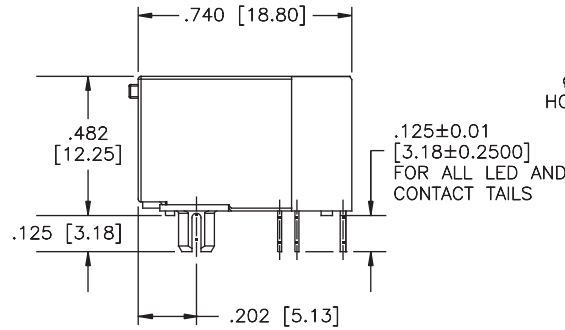
TAB UP, SINGLE PORT, LOW PROFILE, WITH LEDs

## Single Port Non-Shielded

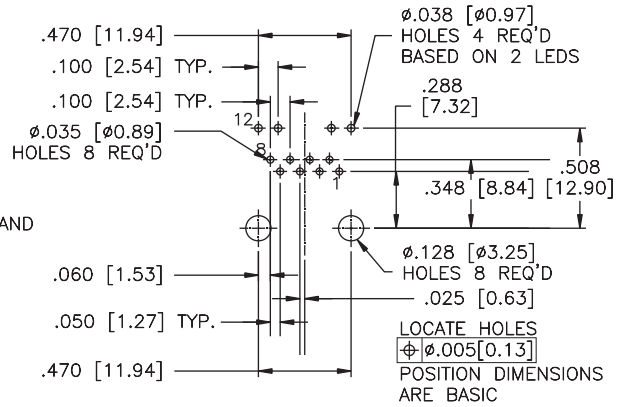
RJE37-188-0XX0



FRONT VIEW



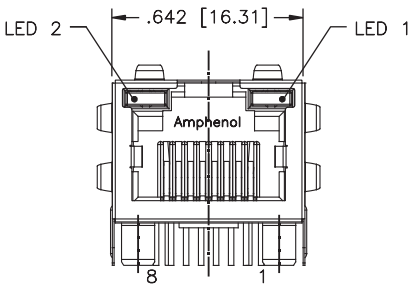
SIDE VIEW



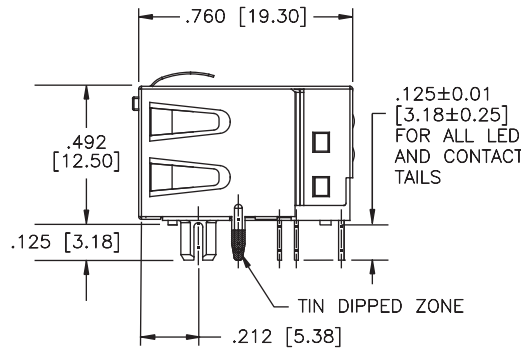
RECOMMENDED PCB LAYOUT

## Shielded - With Full Tabs

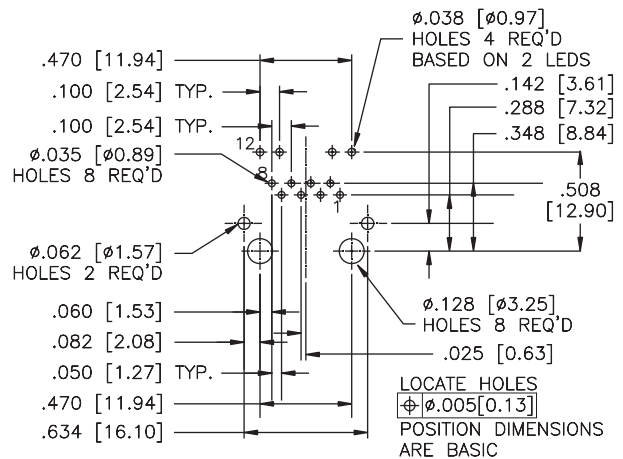
RJE37-188-1XX0



FRONT VIEW



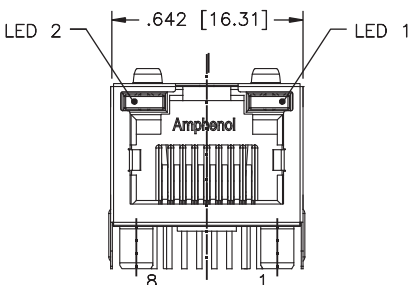
SIDE VIEW



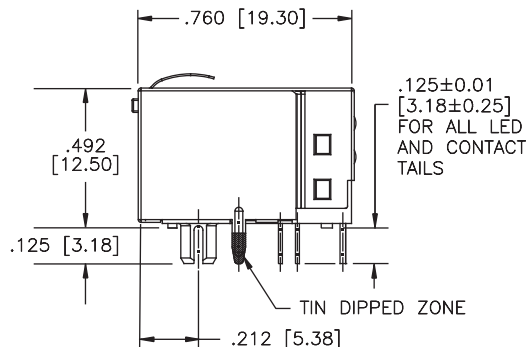
RECOMMENDED PCB LAYOUT

## Shielded - With Top Tabs Only

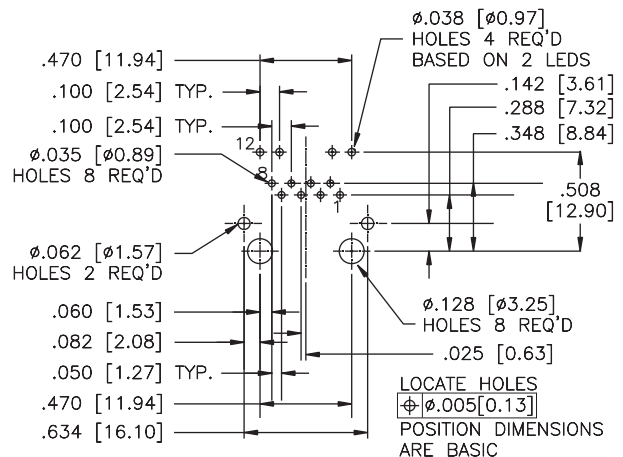
RJE37-188-2XX0



FRONT VIEW



SIDE VIEW



RECOMMENDED PCB LAYOUT

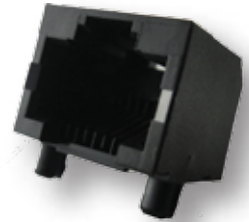


# RJESE

TAB UP, RJ45 & RJ11, STANDARD PROFILE

## TAB UP, RJ45 & RJ11, STANDARD PROFILE

This family of EMI quiet modular jack connectors with integrated LEDs features the same data transfer capabilities as our existing series of LED-integrated modular jacks. This product is an economical solution ideal for LAN applications and is intended for use with low temperature soldering processes. Shielded and non-shielded versions are available with a variety of LED options. Also offered in both single and multi port configurations.



## SPECIFICATIONS

### Material

<b>Insulator:</b>	High temp. thermoplastic; Complies with UL 94V-0; Black
<b>Contacts:</b>	Phosphor bronze hard temper with gold thickness options (6 $\mu$ ", 15 $\mu$ ", 30 $\mu$ ", 50 $\mu$ ") over 50 $\mu$ " min. nickel on contact mating area; 100 $\mu$ " min. matte tin plating on soldering tail
<b>Shield:</b>	Stainless steel with tin dipped tails
<b>LED:</b>	Tin plating on LED tails

### Mechanical

<b>Insertion Force:</b>	5 lbs max.
<b>Pull Retention Force:</b>	20 lbs min.
<b>Durability:</b>	750 mating & unmating cycles
<b>Redcommended</b>	
<b>Soldering Temperature:</b>	Wave soldering peaked at 260°C for 5 secs max.
<b>Operating Temperature:</b>	-55°C to + 85°C

\*Note: Connectors without LEDs are suitable for IR Reflow

### Electrical

<b>Contact resistance:</b>	20 m $\Omega$ max.
<b>Insulation resistance:</b>	500 M $\Omega$ min. at 500V DC for 2 mins max.
<b>Current Rating:</b>	1.5 Amps per contact
<b>Voltage Rating:</b>	125 Volts AC
<b>DWV:</b>	1000 VAC, 60 Hz. 1 min.
<b>LED Forward DC Current:</b>	20mA typical
<b>LED Forward Voltage:</b>	1.9 Volts max. at 2mA (for single colours) 2.6 Volts max. at 2mA (for bicolours)
<b>LED Reverse Voltage:</b>	5 Volts min.
<b>LED Light Intensity:</b>	0.4 to 1.5 mcd min. at 2mA (for single colours) 0.5 mcd min. at 2mA (for bicolours)
<b>LED Wave Length:</b>	Yellow: 587 $\pm$ 7 nm measured at 20mA Green: 565 $\pm$ 6 nm measured at 20mA Red: 625 $\pm$ 5 nm measured at 20mA

## ORDERING INFORMATION

RJESE - X X X X - X X XX

### Version

- 3 - Vertical mount, 8 positions, with panel stops
- 7 - Right angled, 6 positions
- 8 - Right angled, 8 positions

### Shield Options

- 0 - No shield
- 3 - Standard shield, 1 to 8 port (single port without side tabs)
- 4 - Single port shield, top and side tabs

### Number of Contacts

- 4 - 4 Contacts
- 6 - 6 Contacts
- 8 - 8 Contacts

### LED Options

Click to view page 82 for options

### Special Identifier

- Blank - Standard black housing
- 02 - Yellow housing colour
- 03 - Red housing colour

### Number of Ports

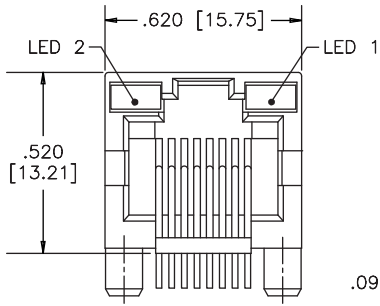
- 1 - 1 Port
- 2 - 2 Ports
- 4 - 4 Ports

### Contact Plating

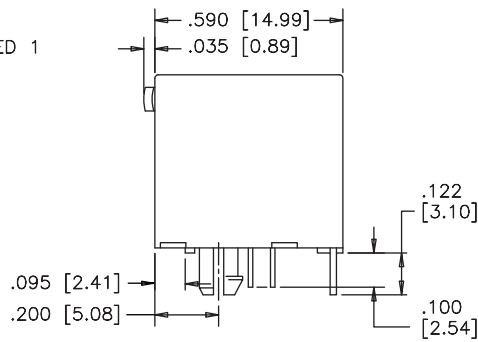
- 0 - 6 $\mu$ " gold plating
- 1 - 15 $\mu$ " gold plating
- 2 - 30 $\mu$ " gold plating
- 3 - 50 $\mu$ " gold plating
- F - 1~3 $\mu$ " gold plating

## Single Port Non-Shielded

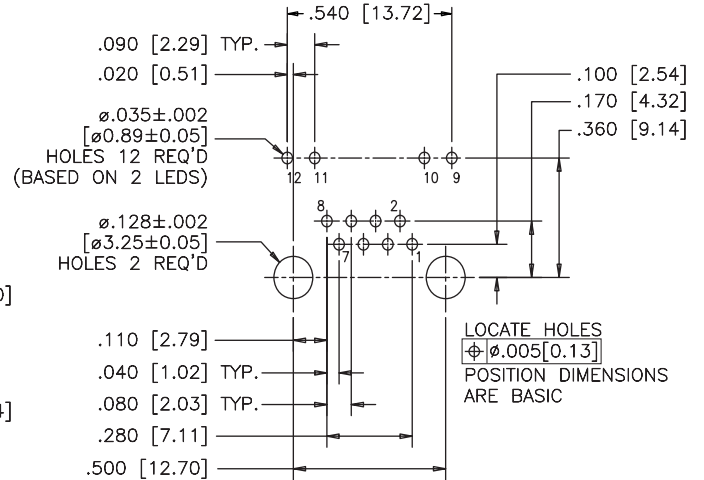
RJESE-808X-X1



FRONT VIEW



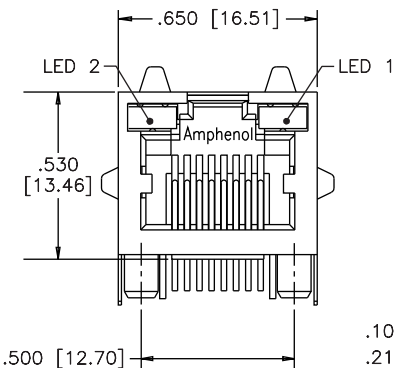
SIDE VIEW



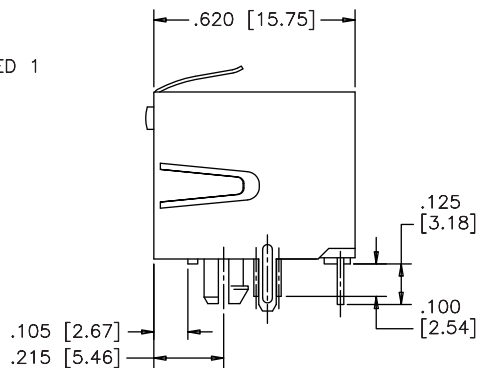
RECOMMENDED PCB LAYOUT

## Shielded

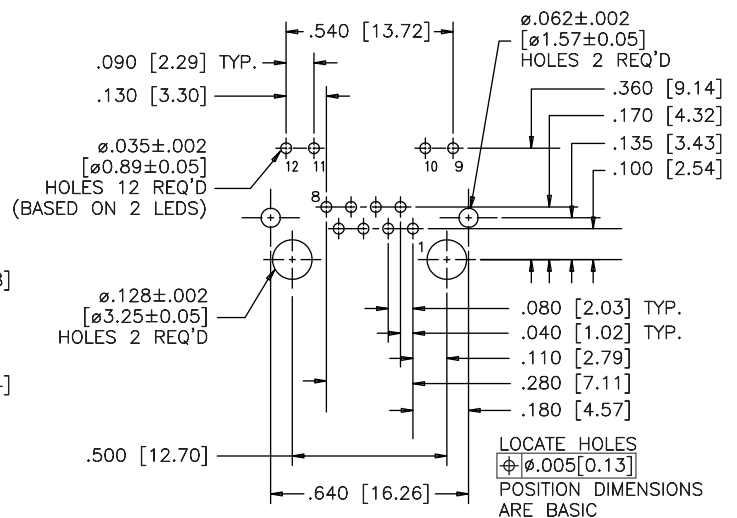
RJESE-848X-X1



FRONT VIEW



SIDE VIEW



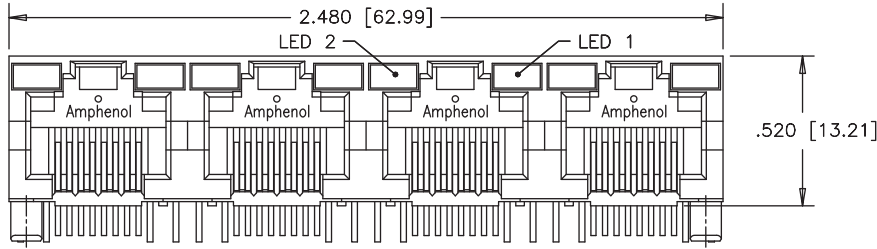
RECOMMENDED PCB LAYOUT

# RJESE

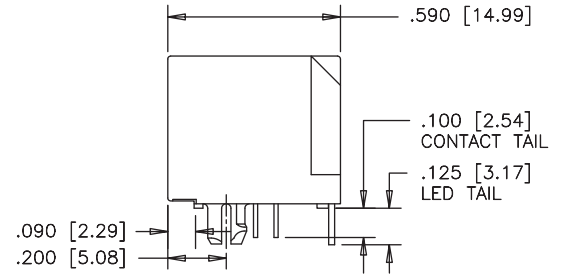
TAB UP, RJ45 & RJ11, STANDARD PROFILE

## Multi Port Non-Shielded

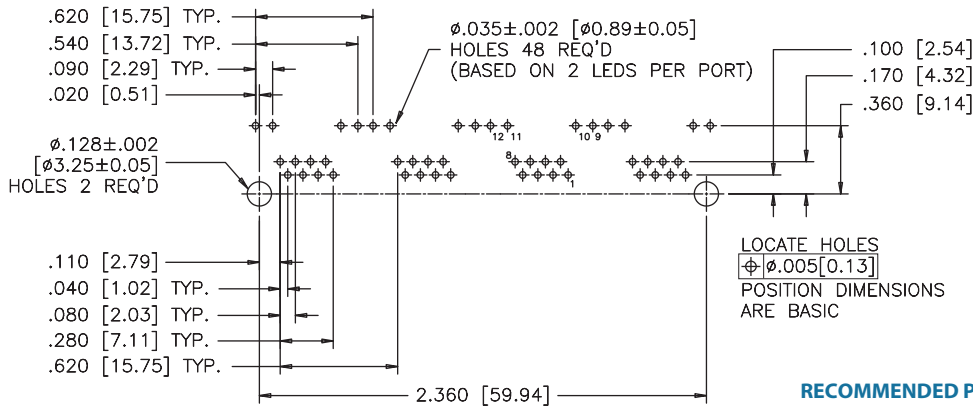
RJESE-808X-X4



FRONT VIEW



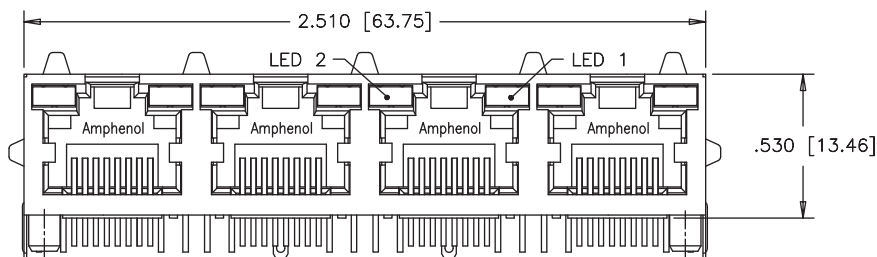
SIDE VIEW



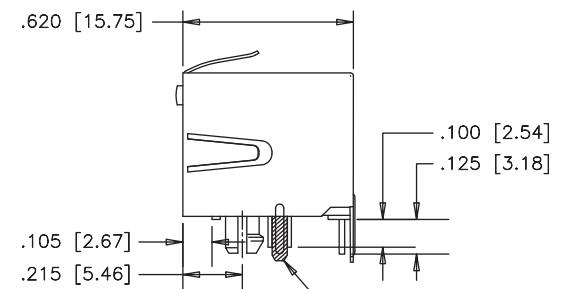
RECOMMENDED PCB LAYOUT

## Shielded

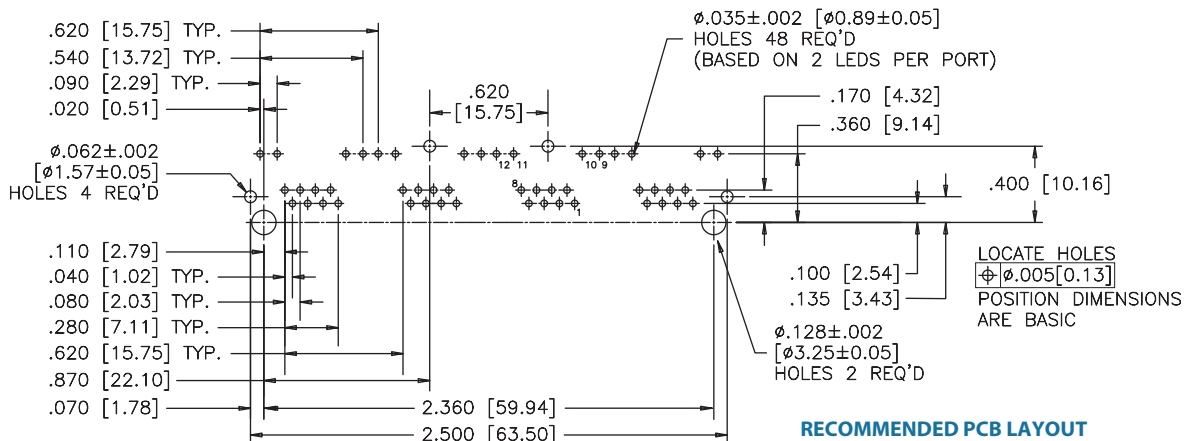
RJESE-838X-X4



FRONT VIEW



SIDE VIEW



RECOMMENDED PCB LAYOUT

## TAB UP, RJ11 (SIX POSITION)

The RJE01 series of 6-position jacks are designed for superior EMI performance. The inverted connector provides shorter leads, eliminating the EMI antenna effect of the standard connector footprint. Typical performance improvement over their standard connector counterparts is 5-10 dB over the frequency range.



## SPECIFICATIONS

### Material

<b>Insulator:</b>	High temp. thermoplastic; Complies with UL 94V-0; Black
<b>Contacts:</b>	Phosphor bronze hard temper with gold thickness options (6μ", 15μ", 30μ", 50μ") over 50μ" min. nickel on contact mating area; 100μ" min. matte tin plating on soldering tail
<b>Shield:</b>	Stainless steel with tin dipped tails

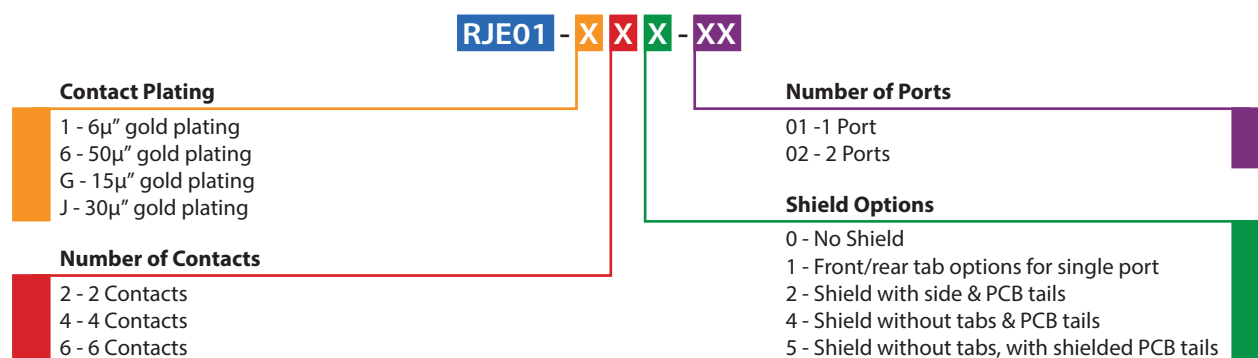
### Electrical

<b>Contact resistance:</b>	20 mΩ max.
<b>Insulation resistance:</b>	500 MΩ min. at 500V DC for 2 mins max.
<b>Current Rating:</b>	1.5 Amps per contact
<b>Voltage Rating:</b>	125 Volts AC
<b>DWV:</b>	1000 VAC, 60 Hz. 1 min.

### Mechanical

<b>Insertion Force:</b>	5 lbs max.
<b>Pull Retention Force:</b>	20 lbs min.
<b>Durability:</b>	750 mating & unmating cycles
<b>Redcommended Soldering Temperature:</b>	Wave soldering peaked at 260°C for 5 secs max.
<b>Operating Temperature:</b>	-55°C to + 85°C
<b>UL File #:</b>	E135615
<b>CSA File #:</b>	LR685398

## ORDERING INFORMATION



Didn't find what you were looking for?

Please contact [sales@amphenolcanada.com](mailto:sales@amphenolcanada.com) and let us know what you need.

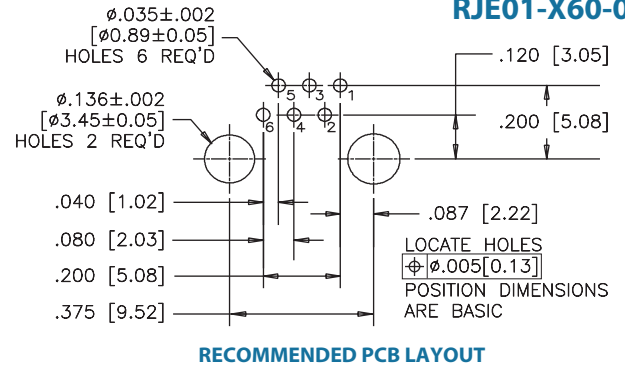
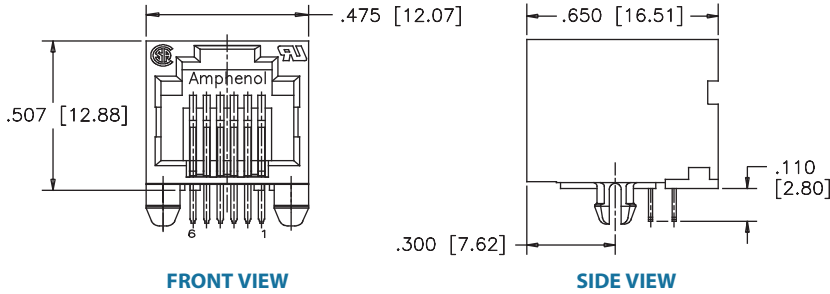
[Click to Return to Table of Contents](#)

# RJE01

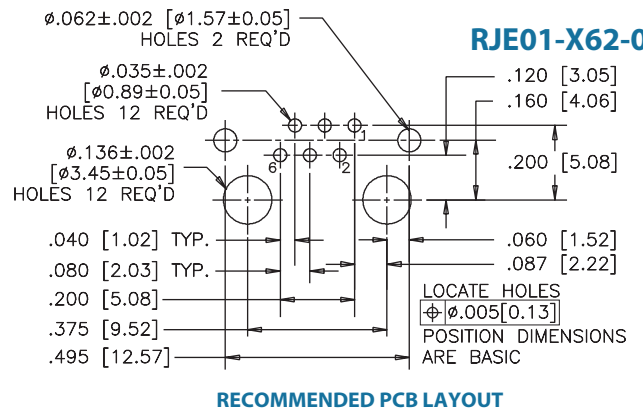
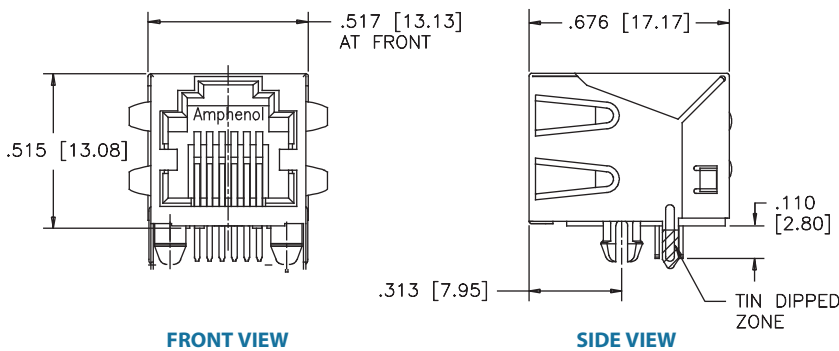
TAB UP, RJ11 (SIX POSITION)

## Single Port

Non-Shielded

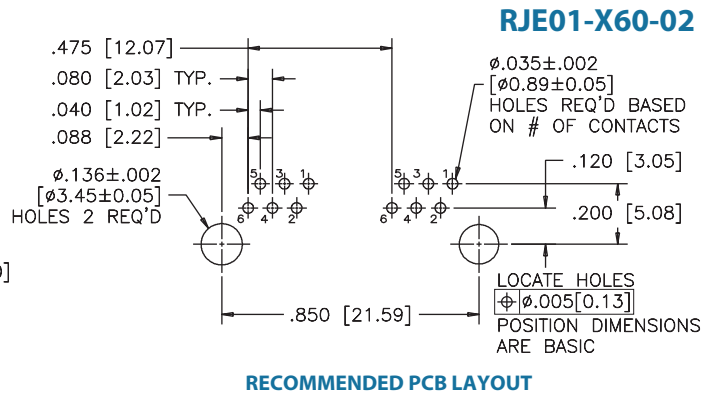
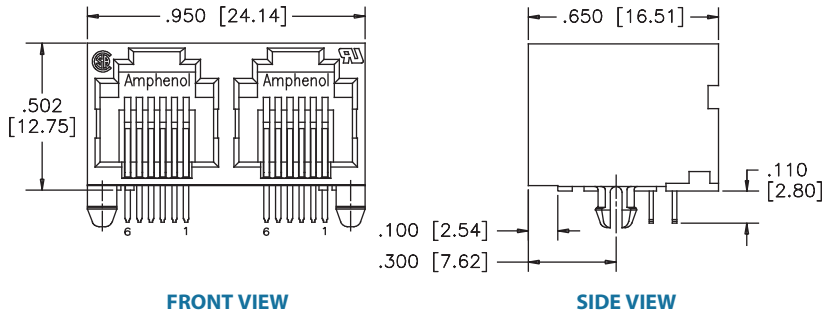


Shielded

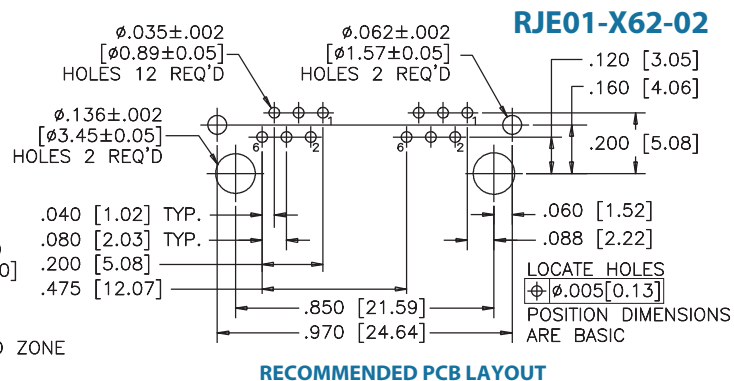
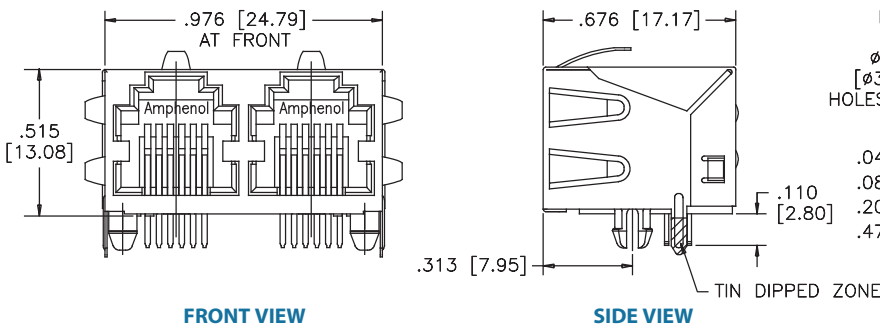


## Multi Port

Non-Shielded



Shielded





## TAB DOWN, 1, 2 AND 4 PORT WITH LED<sub>s</sub>

The RJSBE series of modular jacks supports Ethernet Protocols. Shielding is available with or without a Ferrite Filter filter for increased EMI performance and LEDs for link activity and network speed verification.



## SPECIFICATIONS

### Material

<b>Insulator:</b>	High temp. thermoplastic; Complies with UL 94V-0; Black
<b>Contacts:</b>	Phosphor bronze hard temper with gold thickness options (6µ", 15µ", 30µ", 50µ") over 50µ" min. nickel on contact mating area; 100µ" min. matte tin plating on soldering tail
<b>Shield:</b>	Copper alloy; nickel plated with tin dipped tails
<b>LED:</b>	Tin plating on LED tails

### Mechanical

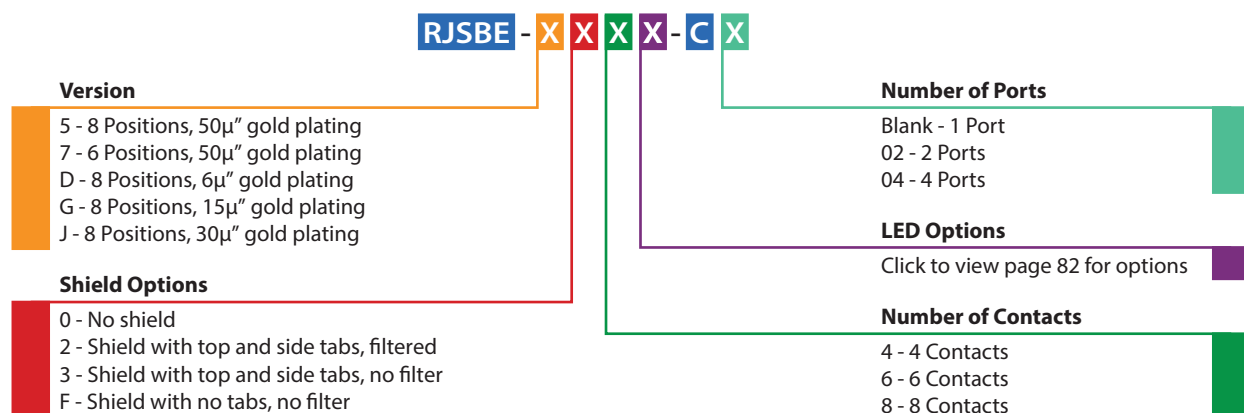
<b>Insertion Force:</b>	5 lbs max.
<b>Pull Retention Force:</b>	20 lbs min.
<b>Durability:</b>	750 mating & unmating cycles
<b>Redcommended</b>	
<b>Soldering Temperature:</b>	Wave soldering peaked at 260°C for 5 secs max.
<b>Operating Temperature:</b>	-55°C to + 85°C
<b>UL File #:</b>	E135615
<b>CSA File #:</b>	LR685398

\*Note: Connectors without LEDs are suitable for IR Reflow

### Electrical

<b>Contact resistance:</b>	20 mΩ max.
<b>Insulation resistance:</b>	500 MΩ min. at 500V DC for 2 mins max.
<b>Current Rating:</b>	1.5 Amps per contact
<b>Voltage Rating:</b>	125 Volts AC
<b>DWV:</b>	1000 VAC, 60 Hz. 1 min.
<b>LED Forward DC Current:</b>	20mA typical
<b>LED Forward Voltage:</b>	1.9 Volts max. at 2mA (for single colours) 2.6 Volts max. at 2mA (for bicolours)
<b>LED Reverse Voltage:</b>	5 Volts min.
<b>LED Light Intensity:</b>	0.4 to 1.5 mcd min. at 2mA (for single colours) 0.5 mcd min. at 2mA (for bicolours)
<b>LED Wave Length:</b>	Yellow: 587 ± 7 nm measured at 20mA Green: 565 ± 6 nm measured at 20mA Red: 625 ± 5 nm measured at 20mA

## ORDERING INFORMATION



Didn't find what you were looking for?

Please contact [sales@amphenolcanada.com](mailto:sales@amphenolcanada.com) and let us know what you need.

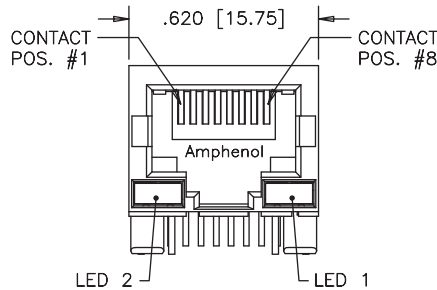
← [Click to Return to Table of Contents](#)

# RJSBE

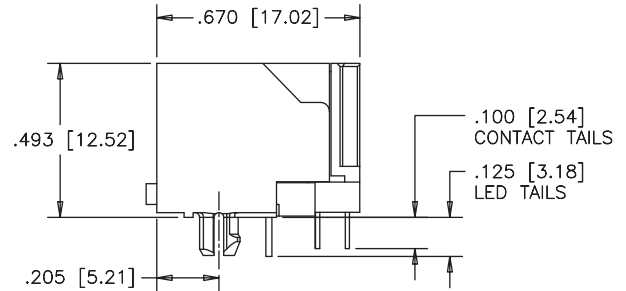
TAB DOWN, 1, 2 AND 4 PORT WITH LEDs

## Single Port Non-Shielded

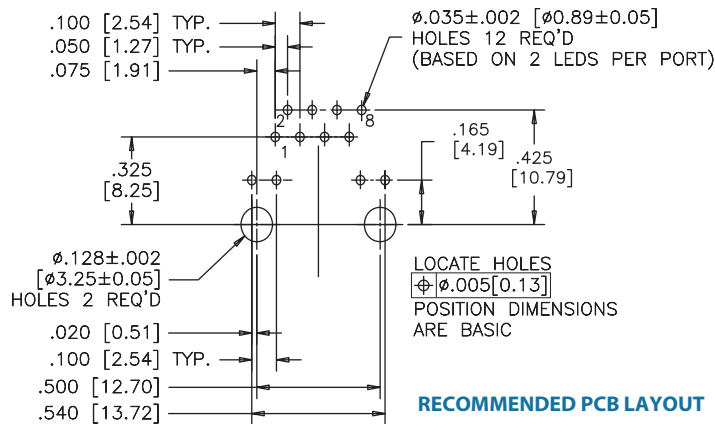
RJSBE-508X-C1



FRONT VIEW



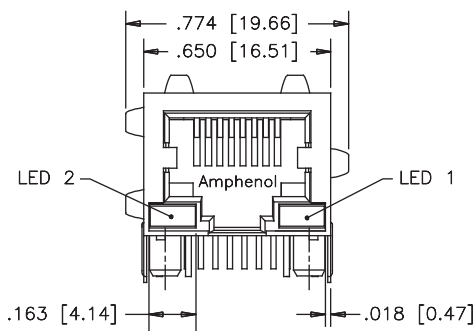
SIDE VIEW



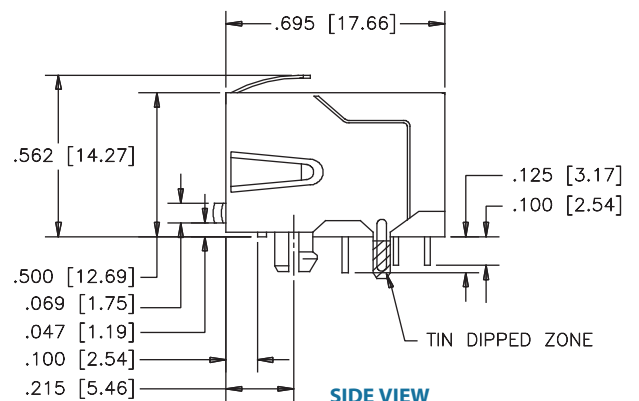
RECOMMENDED PCB LAYOUT

## Shielded

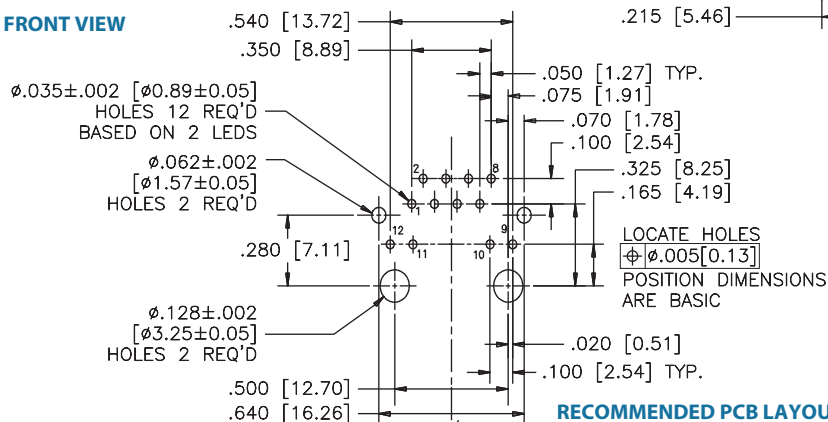
RJSBE-538X-C1



FRONT VIEW



SIDE VIEW



RECOMMENDED PCB LAYOUT

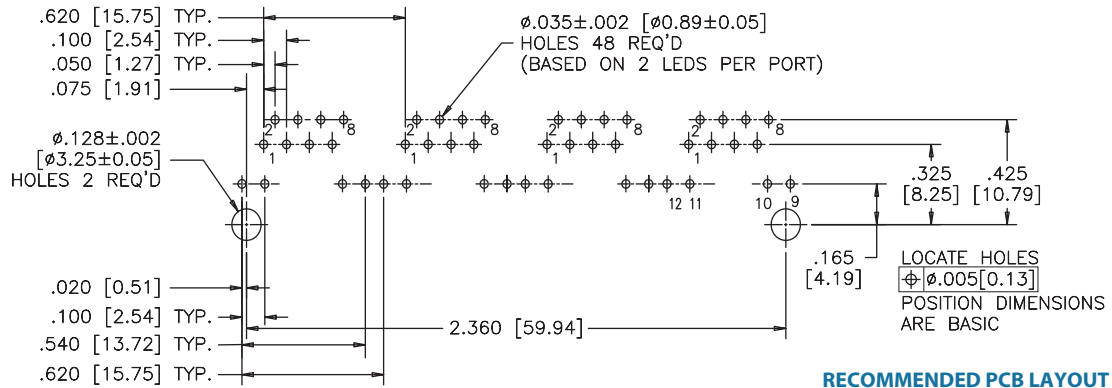
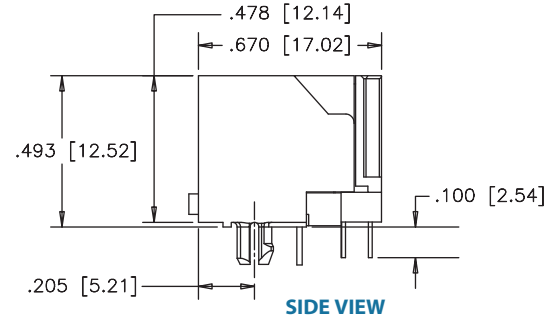
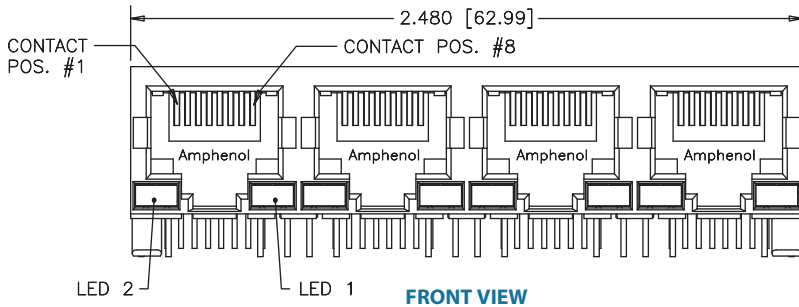
# RJSBE

TAB DOWN, 1, 2 AND 4 PORT WITH LEDS

## Multi Port

Non-Shielded

RJSBE-508X-C4

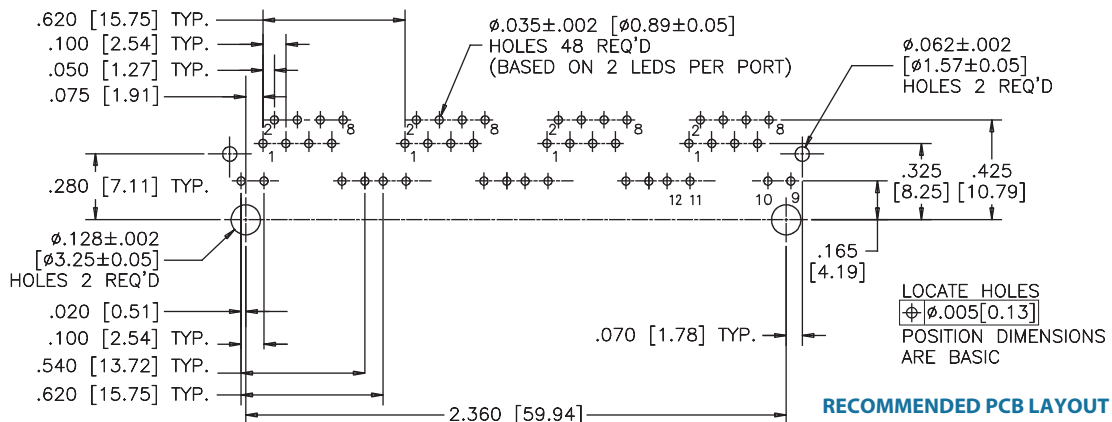
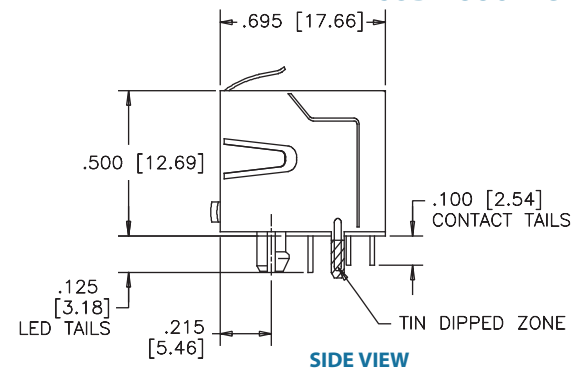
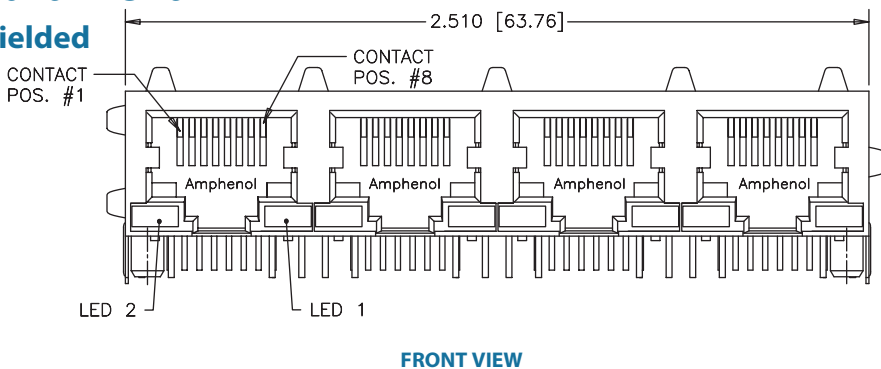


RECOMMENDED PCB LAYOUT

## Multi Port

Shielded

RJSBE-538X-C4



RECOMMENDED PCB LAYOUT

# FRJAE

TAB DOWN, FILTERED AND SHIELDED

## TAB DOWN, FILTERED AND SHIELDED

The FRJAE series of shielded and filtered modular jacks offer low cost and effective EMC control within standard RJ11 & RJ45 connector footprints. EMC control is offered by a completely shielded connector and/or with the use of a high resistivity, high impedance Ferrite Block. No board layout changes are required for its use. Simply replace the standard non-filtered connector for superior EMC performance.



## SPECIFICATIONS

### Material

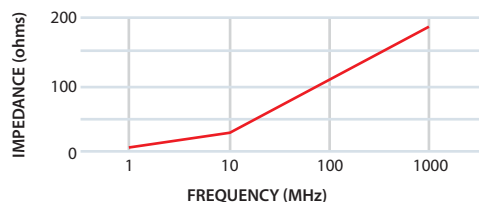
<b>Insulator:</b>	High temp. thermoplastic; Complies with UL 94V-0; Black
<b>Contacts:</b>	Phosphor bronze hard temper with gold thickness options (6μ", 15μ", 30μ", 50μ") over 50μ" min. nickel on contact mating area; 100μ" min. matte tin plating on soldering tail
<b>Shield:</b>	Copper alloy; nickel plated with tin dipped tail
<b>Filter:</b>	High impedance, high resistivity Ferrite Block

### Mechanical

<b>Insertion Force:</b>	5 lbs max.
<b>Pull Retention Force:</b>	20 lbs min.
<b>Durability:</b>	750 mating & unmating cycles
<b>Redcommended</b>	
<b>Soldering Temperature:</b>	Wave soldering peaked at 260°C for 5 secs max.
<b>Operating Temperature:</b>	-55°C to +85°C
<b>UL File #:</b>	E135615
<b>CSA File #:</b>	LR68598

\*Note: Suitable for IR Reflow

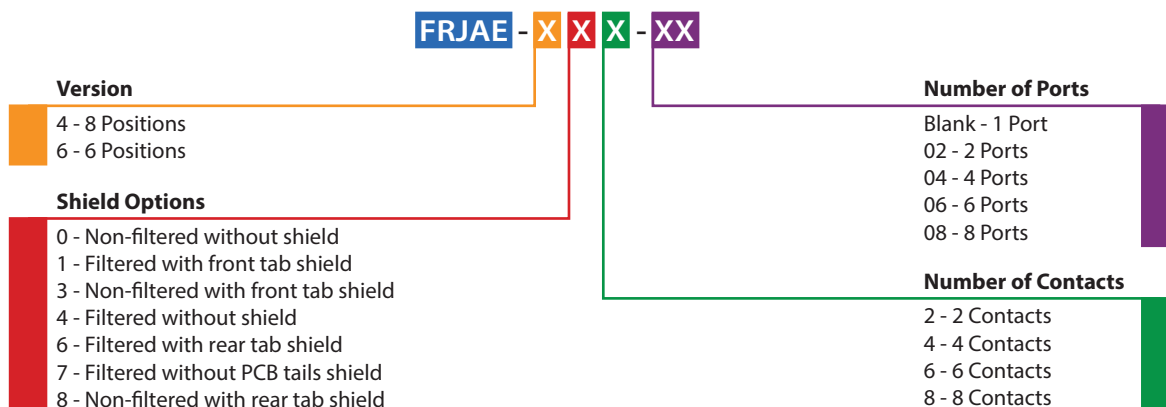
### Impedance Characteristics



### Electrical

<b>Contact resistance:</b>	20 mΩ max.
<b>Insulation resistance:</b>	500 MΩ min. at 500V DC for 2 mins max.
<b>Current Rating:</b>	1.5 Amps per contact
<b>Voltage Rating:</b>	125 Volts AC
<b>DWV:</b>	1000 VAC, 60 Hz. 1 min.

## ORDERING INFORMATION



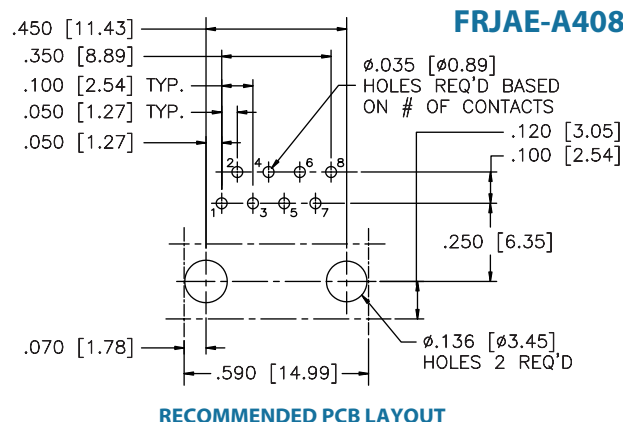
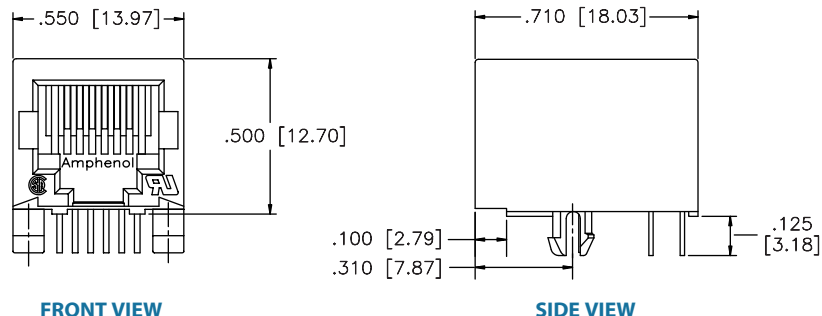
Didn't find what you were looking for?

Please contact [sales@amphenolcanada.com](mailto:sales@amphenolcanada.com) and let us know what you need.

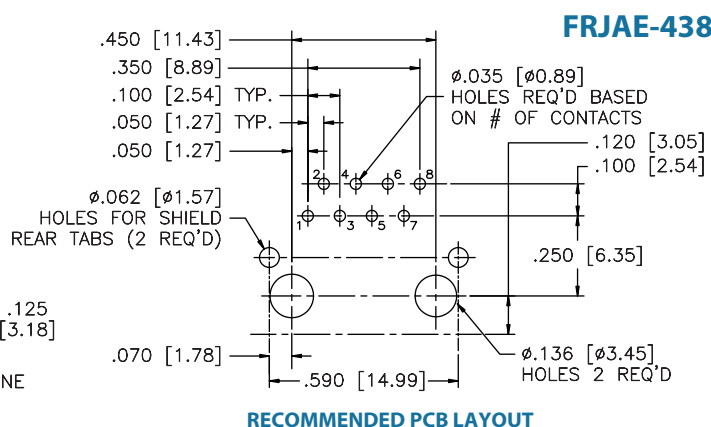
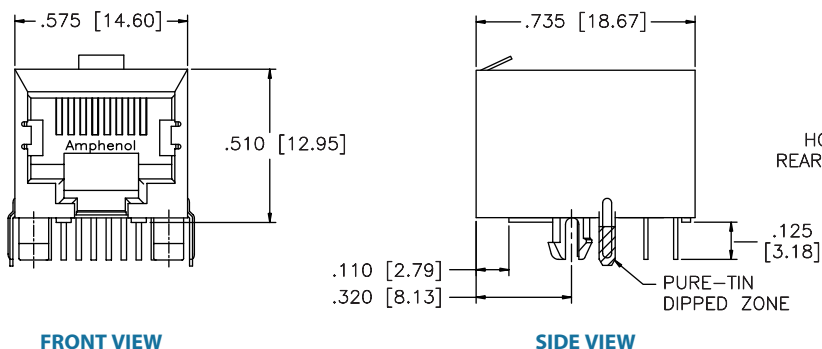
[Click to Return to Table of Contents](#)

## Single Port

### Non-Shielded

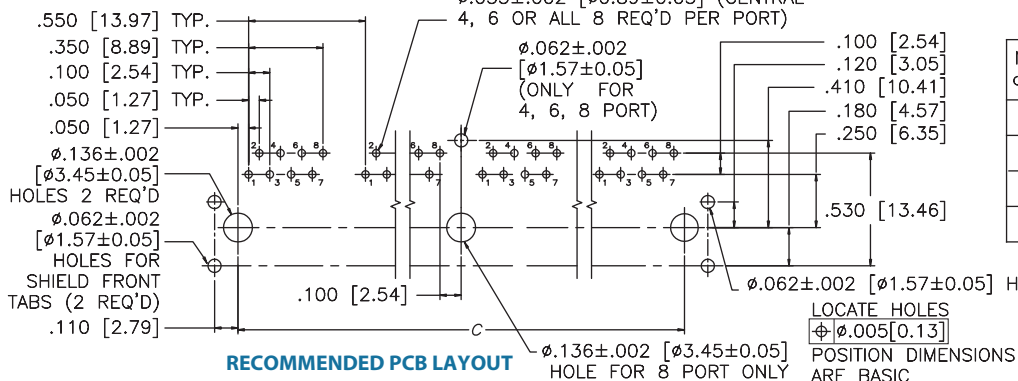
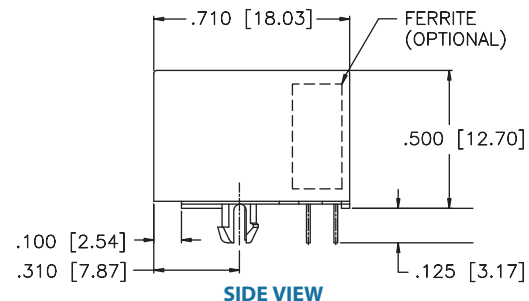
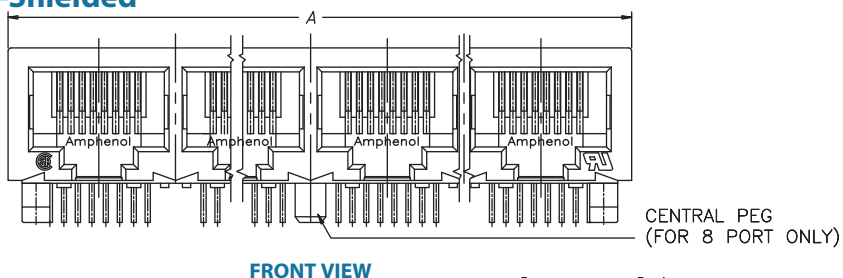


## Shielded



## Multi Port

### Non-Shielded



Number of ports	A	C
2	1.200 [30.48]	1.000 [25.40]
4	2.300 [58.42]	2.100 [53.34]
6	3.400 [86.36]	3.200 [81.28]
8	4.500 [114.30]	4.300 [109.22]



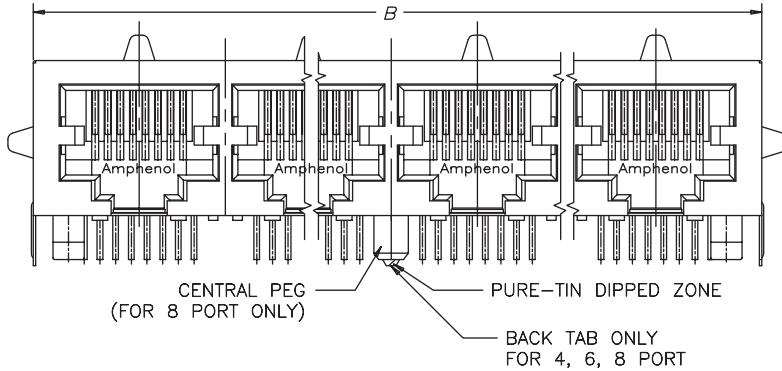
# FRJAE

TAB DOWN, FILTERED AND SHIELDED

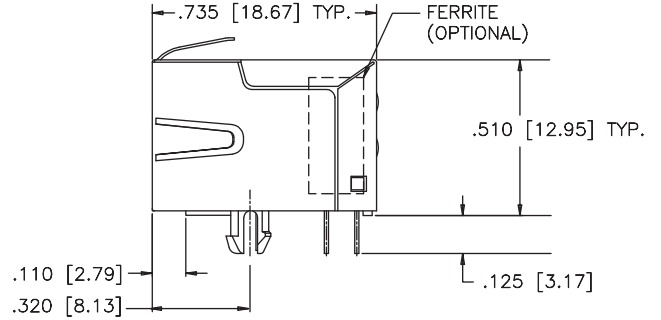
## Multi Port

Shielded

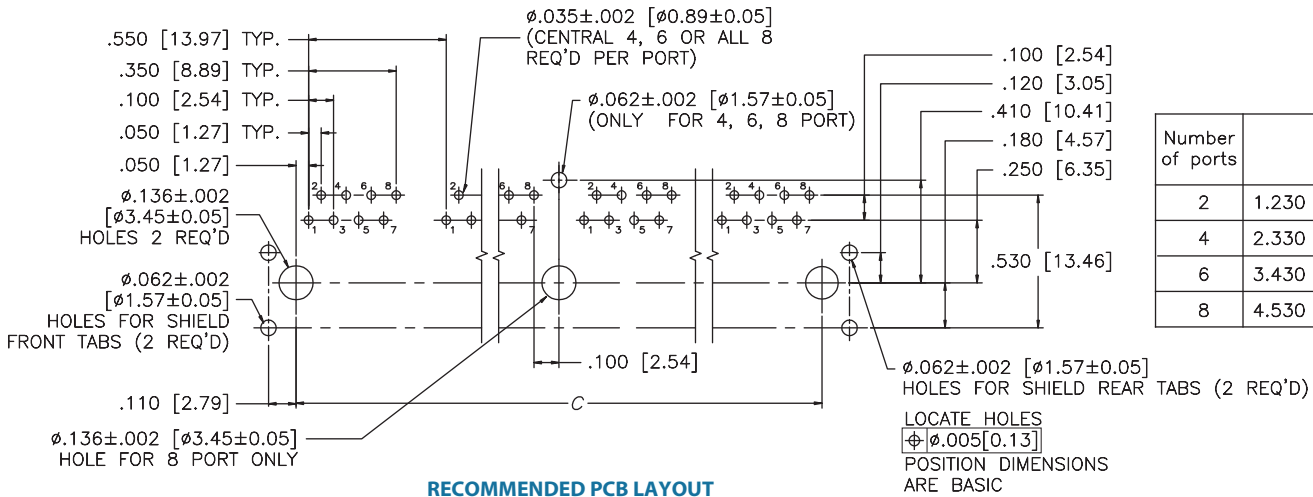
FRJAE-418-0X



FRONT VIEW



SIDE VIEW



RECOMMENDED PCB LAYOUT

Number of ports	B	C
2	1.230 [31.24]	1.000 [25.40]
4	2.330 [59.18]	2.100 [53.34]
6	3.430 [87.12]	3.200 [81.28]
8	4.530 [115.06]	4.300 [109.22]

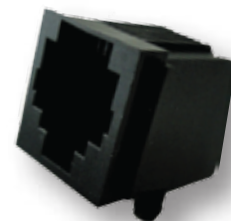
## Notes

## RJE02

TAB DOWN, SINGLE PORT, HIGH PROFILE

## TAB DOWN, SINGLE PORT, HIGH PROFILE

RJE02 series is a group of products within a family of standard modular jacks designed to meet requirements for a variety of applications options within the RJE02 family include options with and without a panel stops, and RJ11 & RJ45 configurations.



## SPECIFICATIONS

## Material

<b>Insulator:</b>	High temp. thermoplastic; Complies with UL 94V-0; Black
<b>Contacts:</b>	Phosphor bronze hard temper with gold thickness options (6µ", 15µ", 30µ", 50µ") over 50µ" min. nickel on contact mating area; 100µ" min. matte tin plating on soldering tail
<b>Shield:</b>	Copper alloy; nickel plated with tin dipped tail

## Mechanical

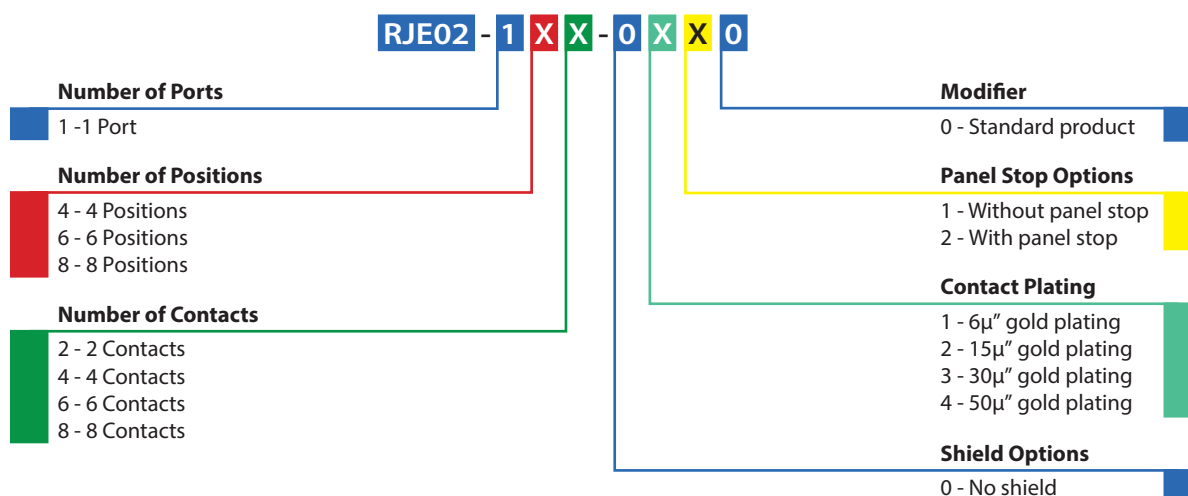
<b>Insertion Force:</b>	5 lbs max.
<b>Pull Retention Force:</b>	20 lbs min.
<b>Durability:</b>	750 mating & unmating cycles
<b>Redcommended Soldering Temperature:</b>	Wave soldering peaked at 260°C for 5 secs max.
<b>Operating Temperature:</b>	-40°C to + 85°C

*\*Note: Connectors with high temp. material are suitable for IR Reflow*

## Electrical

<b>Contact resistance:</b>	20 mΩ max.
<b>Insulation resistance:</b>	500 MΩ min. at 500V DC for 2 mins max.
<b>Current Rating:</b>	1.5 Amps per contact
<b>Voltage Rating:</b>	125 Volts AC
<b>DWV:</b>	1500 VAC, 60 Hz. 1 min.

## ORDERING INFORMATION



Didn't find what you were looking for?

Please contact [sales@amphenolcanada.com](mailto:sales@amphenolcanada.com) and let us know what you need.

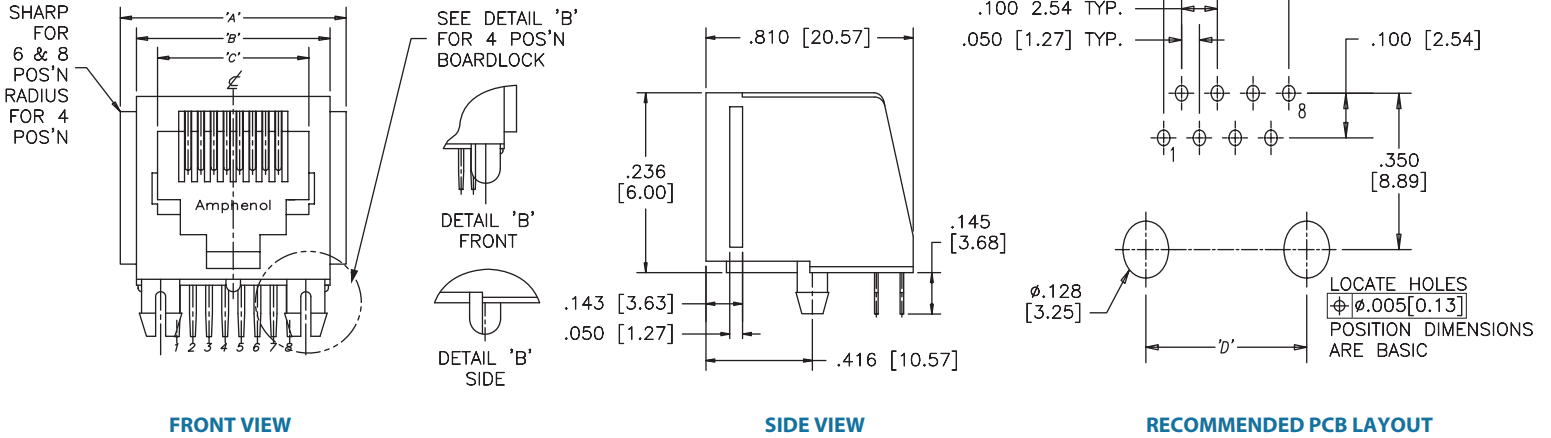
← [Click to Return to Table of Contents](#)

# RJE02

TAB DOWN, SINGLE PORT, HIGH PROFILE

## Single Port Non-Shielded

RJE02-1XX-0X20



Part #	No. of Positions	No. of Contacts	Dimensions					Quantity per tray	Quantity per carton
			A	B	C	D	E		
RJE02-142-0X20	4	2	.540 [13.72]	.440 [11.18]	.309 [7.85]	.300 [7.62]	.050 [1.27]	120	2160
RJE02-144-0X20	4	4	.540 [13.72]	.440 [11.18]	.309 [7.85]	.300 [7.62]	.150 [3.81]	120	2160
RJE02-162-0X20	6	2	.620 [15.75]	.520 [13.21]	.389 [9.88]	.400 [10.16]	.050 [1.27]	120	2160
RJE02-164-0X20	6	4	.620 [15.75]	.520 [13.21]	.389 [9.88]	.400 [10.16]	.150 [3.81]	120	2160
RJE02-166-0X20	6	6	.620 [15.75]	.520 [13.21]	.389 [9.88]	.400 [10.16]	.150 [3.81]	120	2160
RJE02-188-0X20	8	8	.700 [17.78]	.600 [15.24]	.469 [11.91]	.450 [11.43]	.350 [8.89]	100	1800

### Notes

## TAB DOWN, SINGLE PORT, LOW PROFILE

RE03 series is a group of products within a family of standard modular jacks designed to meet requirements for a variety of applications. Options within the RJE03 family include shielded and non-shielded, and RJ11 & RJ45 configurations.



## SPECIFICATIONS

### Material

<b>Insulator:</b>	High temp. thermoplastic; Complies with UL 94V-0; Black
<b>Contacts:</b>	Phosphor bronze hard temper with gold thickness options (6 $\mu$ "", 15 $\mu$ "", 30 $\mu$ "", 50 $\mu$ "") over 50 $\mu$ " min. nickel on contact mating area; 100 $\mu$ " min. matte tin plating on soldering tail
<b>Shield:</b>	Copper alloy; nickel plated with tin dipped tail

### Electrical

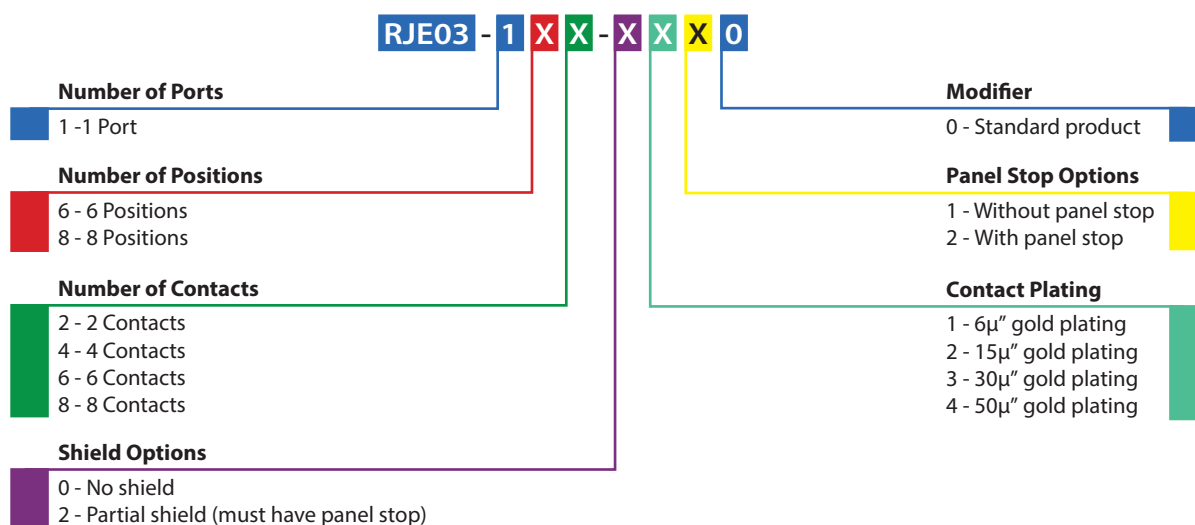
<b>Contact resistance:</b>	20 m $\Omega$ max.
<b>Insulation resistance:</b>	500 M $\Omega$ min. at 500V DC for 2 mins max.
<b>Current Rating:</b>	1.5 Amps per contact
<b>Voltage Rating:</b>	125 Volts AC
<b>DWV:</b>	1000 VAC, 60 Hz. 1 min.

### Mechanical

<b>Insertion Force:</b>	5 lbs max.
<b>Pull Retention Force:</b>	20 lbs min.
<b>Durability:</b>	750 mating & unmating cycles
<b>Redcommended Soldering Temperature:</b>	Wave soldering peaked at 260 $^{\circ}$ C for 5 secs max.
<b>Operating Temperature:</b>	-40 $^{\circ}$ C to + 85 $^{\circ}$ C

*\*Note: Connectors with high temp. material are suitable for IR reflow*

## ORDERING INFORMATION



Didn't find what you were looking for?

Please contact [sales@amphenolcanada.com](mailto:sales@amphenolcanada.com) and let us know what you need.

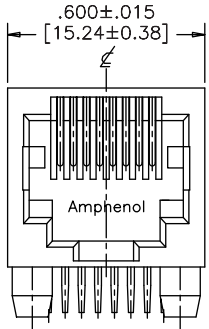
[Click to Return to Table of Contents](#)

# RJE03

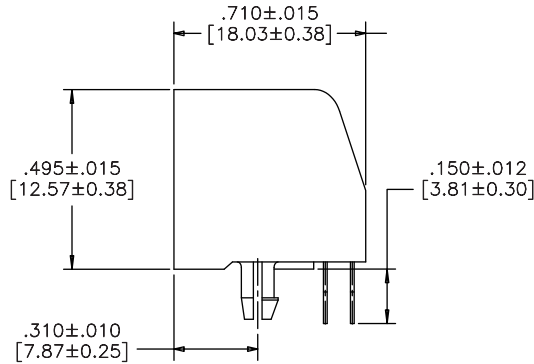
TAB DOWN, SINGLE PORT, LOW PROFILE

## Single Port Non-Shielded

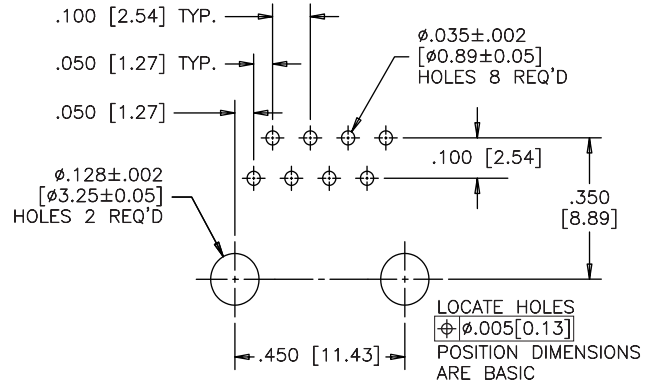
RJE03-188-0X10



FRONT VIEW



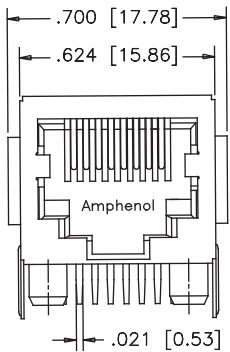
SIDE VIEW



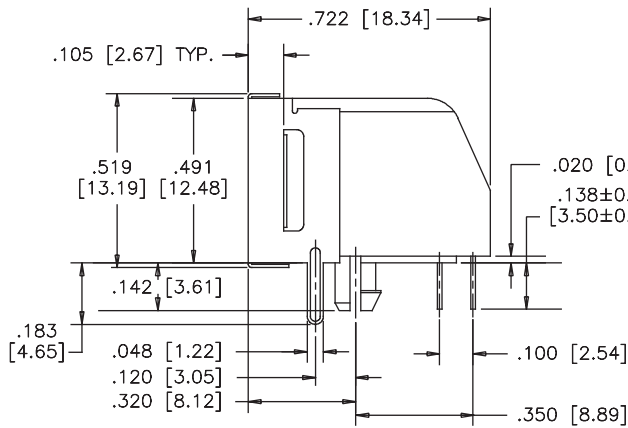
RECOMMENDED PCB LAYOUT

## Shielded with Panel Stop

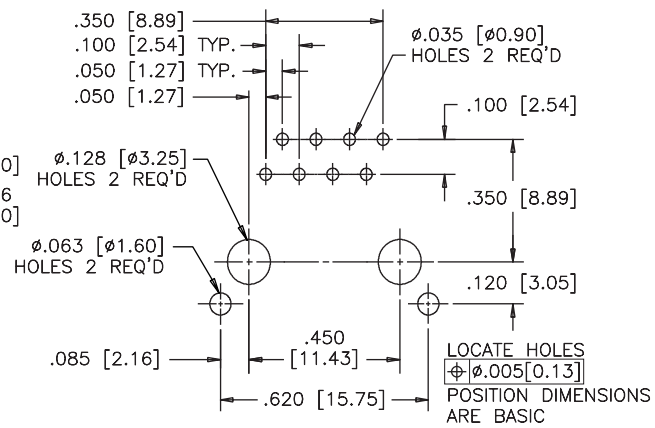
RJE03-188-2X20



FRONT VIEW



SIDE VIEW



RECOMMENDED PCB LAYOUT

## Notes



## TAB DOWN, ULTRA LOW PROFILE

RJE05 series is a group of products within a family of standard modular jacks designed to meet requirements for a variety of applications. Options within the RJE05 family include shielded or non-shielded, and RJ11 & RJ45 configurations.



## SPECIFICATIONS

### Material

<b>Insulator:</b>	High temp. thermoplastic; Complies with UL 94V-0; Black
<b>Contacts:</b>	Phosphor bronze hard temper with gold thickness options (6 $\mu$ " , 15 $\mu$ " , 30 $\mu$ " , 50 $\mu$ " ) over 50 $\mu$ " min. nickel on contact mating area; 100 $\mu$ " min. matte tin plating on soldering tail
<b>Shield:</b>	Copper alloy; nickel plated with tin dipped tail

### Electrical

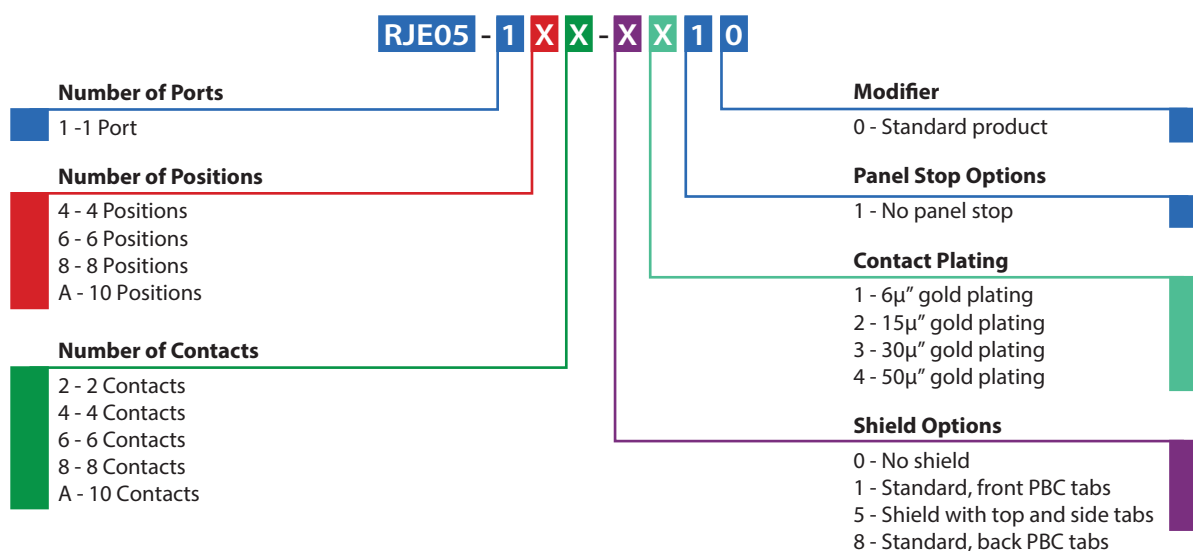
<b>Contact resistance:</b>	20 m $\Omega$ max.
<b>Insulation resistance:</b>	500 M $\Omega$ min. at 500V DC for 2 mins max.
<b>Current Rating:</b>	1.5 Amps per contact
<b>Voltage Rating:</b>	125 Volts AC
<b>DWV:</b>	1000 VAC, 60 Hz. 1 min.

### Mechanical

<b>Insertion Force:</b>	5 lbs max.
<b>Pull Retention Force:</b>	20 lbs min.
<b>Durability:</b>	750 mating & unmating cycles
<b>Redcommended Soldering Temperature:</b>	Wave soldering peaked at 260 $^{\circ}$ C for 5 secs max.
<b>Operating Temperature:</b>	-40 $^{\circ}$ C to + 85 $^{\circ}$ C
<b>UL File #:</b>	E135615

*\*Note: Connectors with high temp. material are suitable for IR Reflow*

## ORDERING INFORMATION



Didn't find what you were looking for?

Please contact [sales@amphenolcanada.com](mailto:sales@amphenolcanada.com) and let us know what you need.

[Click to Return to Table of Contents](#)

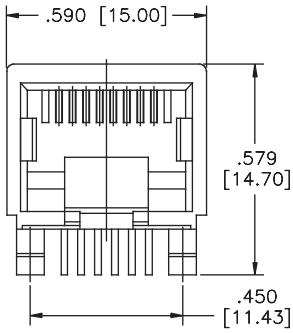
# RJE05

TAB DOWN, ULTRA LOW PROFILE

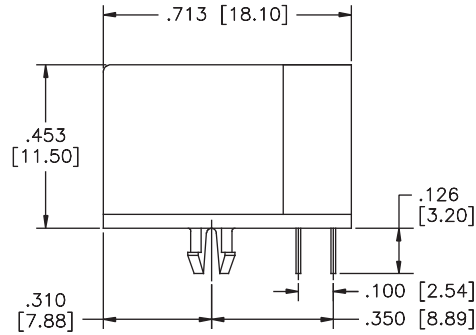
## Single Port

Non-Shielded

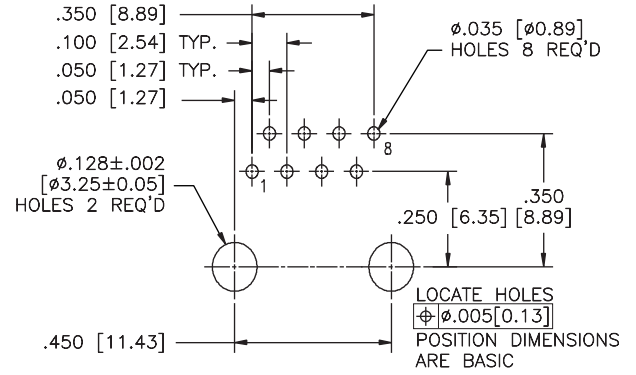
RJE05-188-0X10



FRONT VIEW



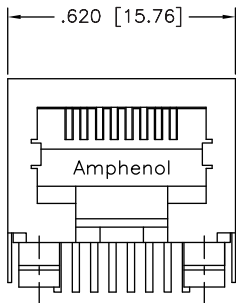
SIDE VIEW



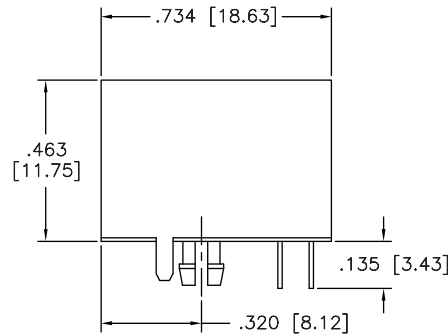
RECOMMENDED PCB LAYOUT

## Shielded

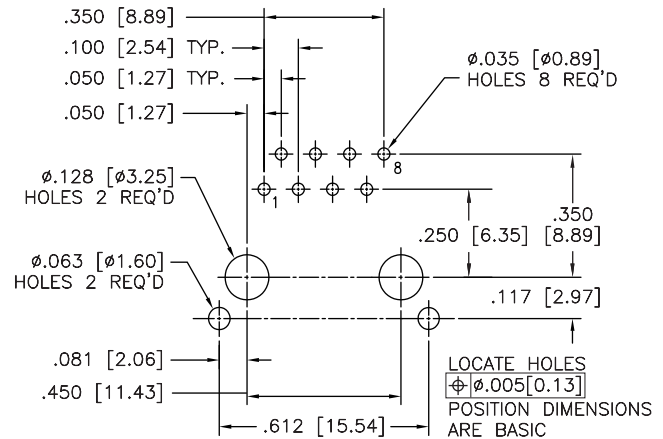
RJE05-188-1X10



FRONT VIEW



SIDE VIEW



RECOMMENDED PCB LAYOUT

## Notes

## TAB DOWN, STANDARD PROFILE

RJE09 series is a group of products within a family of standard modular jacks designed to meet requirements for a variety of applications. Options with the RJE09 family include shielded & non-shielded, and RJ11 & RJ45.



## SPECIFICATIONS

### Material

<b>Insulator:</b>	High temp. thermoplastic; Complies with UL 94V-0; Black
<b>Contacts:</b>	Phosphor bronze hard temper with gold thickness options (6μ", 15μ", 30μ", 50μ") over 50μ" min. nickel on contact mating area; 100μ" min. matte tin or gold flash plating on tail area
<b>Shield:</b>	Copper alloy; nickel plating overall

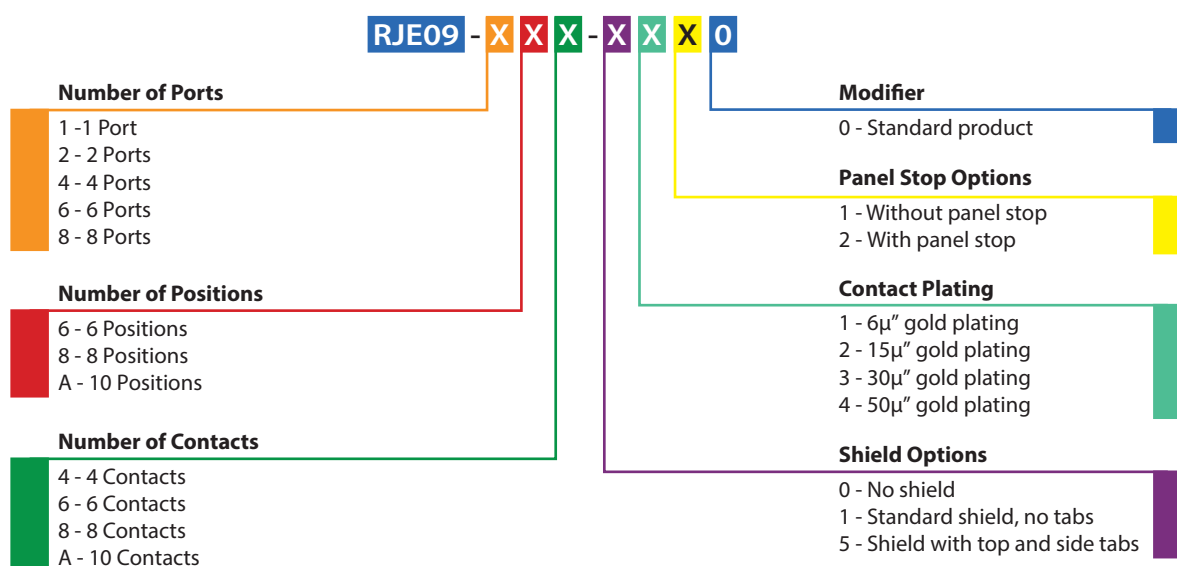
### Electrical

<b>Contact resistance:</b>	25 mΩ max.
<b>Insulation resistance:</b>	500 MΩ min. at 500V DC for 2 mins max.
<b>Current Rating:</b>	1.5 Amps per contact
<b>Voltage Rating:</b>	125 Volts AC
<b>DWV:</b>	1000 VAC, 60 Hz. 1 min.

### Mechanical

<b>Insertion Force:</b>	5 lbs max.
<b>Pull Retention Force:</b>	20 lbs min.
<b>Durability:</b>	750 mating & unmating cycles
<b>Redcommended Soldering Temperature:</b>	Wave soldering peaked at 260°C for 5 to 8 secs max.
<b>Operating Temperature:</b>	-40°C to + 70°C
<b>UL File #:</b>	E136228

## ORDERING INFORMATION



Didn't find what you were looking for?

Please contact [sales@amphenolcanada.com](mailto:sales@amphenolcanada.com) and let us know what you need.

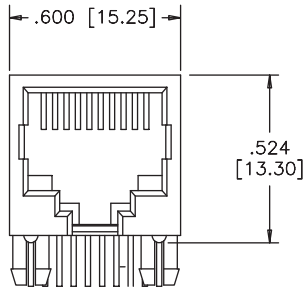
← [Click to Return to Table of Contents](#)

# RJE09

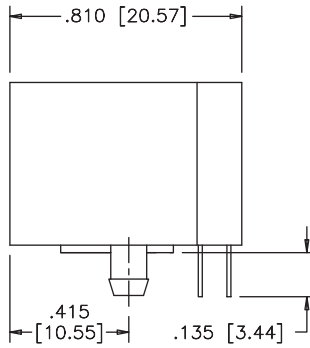
TAB DOWN, STANDARD PROFILE

## Single Port

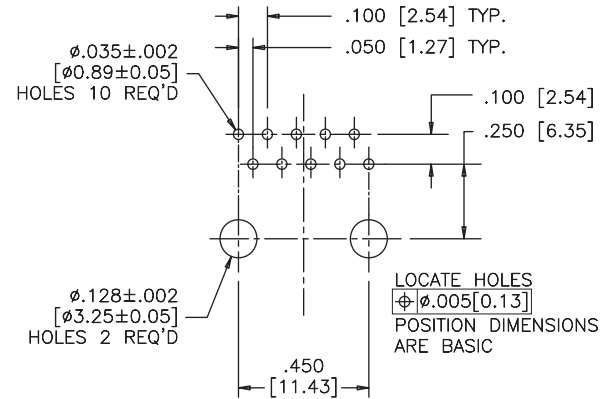
Non-Shielded



FRONT VIEW

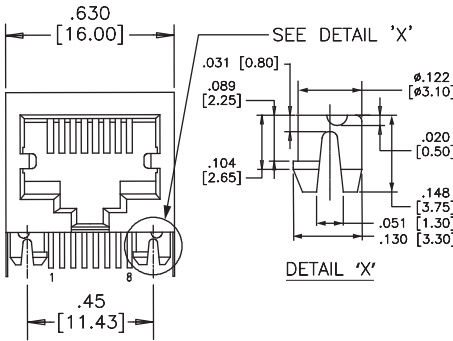


SIDE VIEW

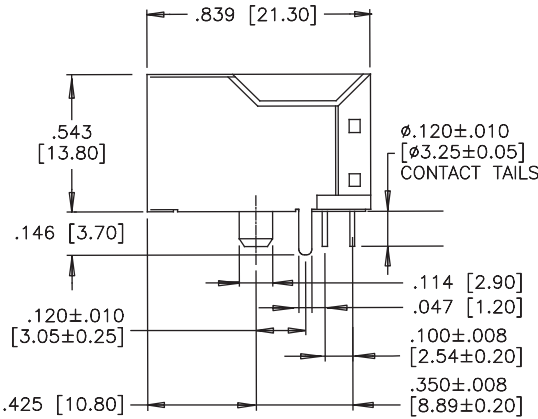


RECOMMENDED PCB LAYOUT

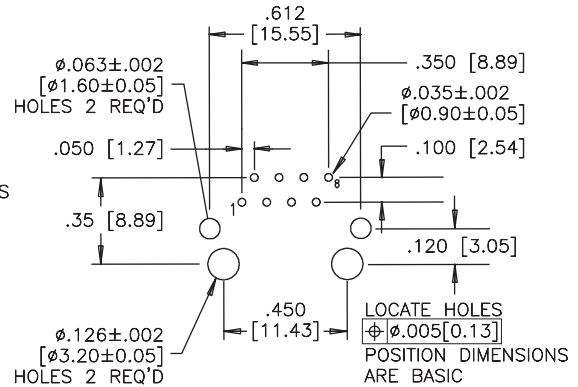
Shielded



FRONT VIEW



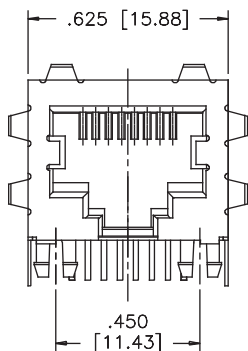
SIDE VIEW



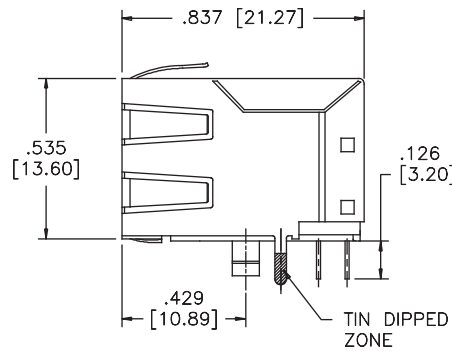
RECOMMENDED PCB LAYOUT

RJE09-188-1X10

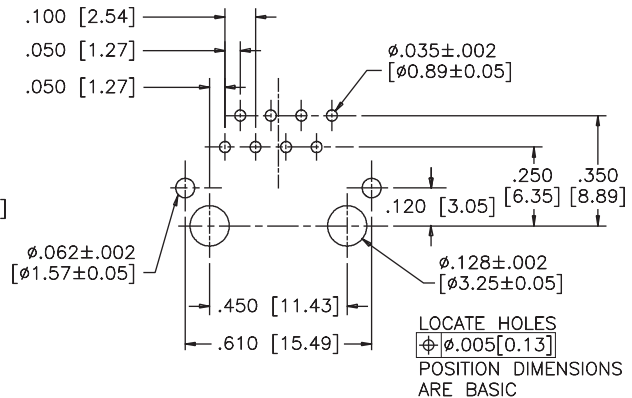
Shielded



FRONT VIEW



SIDE VIEW

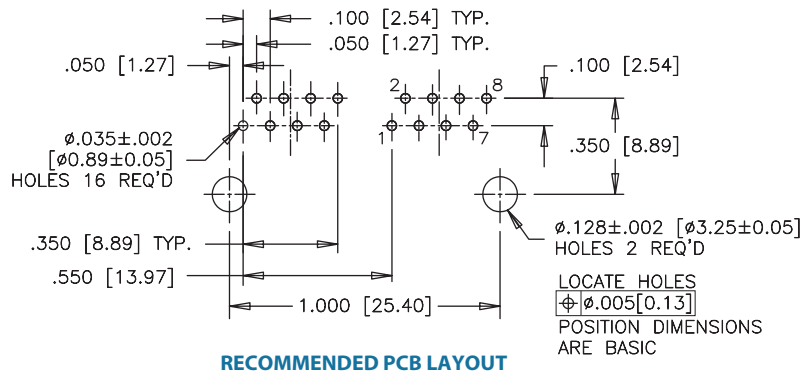
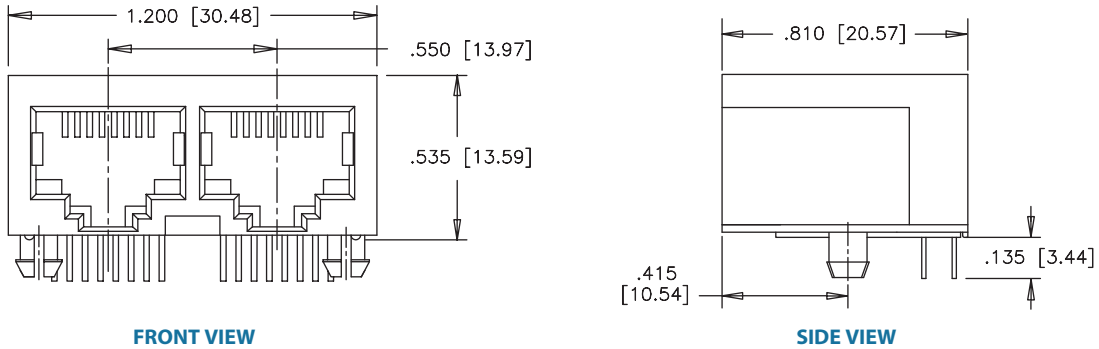


RECOMMENDED PCB LAYOUT

RJE09-188-5X10

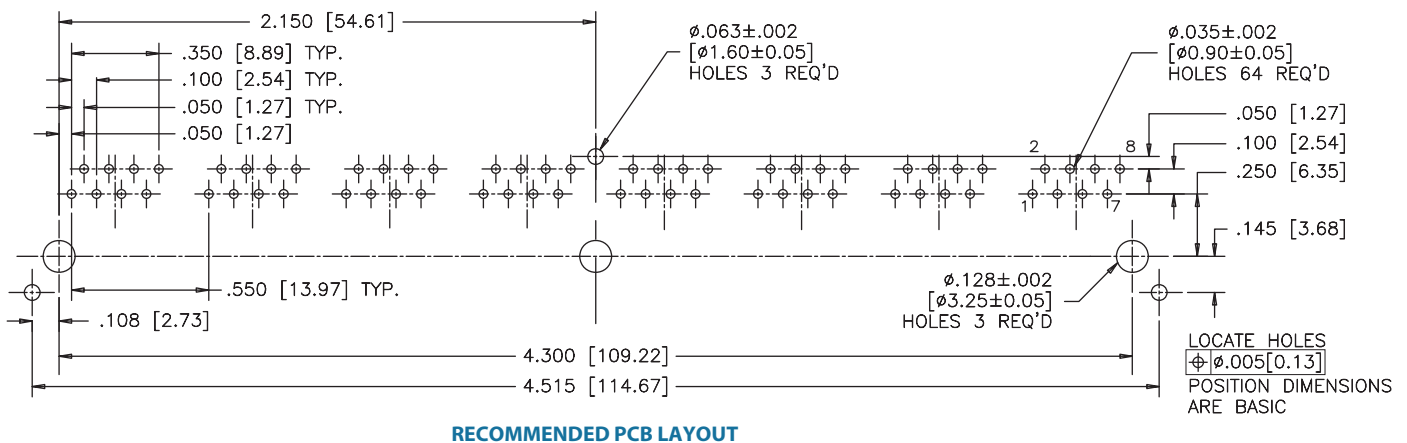
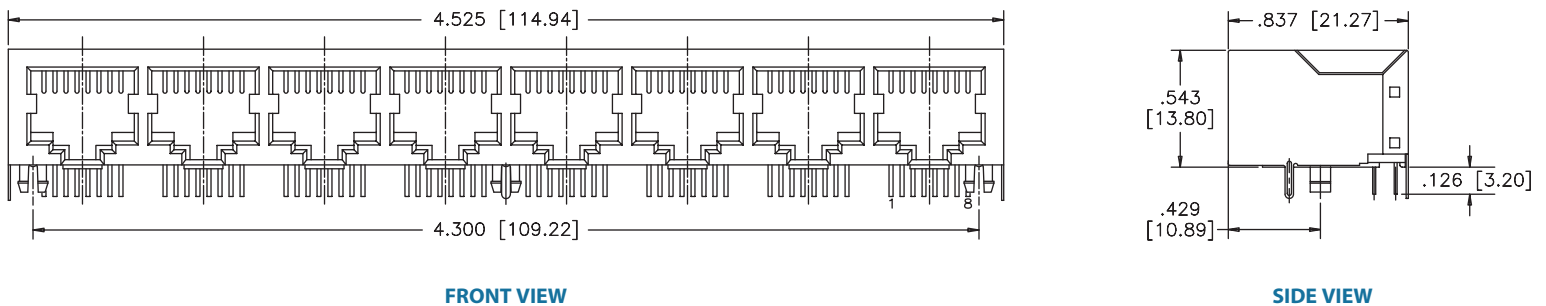
## Multi Port Non-Shielded

RJE09-288-0X10



## Shielded

RJE09-888-1X10



# RJULE

TAB DOWN, RECESSED, LOW PROFILE

## TAB DOWN, RECESSED, LOW PROFILE

RJULE is a series of single port RJ45 modular jacks designed for slim profile applications. With a profile height of less than 10 millimeters, this connector is perfect where vertical space is limited. Standard and rear mount shield options for superior EMI performance makes this part ideal for LAN and router applications.



## SPECIFICATIONS

### Material

<b>Housing:</b>	High temp. thermoplastic; Flammability rating UL 94V-0; RoHS compliant
<b>Contacts:</b>	Phosphor bronze
<b>Plating:</b>	Gold plated on mating surfaces over 50 $\mu$ " (1.27 microns) min. nickel under plate; 100 $\mu$ " (2.54 microns) min. matte tin on contact tails
<b>Shield:</b>	Copper alloy; nickel plated

### Electrical

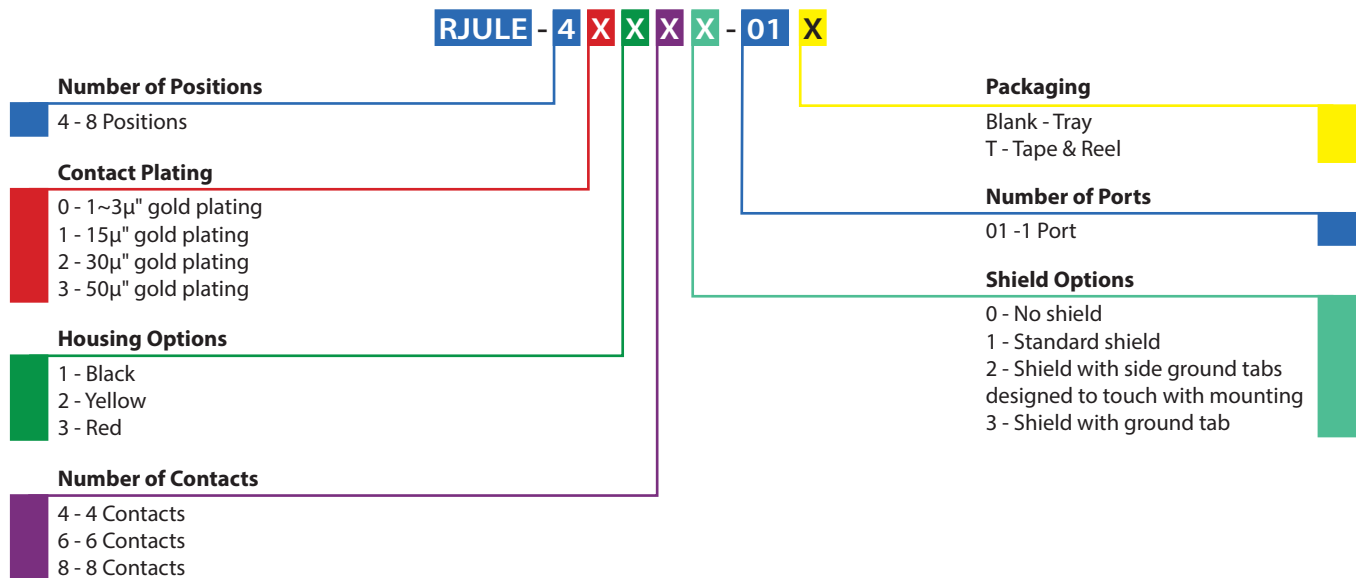
<b>Contact resistance:</b>	20 m $\Omega$ max.
<b>Insulation resistance:</b>	500 M $\Omega$ min. at 500V DC for 2 mins max.
<b>Current Rating:</b>	1.5 Amps per contact
<b>Voltage Rating:</b>	125 Volts AC
<b>DWV:</b>	1000 VAC, 60 Hz. 1 min.

### Mechanical

<b>Insertion Force:</b>	5 lbs max.
<b>Pull Retention Force:</b>	20 lbs min.
<b>Durability:</b>	750 mating & unmating cycles
<b>Redcommended Soldering Temperature:</b>	Wave soldering peaked at 260 $^{\circ}$ C for 5 secs max.
<b>Operating Temperature:</b>	-55 $^{\circ}$ C to + 85 $^{\circ}$ C
<b>UL File:</b>	E135615

\*Note: Suitable for IR Reflow

## ORDERING INFORMATION



Didn't find what you were looking for?

Please contact [sales@amphenolcanada.com](mailto:sales@amphenolcanada.com) and let us know what you need.

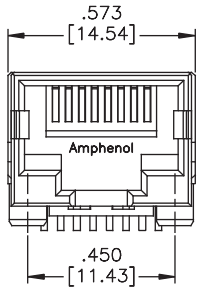
[Click to Return to Table of Contents](#)

# RJULE

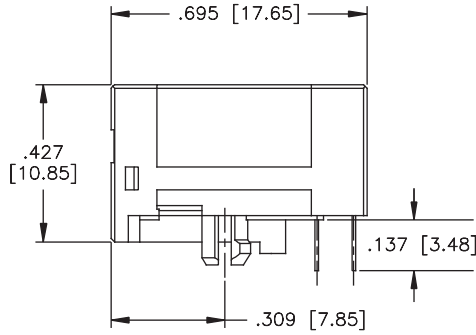
TAB DOWN, RECESSED, LOW PROFILE

## Single Port Non-Shielded

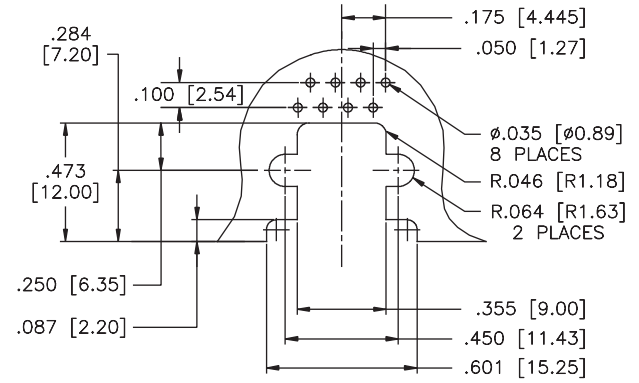
RJULE-4X180-01



FRONT VIEW



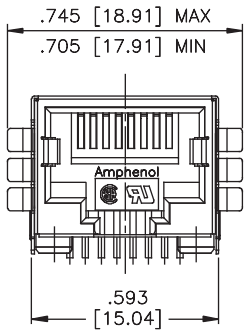
SIDE VIEW



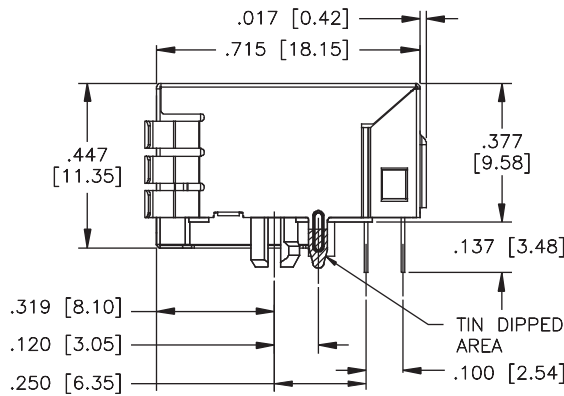
RECOMMENDED PCB LAYOUT

## Shielded with Side Ground Tabs

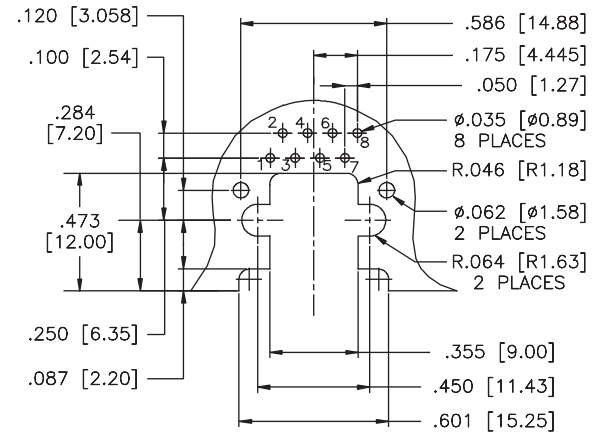
RJULE-4X182-01



FRONT VIEW



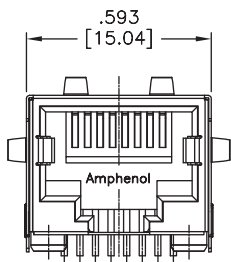
SIDE VIEW



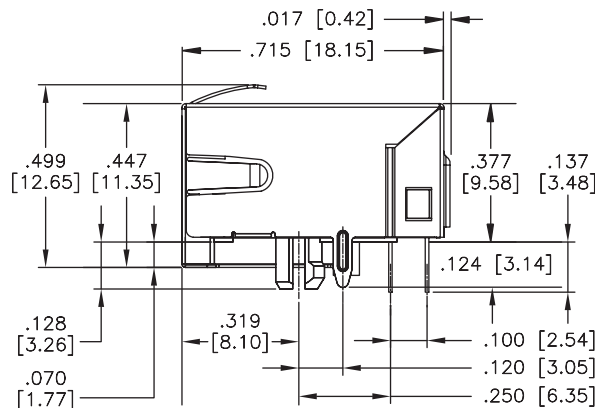
RECOMMENDED PCB LAYOUT

## Standard Shield

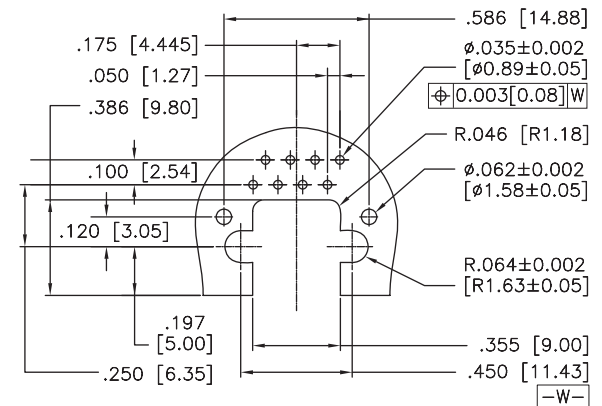
RJULE-4X181-01



FRONT VIEW



SIDE VIEW



RECOMMENDED PCB LAYOUT



# RJE73

TAB DOWN, SINGLE PORT, LOW PROFILE

## TAB DOWN, SINGLE PORT, LOW PROFILE

The RJE73 modular jack is a low profile RJ45 with LEDs and superior EMI shielding with a small footprint for space sensitive designs. This connector features built-in LEDs that provide link activity and network verification. This product is ideal for LAN applications such as adapter cards and routers.



## SPECIFICATIONS

### Material

<b>Insulator:</b>	High temp. thermoplastic; Complies with UL 94V-0; Black
<b>Contacts:</b>	Phosphor bronze hard temper with gold plating options over 50µ" min. nickel on contact mating area; 100µ" min. matte tin plating on solder tails
<b>Shield:</b>	Stainless steel with tin dipped tails
<b>LED:</b>	Tin plating on LED tails

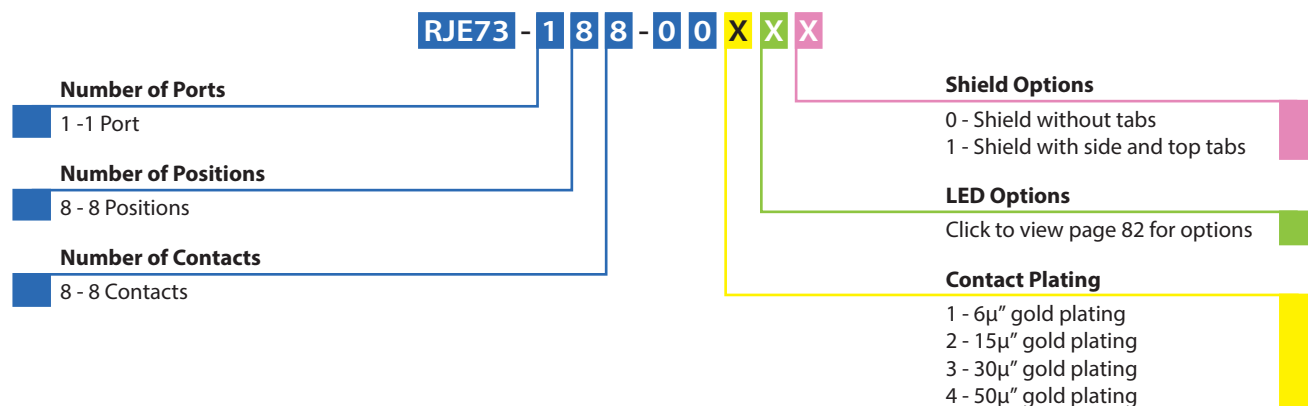
### Mechanical

<b>Insertion Force:</b>	5 lbs max.
<b>Pull Retention Force:</b>	20 lbs min.
<b>Durability:</b>	750 mating & unmating cycles
<b>Redcommended Soldering Temperature:</b>	Wave soldering peaked at 245°C for 8 to 10 secs max.
<b>Operating Temperature:</b>	-55°C to + 85°C
<b>UL File:</b>	E135615

### Electrical

<b>Contact resistance:</b>	20 mΩ max.
<b>Insulation resistance:</b>	500 MΩ min. at 500V DC for 2 mins max.
<b>Current Rating:</b>	1.0 Amps per contact
<b>Voltage Rating:</b>	125 Volts AC
<b>DWV:</b>	1000 VAC, 60 Hz. 1 min.
<b>LED Forward DC Current:</b>	20mA typical
<b>LED Forward Voltage:</b>	1.9 Volts max. at 2mA (for single colours) 2.6 Volts max. at 2mA (for bicolours)
<b>LED Reverse Voltage:</b>	5 Volts min.
<b>LED Light Intensity:</b>	0.4 to 1.5 mcd min. at 2mA (for single colours) 0.5 mcd min. at 2mA (for bicolours)
<b>LED Wave Length:</b>	Yellow: 587 ± 7 nm measured at 20mA Green: 565 ± 6 nm measured at 20mA Red: 625 ± 5 nm measured at 20mA

## ORDERING INFORMATION



Didn't find what you were looking for?

Please contact [sales@amphenolcanada.com](mailto:sales@amphenolcanada.com) and let us know what you need.

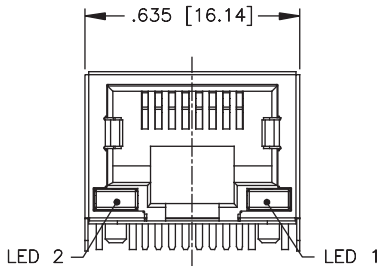
[Click to Return to Table of Contents](#)

# RJE73

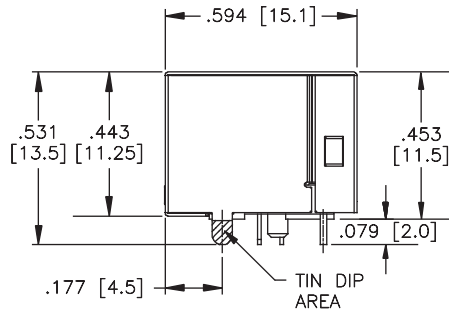
TAB DOWN, SINGLE PORT, LOW PROFILE

## Single Port Shielded - Option 0

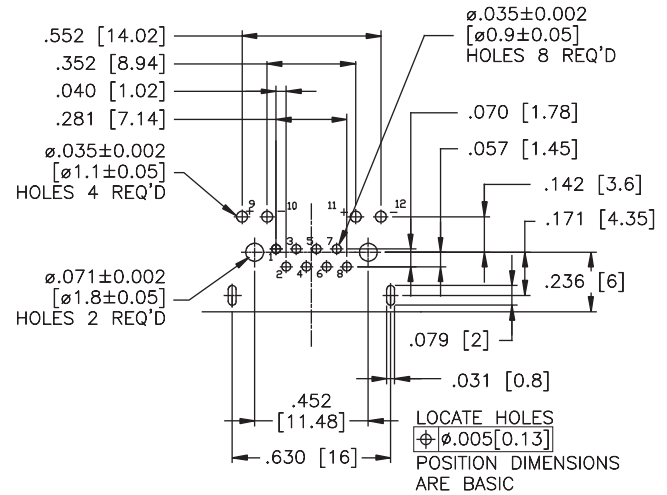
RJE73-188-00XX0



FRONT VIEW



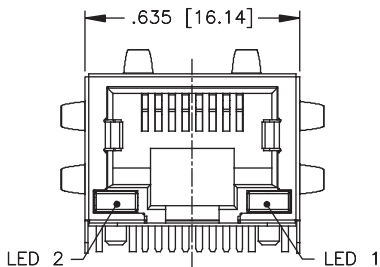
SIDE VIEW



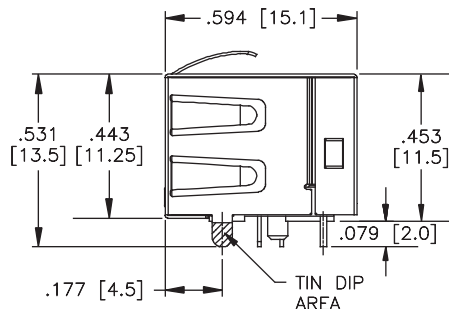
RECOMMENDED PCB LAYOUT

## Shielded - Option 1

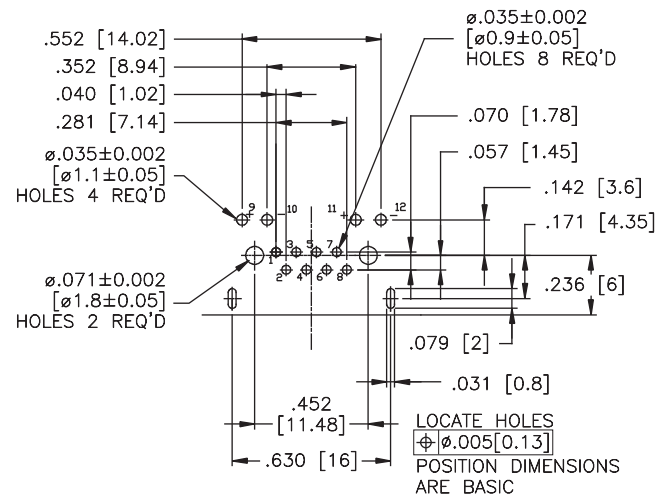
RJE73-188-00XX1



FRONT VIEW



SIDE VIEW



RECOMMENDED PCB LAYOUT

# RJSSE

TAB UP, WITH LIGHT PIPES

## TAB UP, WITH LIGHT PIPES

The RJSSE series represents an expansion of Amphenol Canada's current RJHSE series connector. The RJSSE offers all the benefits of the RJHSE series in SMT with light pipes. Shielded and non-shielded versions are available with or without light pipes.



## SPECIFICATIONS

### Material

<b>Insulator:</b>	High temp. thermoplastic; Complies with UL 94V-0; Black
<b>Contacts:</b>	Phosphor bronze hard temper with gold thickness options (6 $\mu$ ", 15 $\mu$ ", 30 $\mu$ ", 50 $\mu$ ") over 50 $\mu$ " min. nickel on contact mating area; 100 $\mu$ " min. matte tin plating on soldering tail
<b>Shield:</b>	Copper alloy; nickel or matte tin plating
<b>Light Pipe:</b>	Optical polycarbonate; UL 94V-0

### Mechanical

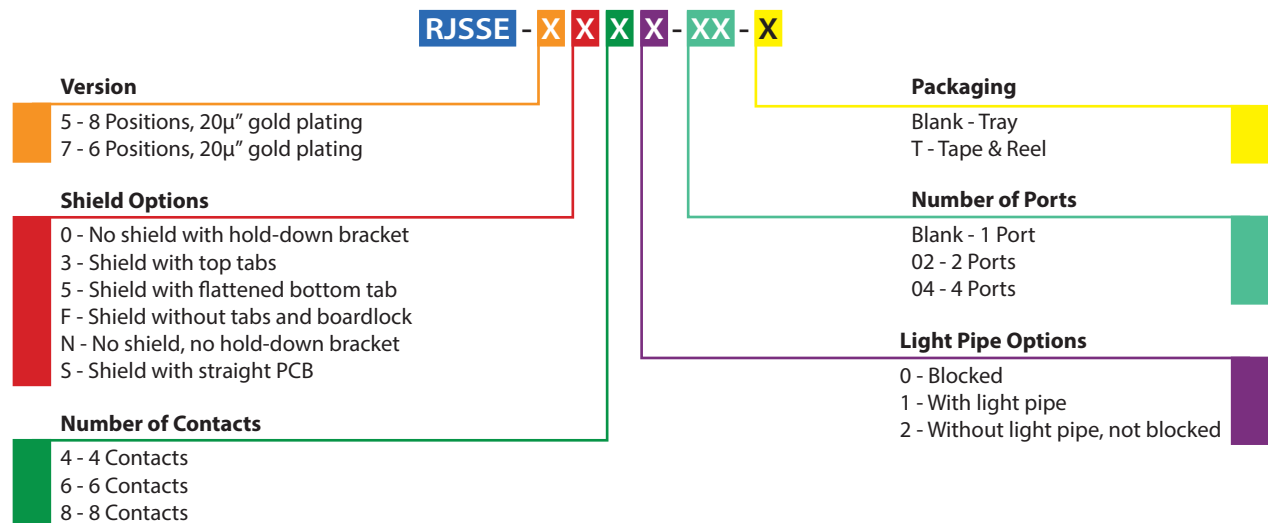
<b>Insertion Force:</b>	5 lbs max.
<b>Pull Retention Force:</b>	20 lbs min.
<b>Durability:</b>	750 mating & unmating cycles
<b>Redcommended</b>	
<b>Soldering Temperature:</b>	IR Reflow peaked at 260°C for 5 to 8 secs
<b>Operating Temperature:</b>	-55°C to + 85°C
<b>UL File #:</b>	E135615

*\*Note: Light Pipes to be installed after soldering*

### Electrical

<b>Contact resistance:</b>	20 m $\Omega$ max.
<b>Insulation resistance:</b>	500 M $\Omega$ min. at 500V DC for 2 mins max.
<b>Current Rating:</b>	1.5 Amps per contact
<b>Voltage Rating:</b>	125 Volts AC
<b>DWV:</b>	1500 VAC, 60 Hz. 1 min.

## ORDERING INFORMATION



**Note:** The light pipes are available to be purchased on their own.

Part number: RJSSE-2485-01

**Didn't find what you were looking for?**

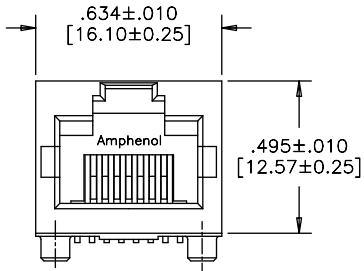
Please contact [sales@amphenolcanada.com](mailto:sales@amphenolcanada.com) and let us know what you need.

[Click to Return to Table of Contents](#)

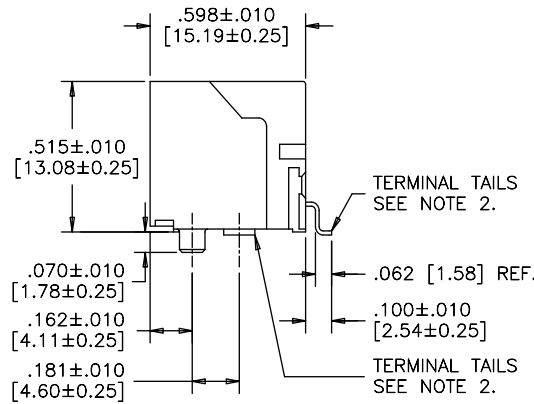
# RJSSE

TAB UP, WITH LIGHT PIPES

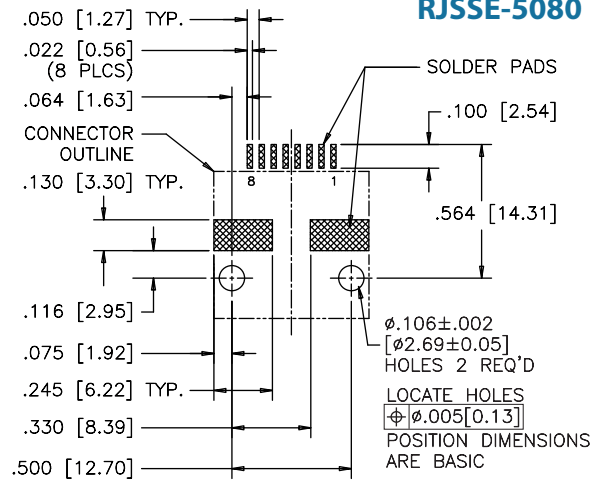
## Single Port Non-Shielded



FRONT VIEW



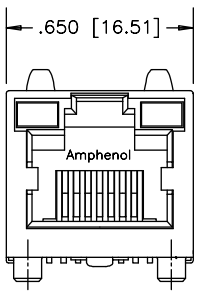
SIDE VIEW



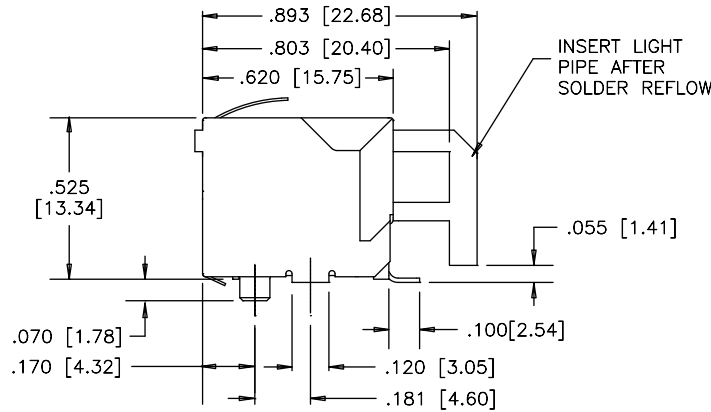
RECOMMENDED PCB LAYOUT

RJSSE-5080

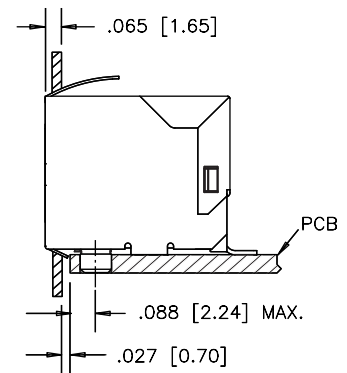
## Standard Shield - With Top & Side Ground Tabs



FRONT VIEW

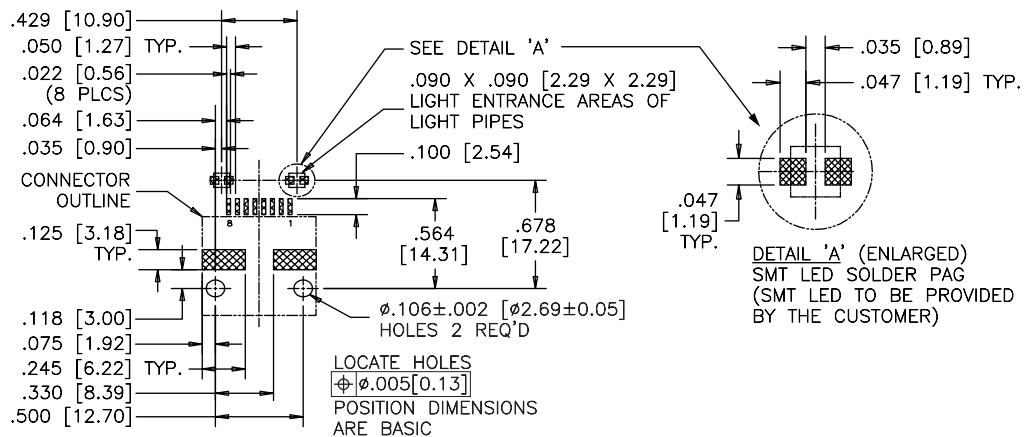


SIDE VIEW

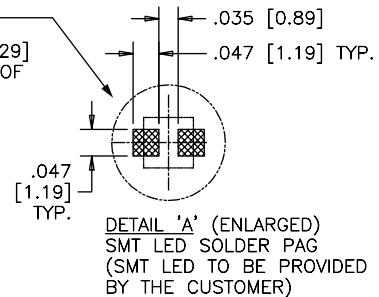


FOR REFERENCE

RJSSE-5381



RECOMMENDED PCB LAYOUT

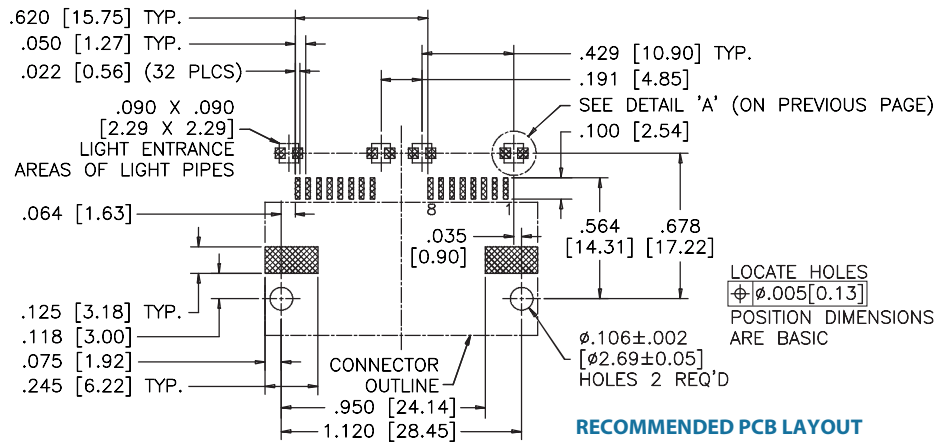
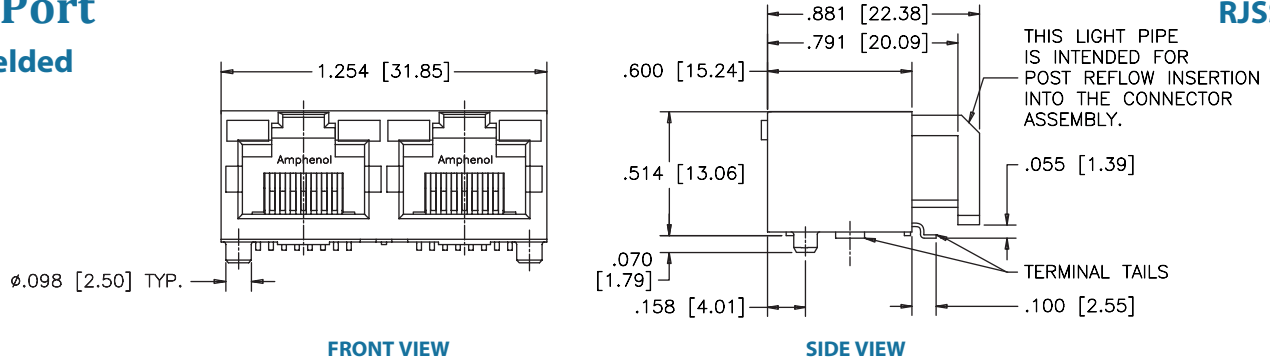


# RJSSE

TAB UP, WITH LIGHT PIPES

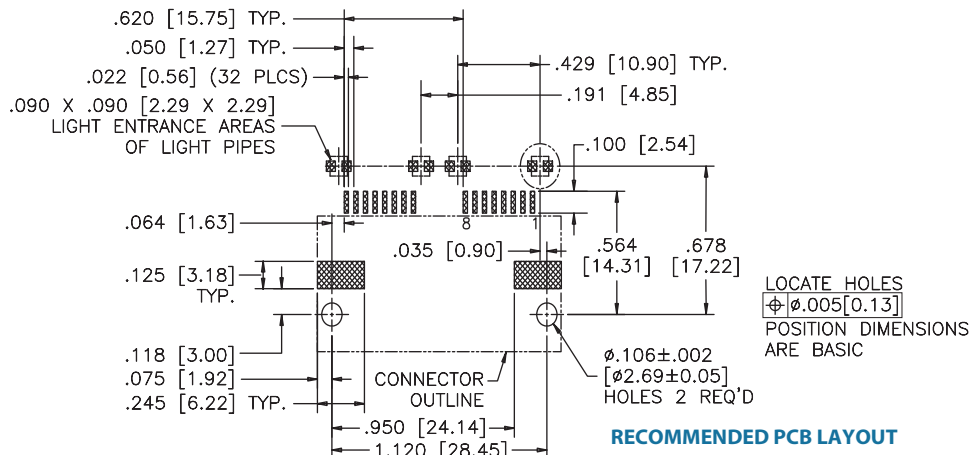
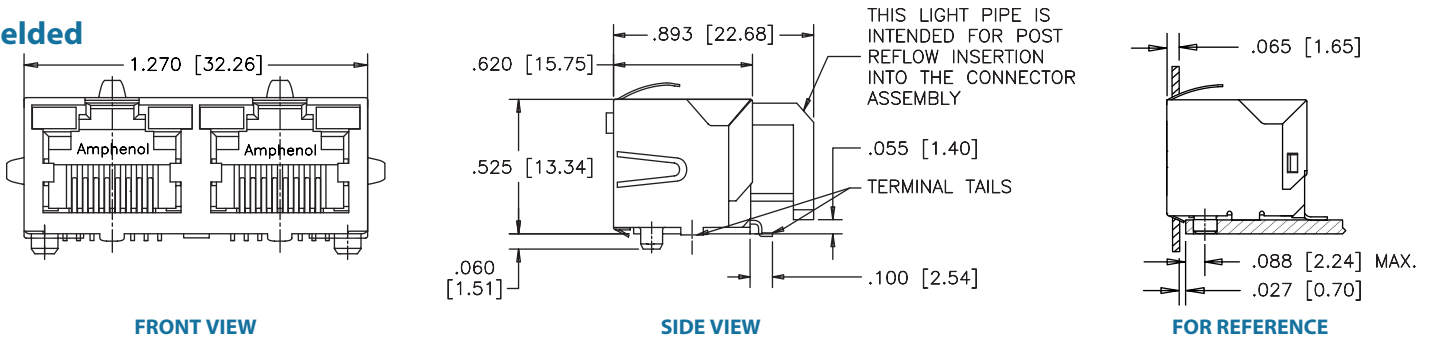
## Multi Port Non-Shielded

RJSSE-5081-02



## Multi Port Shielded

RJSSE-5381-02



## TAB UP, STANDARD PROFILE, WITH LEDS

The RJCSE is a right angle surface mount connector. Shielding is available for increased EMI performance as well as built-in LEDs for link activity and network verification. This product is ideal for LAN applications such as adapter cards and routers.



## SPECIFICATIONS

### Material

<b>Insulator:</b>	High temp. thermoplastic; Complies with UL 94V-0; Black
<b>Contacts:</b>	Phosphor bronze hard temper with gold thickness options (6μ", 15μ", 30μ", 50μ") over 50μ" min. nickel on contact mating area; 100μ" min. matte tin plating on soldering tail
<b>Shield:</b>	Stainless steel with matte-tin plating
<b>LED:</b>	Epoxy lens with tin plating on LED tails

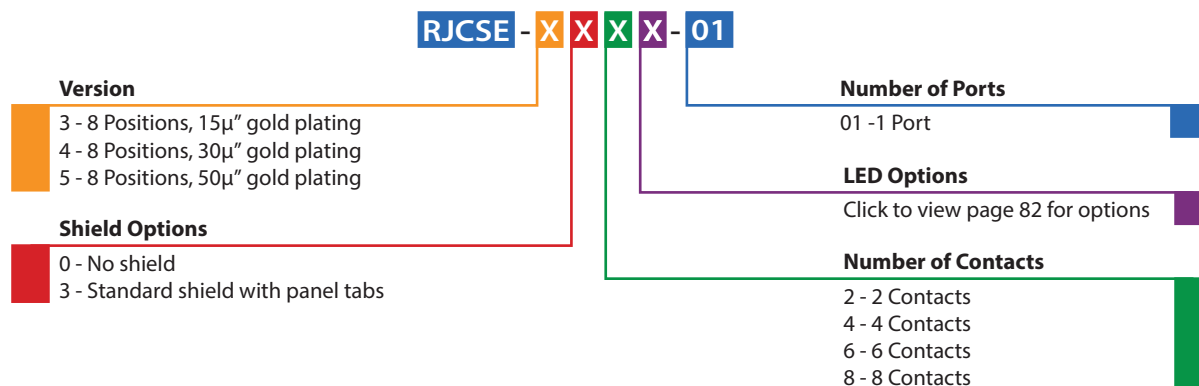
### Mechanical

<b>Insertion Force:</b>	5 lbs max.
<b>Pull Retention Force:</b>	20 lbs min.
<b>Durability:</b>	750 mating & unmating cycles
<b>Redcommended</b>	
<b>Soldering Temperature:</b>	Suitable for IR reflow at 245°C for 10 secs max.
<b>Operating Temperature:</b>	-55°C to + 85°C
<b>UL File #:</b>	E135615
<b>CSA File #:</b>	LR685398

### Electrical

<b>Contact resistance:</b>	20 mΩ max.
<b>Insulation resistance:</b>	500 MΩ min. at 500V DC for 2 mins max.
<b>Current Rating:</b>	1.5 Amps per contact
<b>Voltage Rating:</b>	125 Volts AC
<b>DWV:</b>	1000 VAC, 60 Hz. 1 min.
<b>LED Forward DC Current:</b>	20mA typical
<b>LED Forward Voltage:</b>	1.9 Volts max. at 2mA (for single colours) 2.6 Volts max. at 2mA (for bicolours)
<b>LED Reverse Voltage:</b>	5 Volts min.
<b>LED Light Intensity:</b>	0.4 to 1.5 mcd min. at 2mA (for single colours) 0.5 mcd min. at 2mA (for bicolours)
<b>LED Wave Length:</b>	Yellow: 587 ± 7 nm measured at 20mA Green: 565 ± 6 nm measured at 20mA Red: 625 ± 5 nm measured at 20mA

## ORDERING INFORMATION



Didn't find what you were looking for?

Please contact [sales@amphenolcanada.com](mailto:sales@amphenolcanada.com) and let us know what you need.

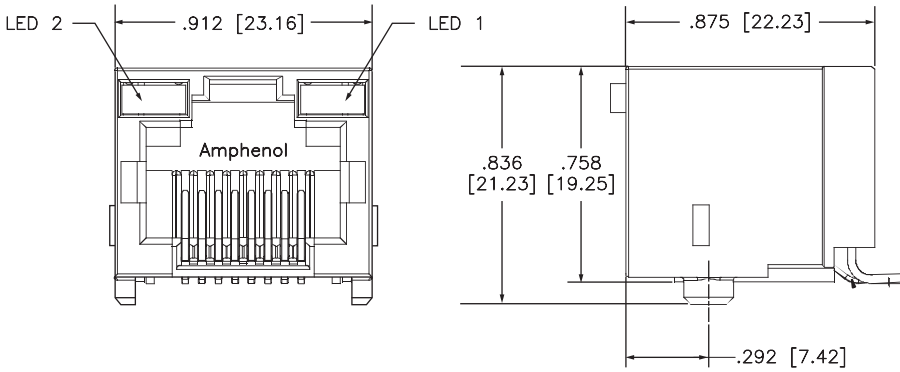
[Click to Return to Table of Contents](#)

# RJCSE

TAB UP, STANDARD PROFILE, WITH LEDs

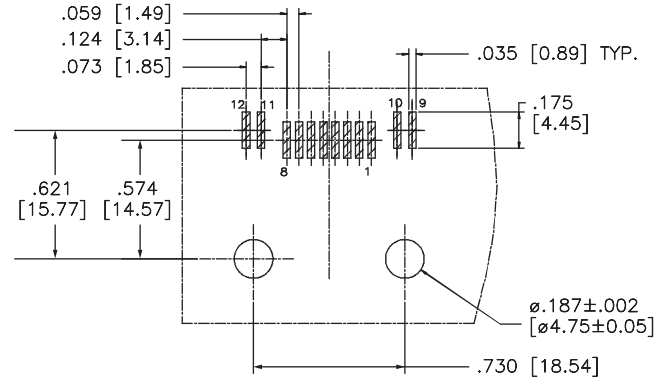
## Single Port Non-Shielded

RJCSE-508X-01



FRONT VIEW

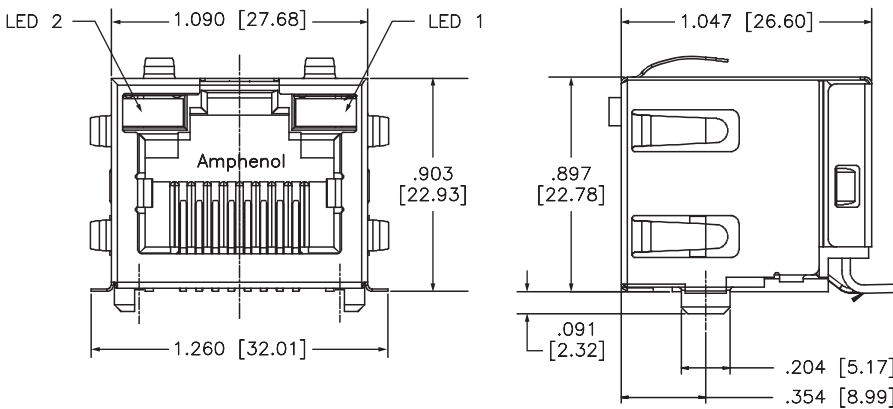
SIDE VIEW



RECOMMENDED PCB LAYOUT

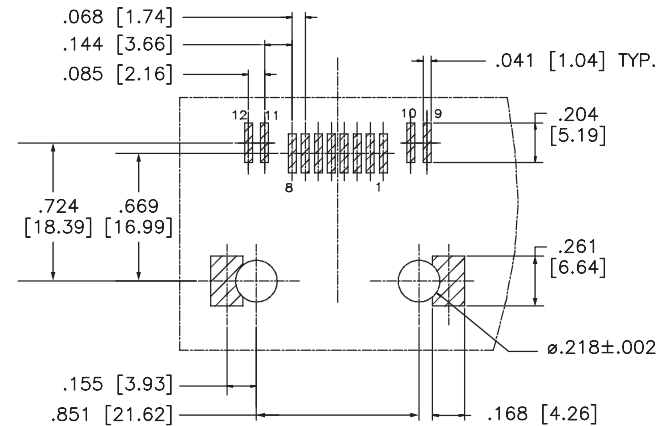
## Shielded

RJCSE-538X-01



FRONT VIEW

SIDE VIEW



RECOMMENDED PCB LAYOUT



## TAB DOWN, ULTRA LOW PROFILE

The RJLSE series contains surface mount modular jacks with superior EMI performance that supports Ethernet Protocols. This low profile connector is built to meet your high volume RJ requirements. This series is a true pick and place compatible SMT connector and is available with different shielding, contacts, gold plating thickness, and color options. This connector is built with high temperature engineering thermoplastic and suitable for the IR Reflow solder process.



## SPECIFICATIONS

### Material

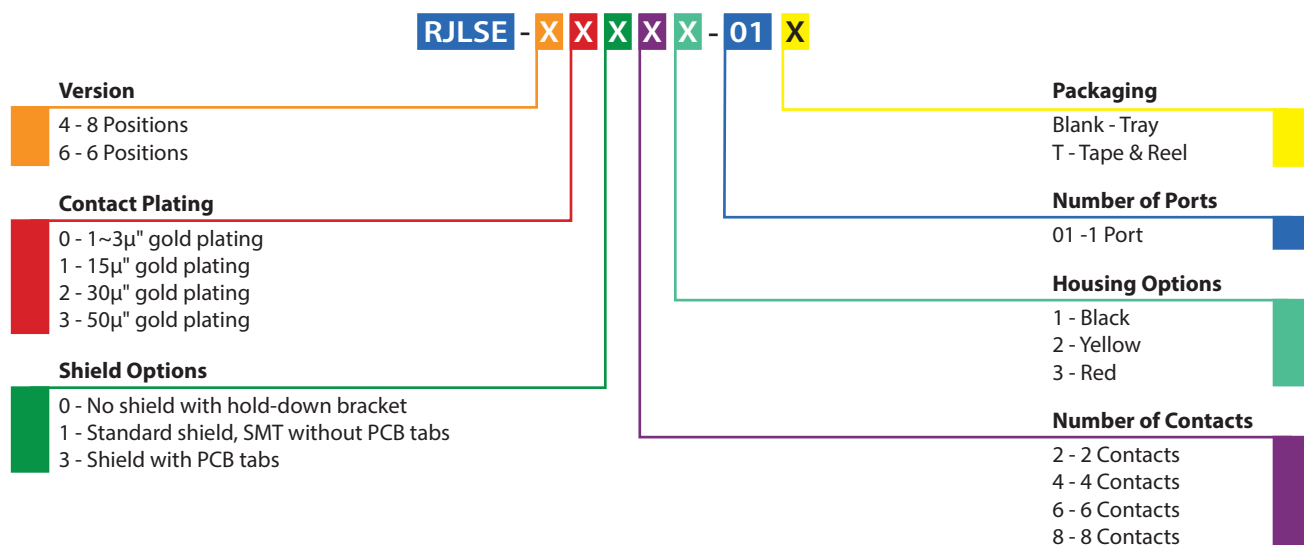
<b>Insulator:</b>	High temp. thermoplastic; Complies with UL 94V-0; Black
<b>Contacts:</b>	Phosphor bronze hard temper with gold thickness options (6 $\mu$ ", 15 $\mu$ ", 30 $\mu$ ", 50 $\mu$ ") over 50 $\mu$ " min. nickel on contact mating area; Gold flash over palladium nickel also available; 100 $\mu$ " min. matte tin plating on soldering tail
<b>Shield:</b>	Copper alloy; nickel or matte tin plated

\*Note: Other insulator colour options available

### Electrical

<b>Contact resistance:</b>	20 m $\Omega$ max.
<b>Insulation resistance:</b>	500 M $\Omega$ min. at 500V DC for 2 mins max.
<b>Current Rating:</b>	1.5 Amps per contact
<b>Voltage Rating:</b>	125 Volts AC
<b>DWV:</b>	1000 VAC, 60 Hz. 1 min.

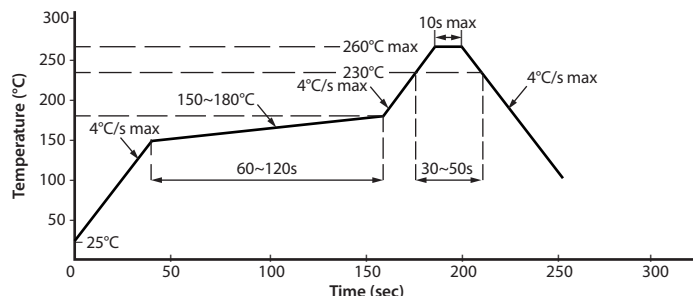
## ORDERING INFORMATION



### Mechanical

<b>Insertion Force:</b>	5 lbs max.
<b>Pull Retention Force:</b>	20 lbs min.
<b>Durability:</b>	750 mating & unmating cycles
<b>Recommended Soldering Temperature:</b>	Lead free reflow soldering up to 260°C for 10 secs max. 3 reflow passes max.
<b>Operating Temperature:</b>	-55°C to +85°C
<b>UL File #:</b>	E135615
<b>CSA File #:</b>	LR685398

\*Note: Refer to recommended reflow profile below



Didn't find what you were looking for?

Please contact [sales@amphenolcanada.com](mailto:sales@amphenolcanada.com) and let us know what you need.

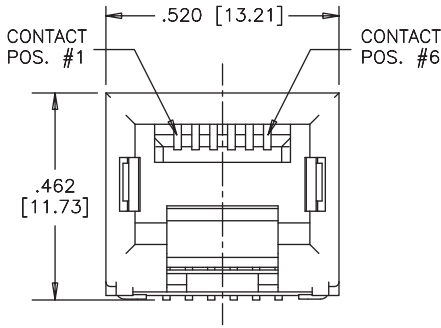
← Click to Return to Table of Contents

# RJLSE

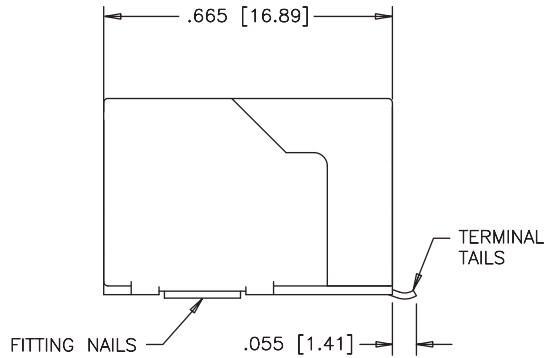
TAB DOWN, ULTRA LOW PROFILE

## Single Port Non-Shielded

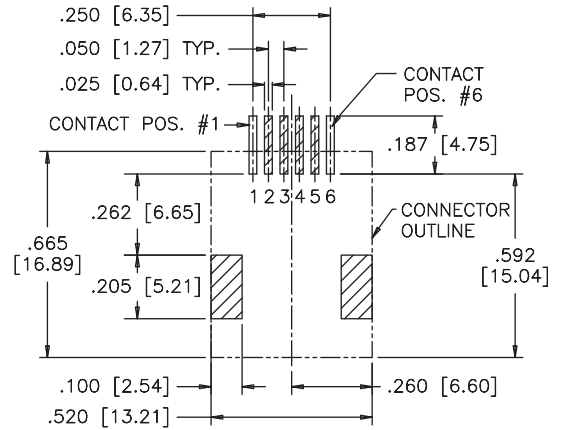
RJLSE-6X061-01



FRONT VIEW



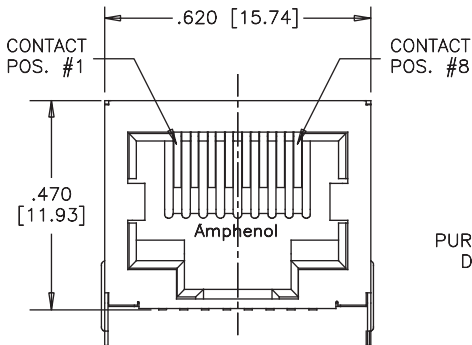
SIDE VIEW



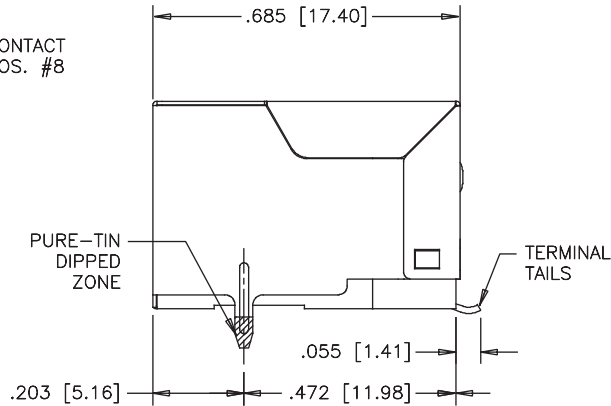
RECOMMENDED PCB LAYOUT

## Shielded

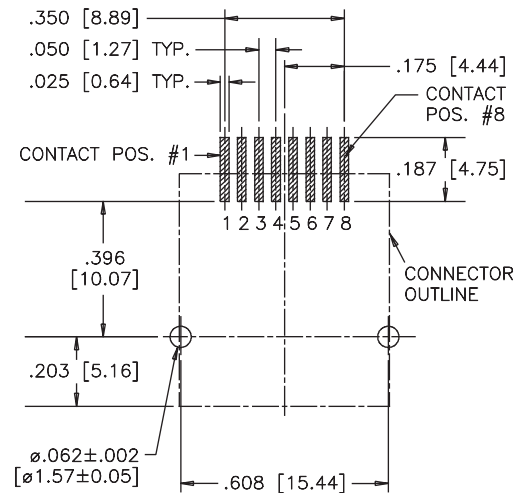
RJLSE-4X381-01



FRONT VIEW



SIDE VIEW



RECOMMENDED PCB LAYOUT

## TAB DOWN, SINGLE PORT

RJE07 products belong to a family of standard modular jacks designed to meet requirements for a variety of applications. Options within the FRJAE series offer low cost and effective EMC control within standard RJ11 & RJ45 connector footprints. EMC control is offered by a completely shielded connector and/or with the use of a high resistivity, high impedance Ferrite Block. No board layout changes are required for its use. Simply replace the standard non-filtered connector for superior EMC performance.



## SPECIFICATIONS

### Material

<b>Insulator:</b>	High temp. thermoplastic; Complies with UL 94V-0; Black
<b>Contacts:</b>	Phosphor bronze hard temper with gold thickness options (6 $\mu$ ", 15 $\mu$ ", 30 $\mu$ ", 50 $\mu$ ") over 50 $\mu$ " min. nickel on contact mating area; 100 $\mu$ " min. matte tin plating on soldering tail
<b>Shield:</b>	Copper alloy; nickel plated with tin dipped tail

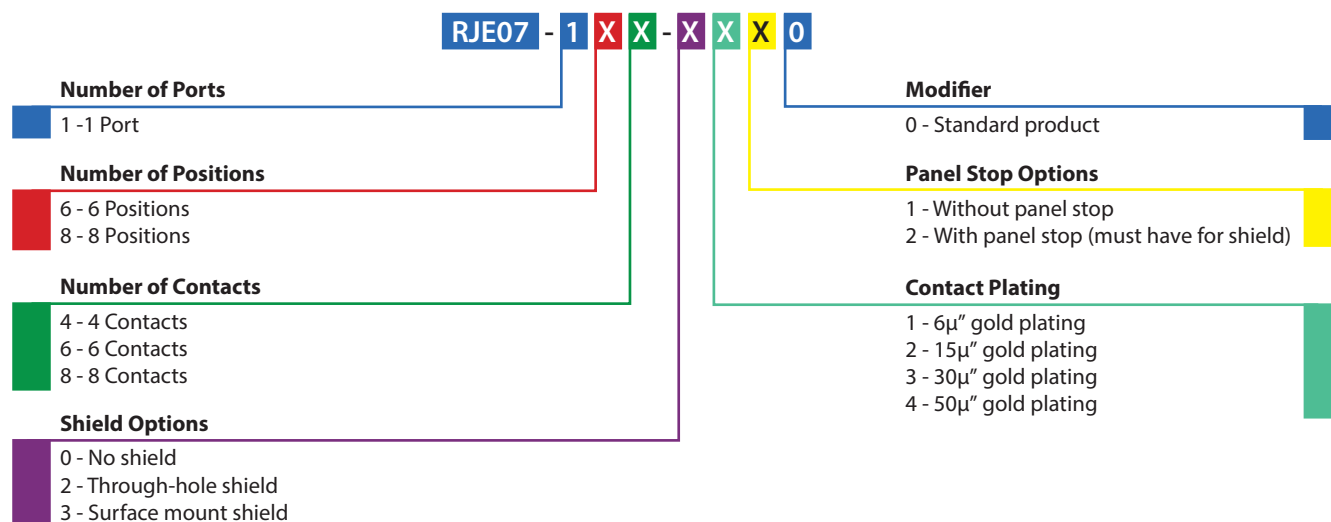
### Mechanical

<b>Insertion Force:</b>	5 lbs max.
<b>Pull Retention Force:</b>	20 lbs min.
<b>Durability:</b>	750 mating & unmating cycles
<b>Redcommended</b>	
<b>Soldering Temperature:</b>	Reflow soldering peaked at 260°C for 6 to 8 secs max.
<b>Operating Temperature:</b>	-40°C to + 85°C

### Electrical

<b>Contact resistance:</b>	20 m $\Omega$ max.
<b>Insulation resistance:</b>	500 M $\Omega$ min. at 500V DC for 2 mins max.
<b>Current Rating:</b>	1.5 Amps per contact
<b>Voltage Rating:</b>	125 Volts AC
<b>DWV:</b>	1000 VAC, 60 Hz. 1 min.

## ORDERING INFORMATION



Didn't find what you were looking for?

Please contact [sales@amphenolcanada.com](mailto:sales@amphenolcanada.com) and let us know what you need.

[Click to Return to Table of Contents](#)

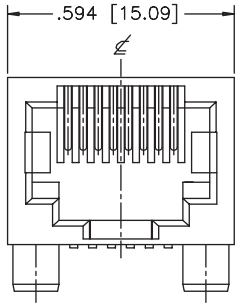
# RJE07

TAB DOWN, SINGLE PORT

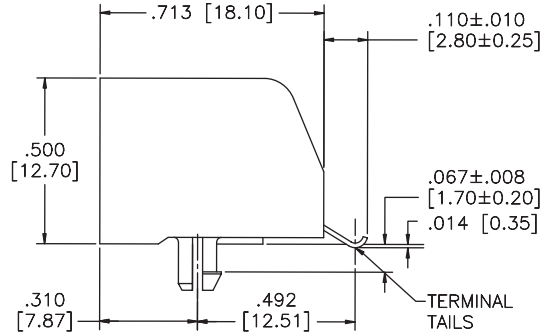
## Single Port

Non-Shielded

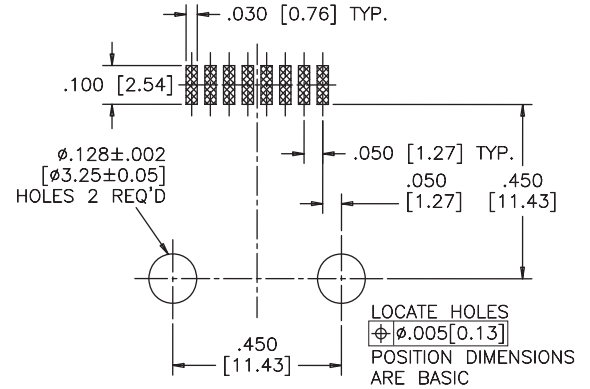
RJE07-188-0X10



FRONT VIEW



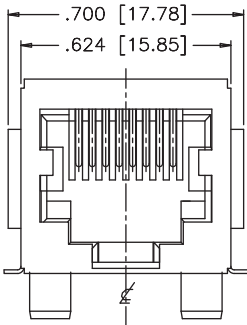
SIDE VIEW



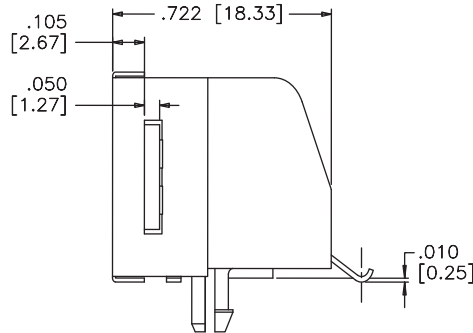
RECOMMENDED PCB LAYOUT

## Surface Mount Shield

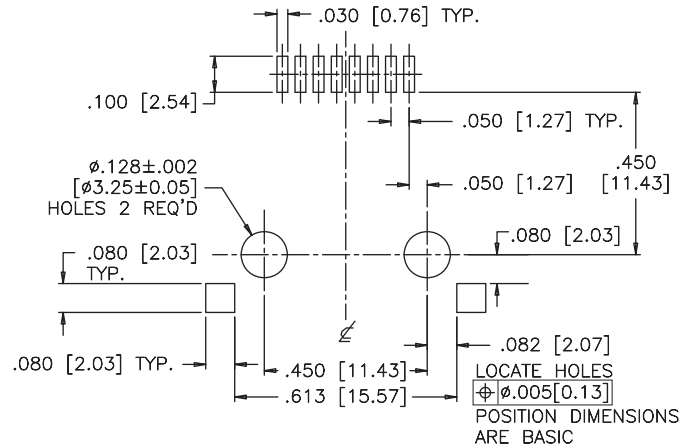
RJE07-188-3X20



FRONT VIEW



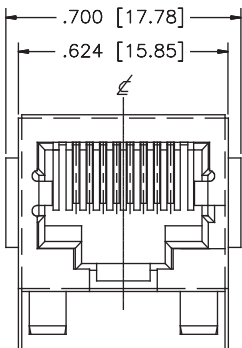
SIDE VIEW



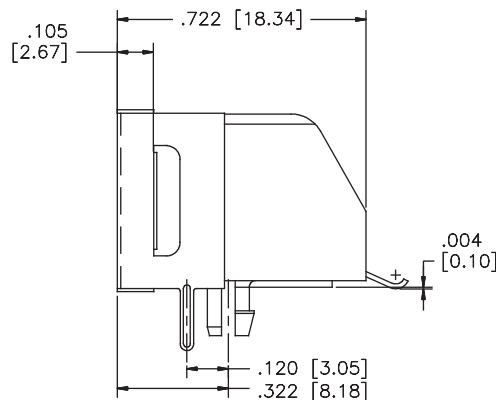
RECOMMENDED PCB LAYOUT

## Through-Hole Shield

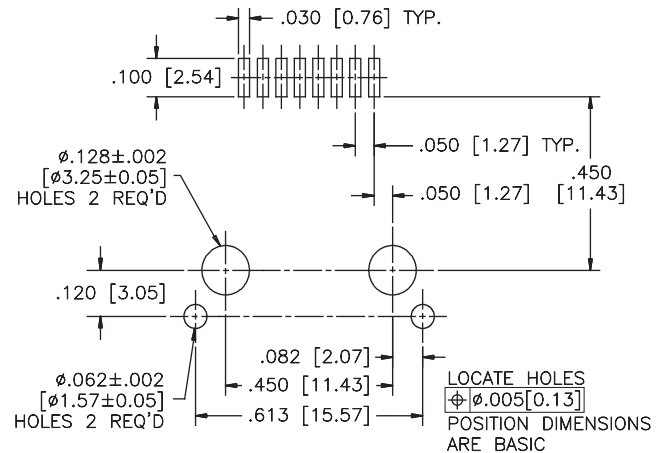
RJE07-188-2X20



FRONT VIEW



SIDE VIEW



RECOMMENDED PCB LAYOUT

## TAB DOWN, SINGLE PORT, LOW PROFILE

The RJE15 low profile connector is built to meet your high volume RJ requirements. This is a true pick and place compatible SMT connector and is available with or without shielding, as well as with a variety of options including number of contacts, plating thickness, and color. This connector is built with high temperature engineering thermoplastic and suitable for IR Reflow solder process.



## SPECIFICATIONS

### Material

<b>Insulator:</b>	High temp. thermoplastic; Complies with UL 94V-0; Black
<b>Contacts:</b>	Phosphor bronze hard temper with gold thickness options (6 $\mu$ " , 15 $\mu$ " , 30 $\mu$ " , 50 $\mu$ " ) over 50 $\mu$ " min. nickel on contact mating area; 100 $\mu$ " min. matte tin or gold flash plating on tail area
<b>Shield:</b>	Copper alloy; nickel plating overall

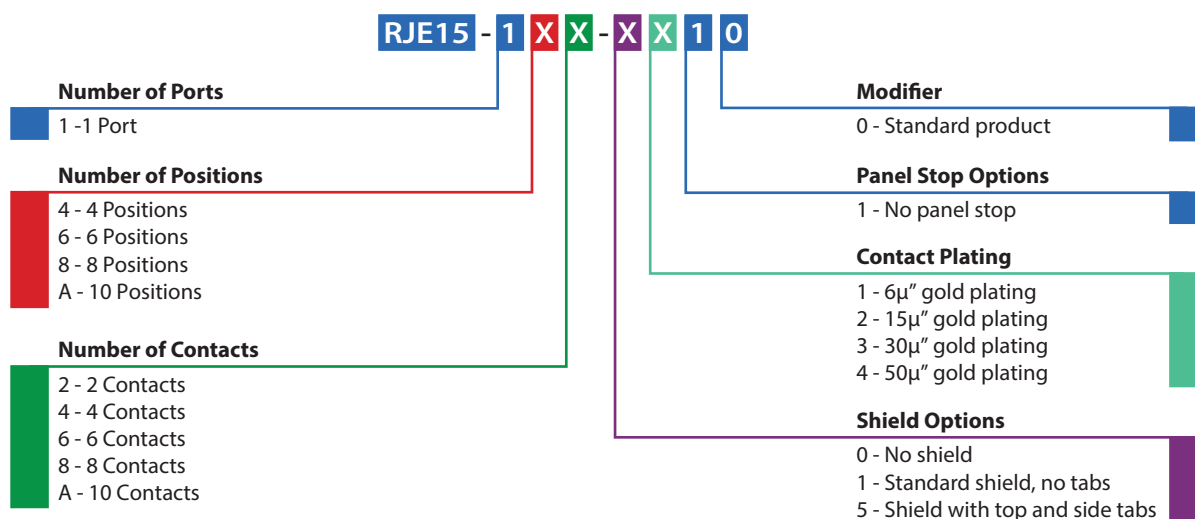
### Mechanical

<b>Insertion Force:</b>	5 lbs max.
<b>Pull Retention Force:</b>	20 lbs min.
<b>Durability:</b>	750 mating & unmating cycles
<b>Redcommended Soldering Temperature:</b>	Wave soldering peaked at 260°C for 5 to 8 secs max.
<b>Operating Temperature:</b>	-40°C to + 70°C

### Electrical

<b>Contact resistance:</b>	25 m $\Omega$ max.
<b>Insulation resistance:</b>	1000 M $\Omega$ min. at 500V DC for 2 mins max.
<b>Current Rating:</b>	1.5 Amps per contact
<b>Voltage Rating:</b>	125 Volts AC
<b>DWV:</b>	1000 VAC, 60 Hz. 1 min.

## ORDERING INFORMATION



Didn't find what you were looking for?

Please contact [sales@amphenolcanada.com](mailto:sales@amphenolcanada.com) and let us know what you need.

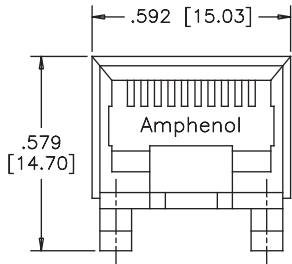
[Click to Return to Table of Contents](#)

# RJE15

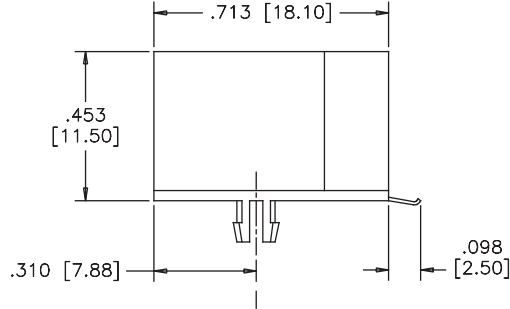
TAB DOWN, SINGLE PORT, LOW PROFILE

## Single Port Non-Shielded

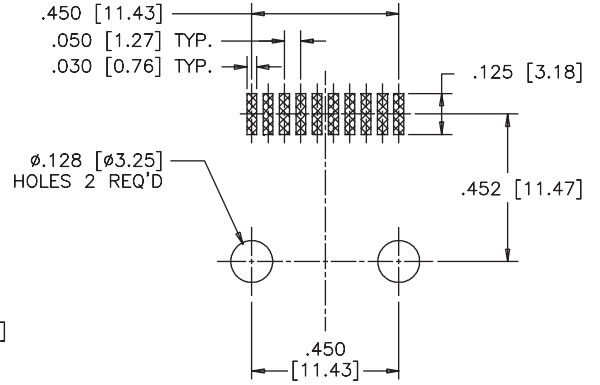
RJE15-1AA-0X10



FRONT VIEW



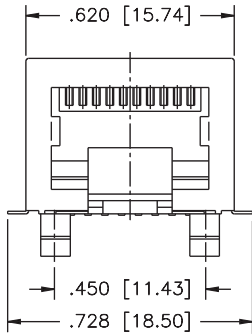
SIDE VIEW



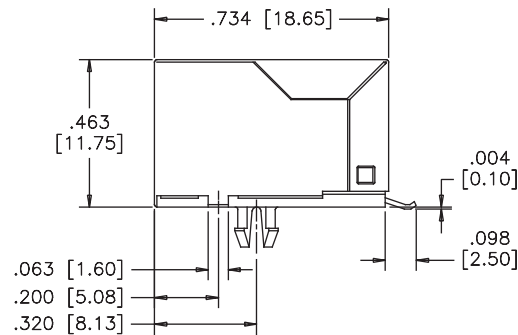
RECOMMENDED PCB LAYOUT

## Shielded

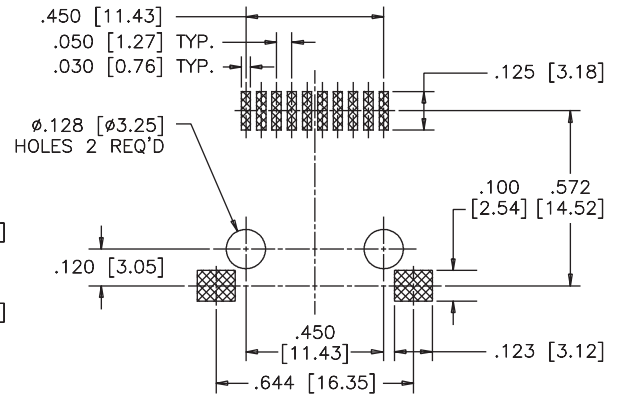
RJE15-1AA-1X10



FRONT VIEW



SIDE VIEW



RECOMMENDED PCB LAYOUT

## Notes

## TAB DOWN, RJ45

The RJE56 series is designed for applications where soldering is not an option. The press fit contacts and shield tabs have the “eye of the needle” design and provide good PCB retention as well as reliable electrical performance.



## SPECIFICATIONS

### Material

<b>Insulator:</b>	PBT material; Complies with UL 94V-0; Black
<b>Contacts:</b>	Phosphor bronze hard temper with gold thickness options (6μ", 15μ", 30μ", 50μ") over 50μ" min. nickel on contact mating area; 100μ" min. tin lead plating on press fit tail
<b>Shield:</b>	Stainless steel

### Electrical

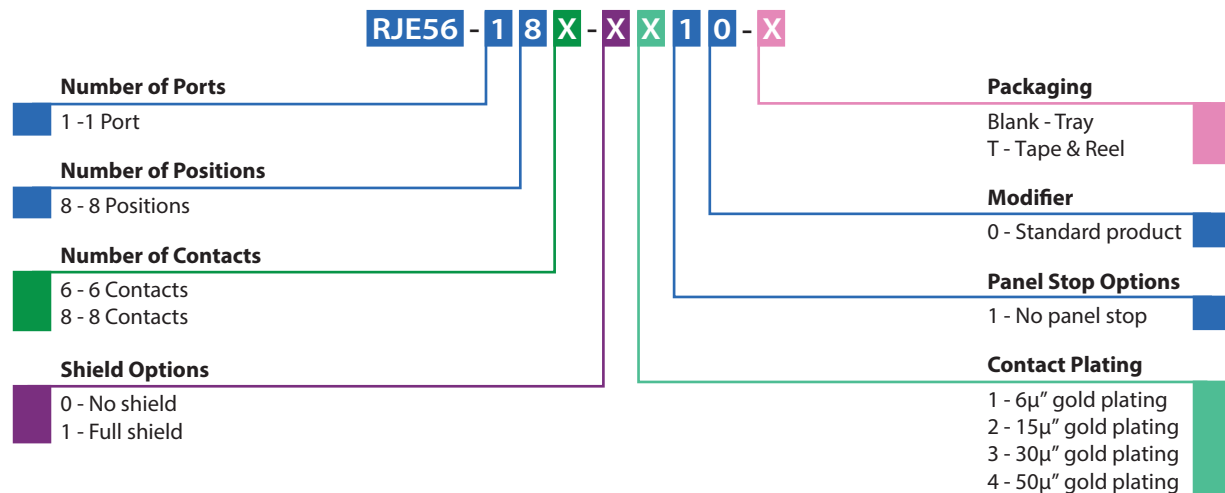
<b>Contact resistance:</b>	20 mΩ max.
<b>Insulation resistance:</b>	500 MΩ min. at 500V DC for 2 mins max.
<b>Current Rating:</b>	1.5 Amps per contact
<b>Voltage Rating:</b>	125 Volts AC
<b>DWV:</b>	1000 VAC, 60 Hz. 1 min.

### Mechanical

<b>Insertion Force:</b>	5 lbs max.
<b>Pull Retention Force:</b>	20 lbs min.
<b>Durability:</b>	750 mating & unmating cycles
<b>Redcommended Soldering Temperature:</b>	Wave soldering peaked at 260°C for 5 to 8 secs max.
<b>Operating Temperature:</b>	-55°C to + 85°C

\*Note: Suitable for IR Reflow

## ORDERING INFORMATION



Didn't find what you were looking for?

Please contact [sales@amphenolcanada.com](mailto:sales@amphenolcanada.com) and let us know what you need.

← [Click to Return to Table of Contents](#)

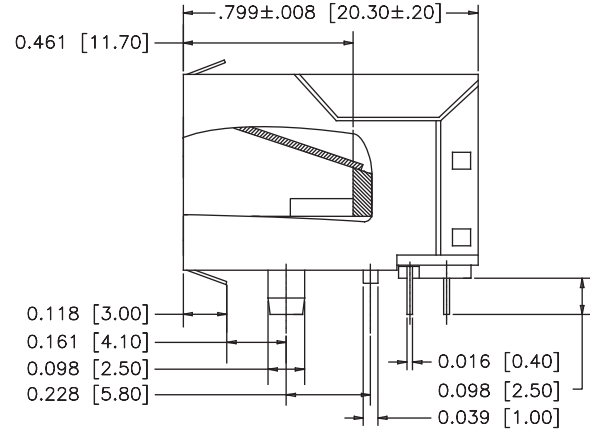
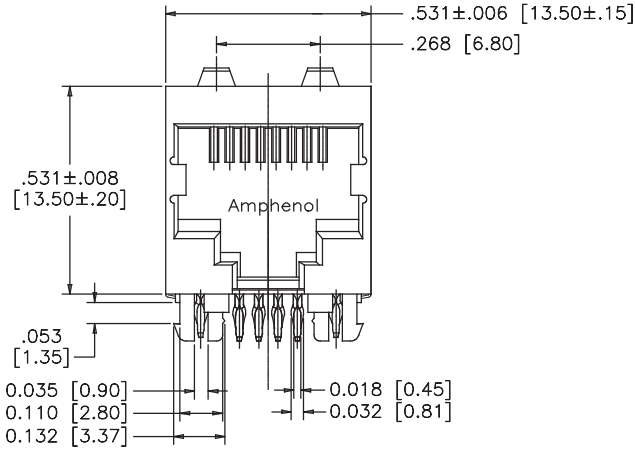


# RJE56

TAB DOWN, RJ45

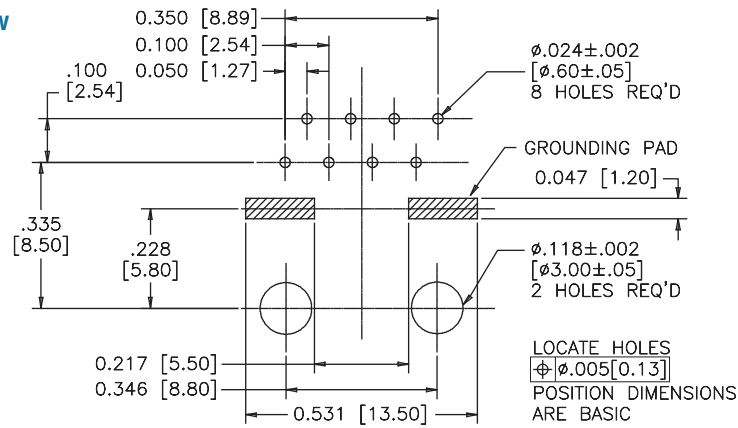
## Single Port Shielded

RJE56-188-1X10



FRONT VIEW

SIDE VIEW



RECOMMENDED PCB LAYOUT

### Notes

## SINGLE PORT, SLIM PROFILE

RJE06 series is a group of products within a family of standard modular jacks designed to meet requirements for a variety of applications. Options within the RJE06 family include shielded & non-shielded, and 8P8C configurations.



## SPECIFICATIONS

### Material

<b>Insulator:</b>	Engineering thermoplastic; Complies with UL 94V-0; Black
<b>Contacts:</b>	Phosphor bronze hard temper with gold thickness options (6µ", 15µ", 30µ", 50µ") over 50µ" min. nickel on contact mating area; 100µ" min. matte tin or gold flash plating on tail area
<b>Shield:</b>	Copper alloy; nickel plating overall

### Electrical

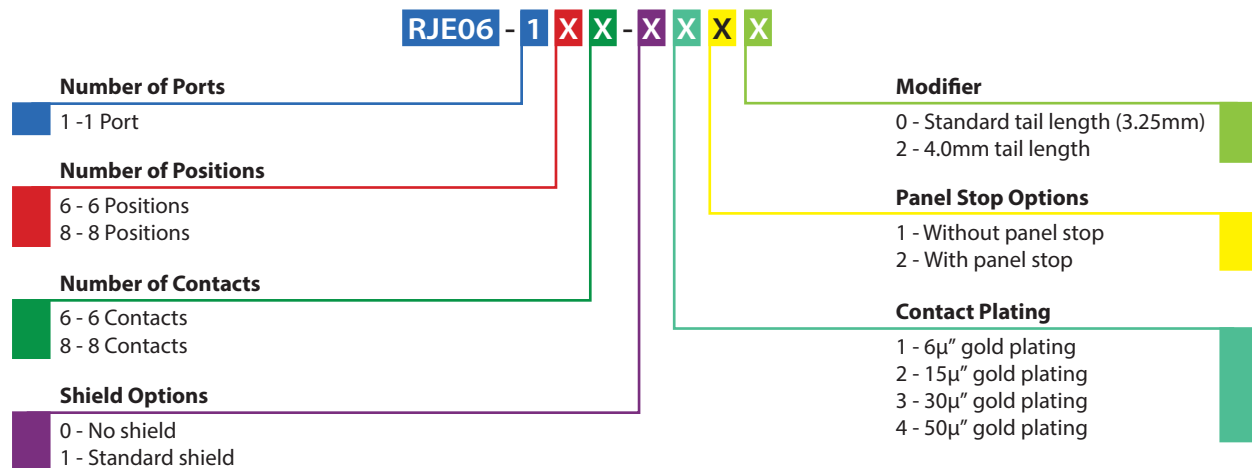
<b>Contact resistance:</b>	20 mΩ max.
<b>Insulation resistance:</b>	500 MΩ min. at 500V DC for 2 mins max.
<b>Current Rating:</b>	1.5 Amps per contact
<b>Voltage Rating:</b>	125 Volts AC
<b>DWV:</b>	1000 VAC, 60 Hz. 1 min.

### Mechanical

<b>Insertion Force:</b>	5 lbs max.
<b>Pull Retention Force:</b>	20 lbs min.
<b>Durability:</b>	750 mating & unmating cycles
<b>Redcommended Soldering Temperature:</b>	Wave soldering peaked at 260°C for 5 secs max.
<b>Operating Temperature:</b>	-40°C to + 70°C
<b>UL File:</b>	E136228

*\*Note: Connectors with high temp. material are suitable for IR Reflow*

## ORDERING INFORMATION



Didn't find what you were looking for?

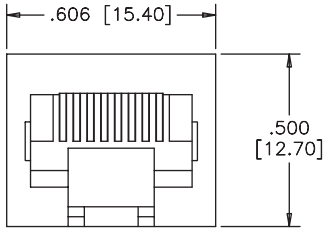
Please contact [sales@amphenolcanada.com](mailto:sales@amphenolcanada.com) and let us know what you need.

← [Click to Return to Table of Contents](#)

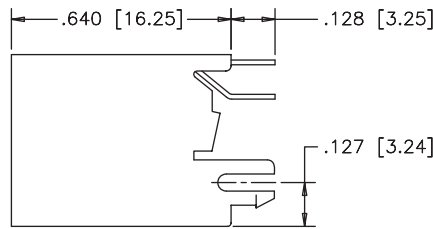
# RJE06

SINGLE PORT, SLIM PROFILE

## Single Port Non-Shielded

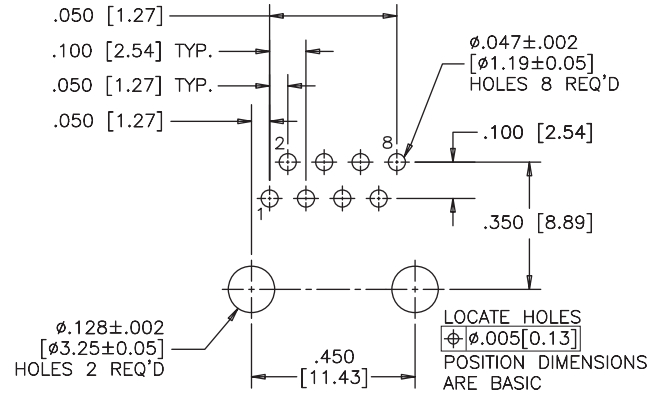


FRONT VIEW



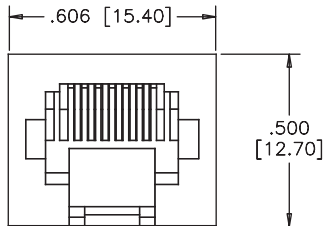
SIDE VIEW

## RJE06-188-0X10

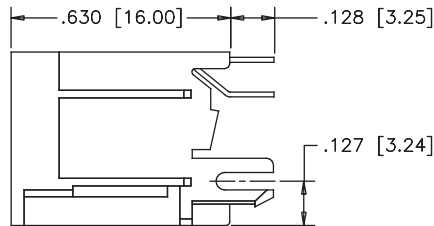


RECOMMENDED PCB LAYOUT

## Non-Shielded

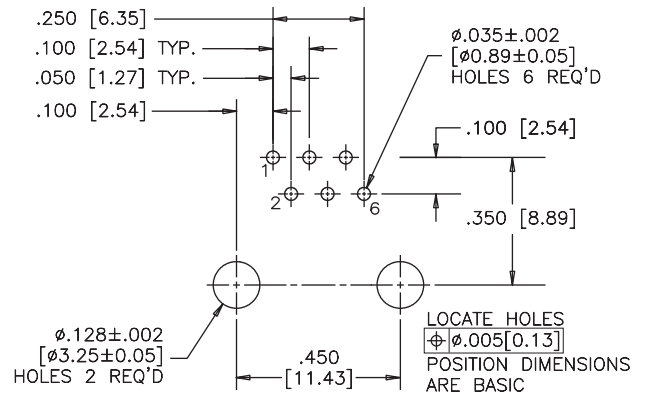


FRONT VIEW



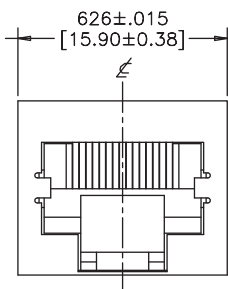
SIDE VIEW

## RJE06-166-0X10

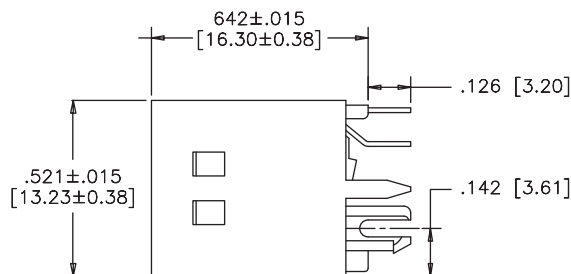


RECOMMENDED PCB LAYOUT

## Standard Shield

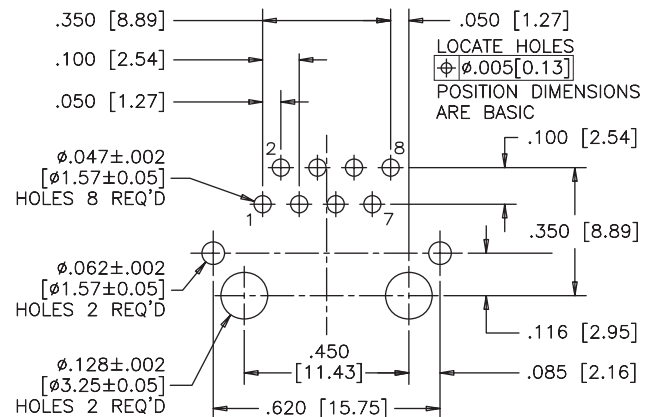


FRONT VIEW



SIDE VIEW

## RJE06-188-1X10



RECOMMENDED PCB LAYOUT

## SINGLE PORT, STANDARD PROFILE

RJE08 series is a group of products within a family of standard modular jacks designed to meet requirements for a variety of applications. Options within the RJE08 include with and without panel stops, and RJ11 & RJ45 configurations.



## SPECIFICATIONS

### Material

<b>Insulator:</b>	Engineering thermoplastic; Complies with UL 94V-0; Black
<b>Contacts:</b>	Phosphor bronze hard temper with gold thickness options (6µ", 15µ", 30µ", 50µ") over 50µ" min. nickel on contact mating area; 100µ" min. matte tin or gold flash plating on tail area

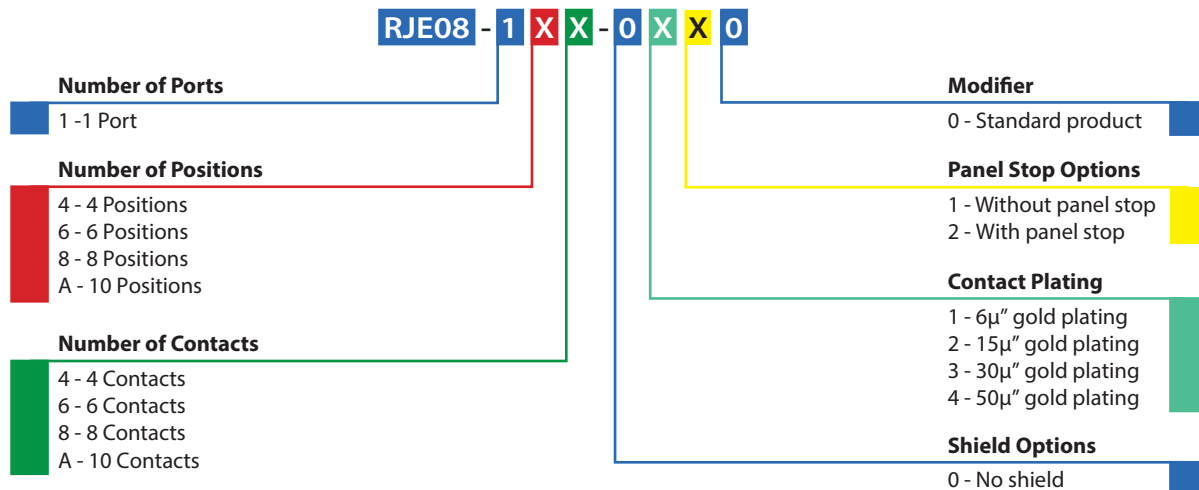
### Electrical

<b>Contact resistance:</b>	25 mΩ max.
<b>Insulation resistance:</b>	500 MΩ min. at 500V DC for 2 mins max.
<b>Current Rating:</b>	1.5 Amps per contact
<b>Voltage Rating:</b>	125 Volts AC
<b>DWV:</b>	1000 VAC, 60 Hz. 1 min.

### Mechanical

<b>Insertion Force:</b>	5 lbs max.
<b>Pull Retention Force:</b>	20 lbs min.
<b>Durability:</b>	750 mating & unmating cycles
<b>Redcommended Soldering Temperature:</b>	Wave soldering peaked at 260°C for 5 secs max.
<b>Operating Temperature:</b>	-40°C to + 70°C
<b>UL File:</b>	E136228

## ORDERING INFORMATION



Didn't find what you were looking for?

Please contact [sales@amphenolcanada.com](mailto:sales@amphenolcanada.com) and let us know what you need.

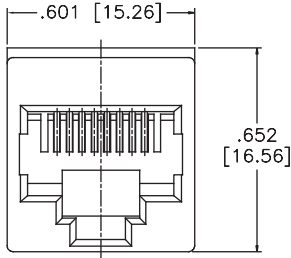
[Click to Return to Table of Contents](#)

# RJE08

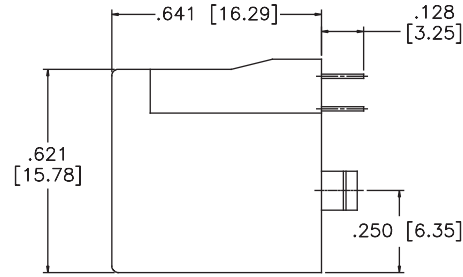
SINGLE PORT, STANDARD PROFILE

## Single Port Non-Shielded

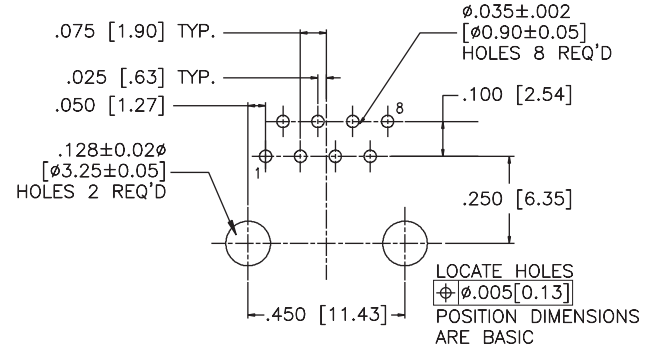
RJE08-188-0X10



FRONT VIEW



SIDE VIEW



RECOMMENDED PCB LAYOUT

## Notes

## SINGLE PORT, SURFACE MOUNT

The RJE23 series is designed for high volume production where a vertical modular jack is required. Shielding provides increased EMI performance. Surface mount contacts and hold-down nail bracket assist in speeding up the production process.



## SPECIFICATIONS

### Material

<b>Insulator:</b>	High temp. thermoplastic; Complies with UL 94V-0; Black
<b>Contacts:</b>	Phosphor bronze hard temper with gold thickness options (6μ", 15μ", 30μ", 50μ") over 50μ" min. nickel on contact mating area; 100μ" min. matte tin over nickel on soldering tail
<b>Shield:</b>	Copper alloy; matte tin plating
<b>Hold Down:</b>	Copper alloy; matte tin plating
<b>Coplanarity:</b>	0.004" max. gap between all terminal tails

### Mechanical

<b>Insertion Force:</b>	5 lbs max.
<b>Pull Retention Force:</b>	20 lbs min.
<b>Durability:</b>	750 mating & unmating cycles
<b>Operating Temperature:</b>	-55°C to + 85°C

*\*Note: Connector is suitable for IR Reflow*

### Electrical

<b>Contact resistance:</b>	20 mΩ max.
<b>Insulation resistance:</b>	500 MΩ min. at 500V DC for 2 mins max.
<b>Current Rating:</b>	1.5 Amps per contact
<b>Voltage Rating:</b>	125 Volts AC
<b>DWV:</b>	1000 VAC, 60 Hz. 1 min.

## ORDERING INFORMATION

RJE23 - 1 X X - X X X X - X

### Number of Ports

1 - 1 Port

### Number of Positions

4 - 4 Positions  
6 - 6 Positions  
8 - 8 Positions

### Number of Contacts

4 - 4 Contacts  
6 - 6 Contacts  
8 - 8 Contacts

### Shield Options

0 - No shield  
1 - Standard shield, no tabs  
2 - No tabs, solderplate inward  
3 - Side tabs, solderplate

### Packaging

Blank - Tray  
T - Tape & Reel

### Modifier

0 - Type 1: 4 hole solderplate  
3 - Standard with 2 hole solderplate & kapton tape  
4 - Standard with 2 hole solderplate  
8 - Type 2: 2 hole solderplate

### Housing/Panel Stop Options

1 - Black housing without panel stop  
2 - Black housing with panel stop

### Contact Plating

1 - 6μ" gold plating  
2 - 15μ" gold plating  
3 - 30μ" gold plating  
4 - 50μ" gold plating

Didn't find what you were looking for?

Please contact [sales@amphenolcanada.com](mailto:sales@amphenolcanada.com) and let us know what you need.

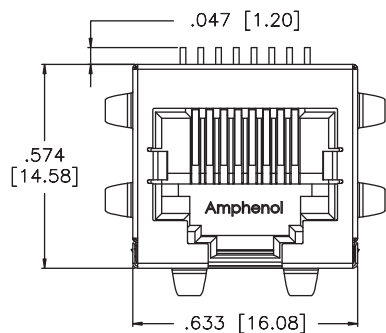
← [Click to Return to Table of Contents](#)

# RJE23

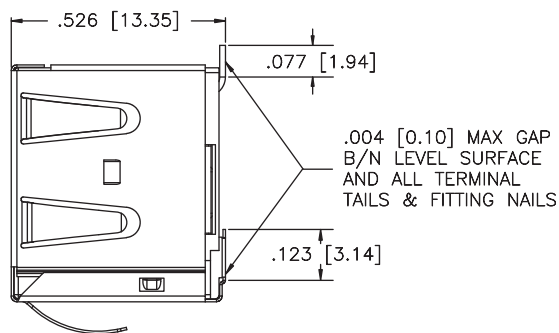
SINGLE PORT, SURFACE MOUNT

## Single Port Shielded

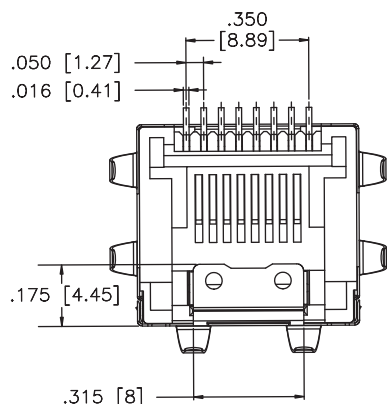
RJE23-188-3X16



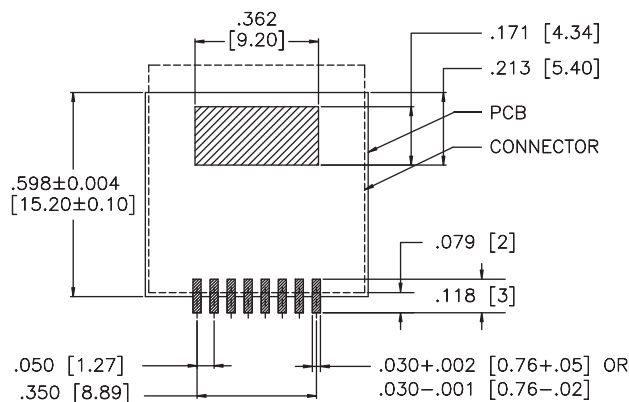
FRONT VIEW



SIDE VIEW



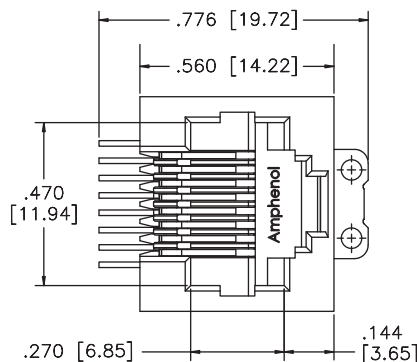
BOTTOM VIEW



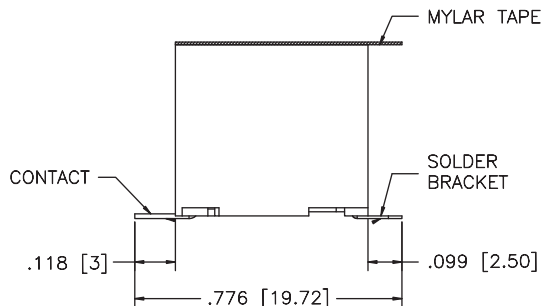
RECOMMENDED PCB LAYOUT

## Non-Shielded

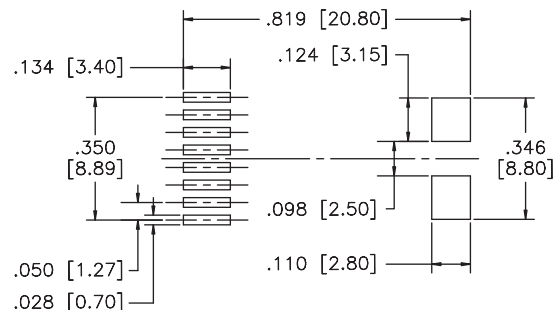
RJE23-188-0X14



FRONT VIEW



SIDE VIEW



RECOMMENDED PCB LAYOUT



## SINGLE PORT, STANDARD PROFILE

The RJE74 series, with superior EMI shielding, is built to fit your RJ requirements. The vertical 10P10C version is available with an RMK4 key interface to prevent an 8P8C plug from entering and damaging the connector. Includes optional Mylar cover for automated assembly equipment.



## SPECIFICATIONS

### Material

<b>Insulator:</b>	High temp. thermoplastic; Complies with UL 94V-0; Black
<b>Contacts:</b>	Phosphor bronze hard temper with 30µ" min. gold thickness over 50µ" min. nickel on contact mating area; 100µ" min. matte tin plating on soldering tail
<b>Shield:</b>	Stainless steel; pure tin dipped tail

### Electrical

<b>Contact resistance:</b>	20 mΩ max.
<b>Insulation resistance:</b>	500 MΩ min. at 500V DC for 2 mins max.
<b>Current Rating:</b>	1.5 Amps per contact
<b>Voltage Rating:</b>	125 Volts AC
<b>DWV:</b>	1000 VAC, 60 Hz. 1 min.

### Mechanical

<b>Insertion Force:</b>	5 lbs max.
<b>Pull Retention Force:</b>	20 lbs min.
<b>Durability:</b>	750 mating & unmating cycles
<b>Redcommended</b>	
<b>Soldering Temperature:</b>	Peaked at 260°C for 5 secs max.
<b>Operating Temperature:</b>	-55°C to + 85°C
<b>UL File:</b>	E135615

\*Note: Suitable for IR Reflow

## ORDERING INFORMATION

RJE74 - 1 X X - X X 1 X - X

#### Number of Ports

1 - 1 Port

#### Number of Positions

8 - 8 Positions  
A - 10 Positions

#### Number of Contacts

8 - 8 Contacts  
A - 10 Contacts

#### Shield Options

0 - No shield  
1 - Full shield

#### Packaging

Blank - PBT, tray, without Mylar  
A - High temp housing, tray, without Mylar  
H - High temp housing, tape & reel, with Mylar

#### Modifier

0 - Standard product  
1 - With RMK4 keying

#### Panel Stop Option

1 - No panel stop

#### Contact Plating

1 - 6µ" gold plating  
2 - 15µ" gold plating  
3 - 30µ" gold plating  
4 - 50µ" gold plating

Didn't find what you were looking for?

Please contact [sales@amphenolcanada.com](mailto:sales@amphenolcanada.com) and let us know what you need.

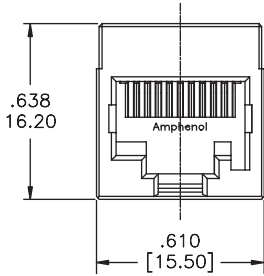
← [Click to Return to Table of Contents](#)

# RJE74

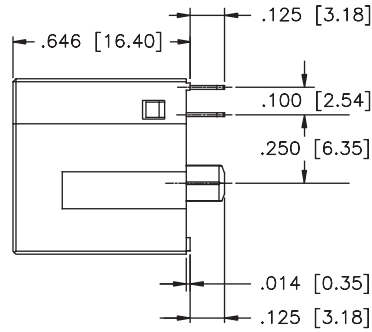
SINGLE PORT, STANDARD PROFILE

## Single Port Non-Shielded

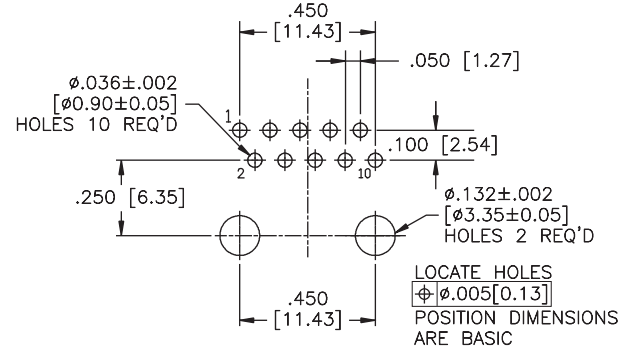
RJE74-1AA-0X10



FRONT VIEW



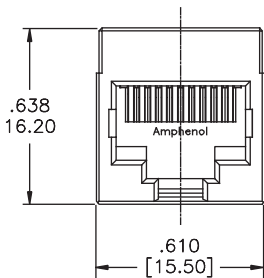
SIDE VIEW



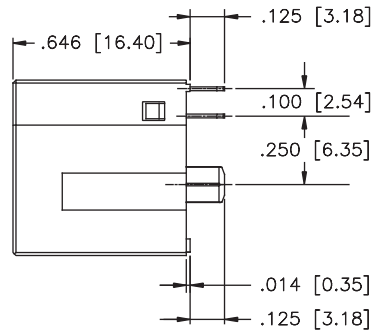
RECOMMENDED PCB LAYOUT

## Non-Shielded with Keying

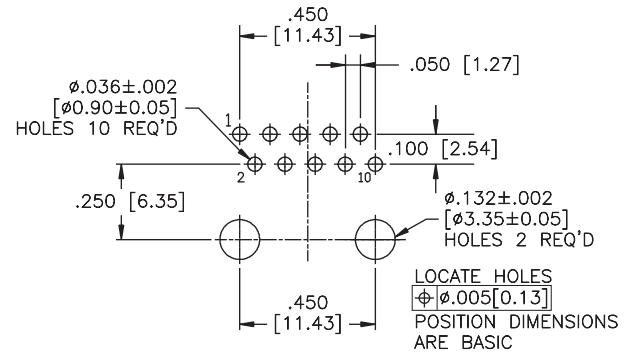
RJE74-1AA-0X11



FRONT VIEW



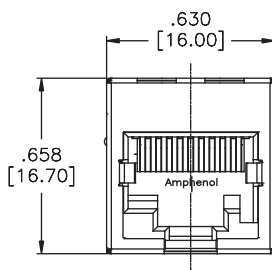
SIDE VIEW



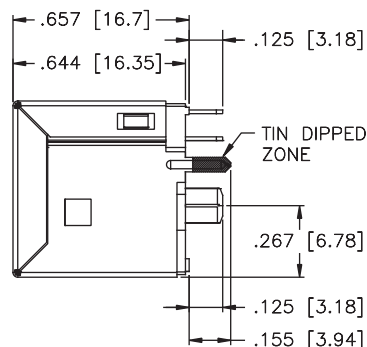
RECOMMENDED PCB LAYOUT

## Shielded with Keying

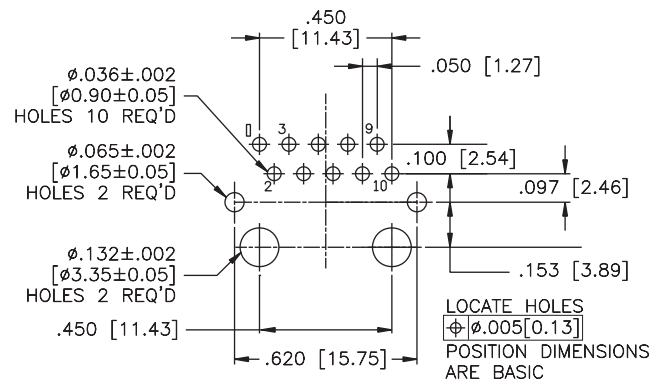
RJE74-1AA-1X11



FRONT VIEW



SIDE VIEW



RECOMMENDED PCB LAYOUT

## SINGLE PORT, LOW PROFILE, WITH LEDS

Vertical through-hole (THT) in single port RJ45 configurations with full shield or superior EMI protection. A variety of LED options for link activity and network verification are available. Made with high temperature composite and when accompanied with our high temperature resistant LEDs, these connectors are well suited for the IR Reflow process.



## SPECIFICATIONS

### Material

<b>Insulator:</b>	High temp. thermoplastic; Complies with UL 94V-0; Black
<b>Contacts:</b>	Phosphor bronze hard temper with gold thickness options (6µ", 15µ", 30µ", 50µ") over 50µ" min. nickel on contact mating area; 100µ" min. matte tin plating on soldering tail
<b>Shield:</b>	Stainless steel with tin dipped tails
<b>LED:</b>	Tin plating on LED tails

### Mechanical

<b>Insertion Force:</b>	5 lbs max.
<b>Pull Retention Force:</b>	20 lbs min.
<b>Durability:</b>	750 mating & unmating cycles
<b>Redcommended</b>	
<b>Soldering Temperature:</b>	Wave soldering peaked at 260°C for 5 secs max.
<b>Operating Temperature:</b>	-55°C to + 85°C

\*Note: Connectors without LEDs are suitable for IR Reflow

### Electrical

<b>Contact resistance:</b>	20 mΩ max.
<b>Insulation resistance:</b>	500 MΩ min. at 500V DC for 2 mins max.
<b>Current Rating:</b>	1.5 Amps per contact
<b>Voltage Rating:</b>	125 Volts AC
<b>DWV:</b>	1000 VAC, 60 Hz. 1 min.
<b>LED Forward DC Current:</b>	20mA typical
<b>LED Forward Voltage:</b>	1.9 Volts max. at 2mA (for single colours) 2.6 Volts max. at 2mA (for bicolours)
<b>LED Reverse Voltage:</b>	5 Volts min.
<b>LED Light Intensity:</b>	0.4 to 1.5 mcd min. at 2mA (for single colours) 0.5 mcd min. at 2mA (for bicolours)
<b>LED Wave Length:</b>	Yellow: 587 ± 7 nm measured at 20mA Green: 565 ± 6 nm measured at 20mA Red: 625 ± 5 nm measured at 20mA

## ORDERING INFORMATION

RJE88 - 1 8 8 - X X X X - X

<b>Number of Ports</b>	1 - 1 Port	<b>Packaging</b>	Blank - Tray T - Tape & Reel
<b>Number of Positions</b>	8 - 8 Positions	<b>Modifier</b>	0 - 2.7mm (0.11") tail length A - 3.5mm (0.14") tail length
<b>Number of Contacts</b>	8 - 8 Contacts	<b>LED Options</b>	Click to view page 82 for options
<b>Shield Options</b>	0 - No shield 1 - Shield with PCB tabs, no top and bottom tabs 2 - Shield with PCB tabs, top and bottom tabs	<b>Contact Plating</b>	1 - 6µ" gold plating 2 - 15µ" gold plating 3 - 30µ" gold plating 4 - 50µ" gold plating

Didn't find what you were looking for?

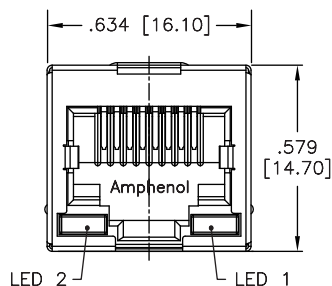
Please contact [sales@amphenolcanada.com](mailto:sales@amphenolcanada.com) and let us know what you need.

← Click to Return to Table of Contents

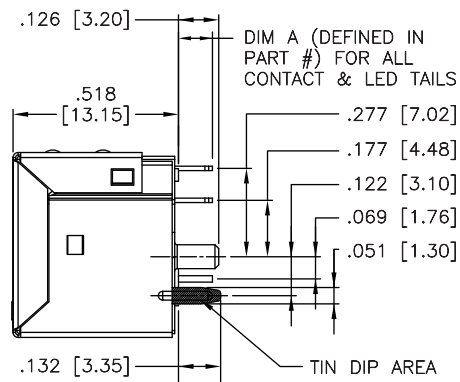
# RJE88

SINGLE PORT, LOW PROFILE, WITH LEDs

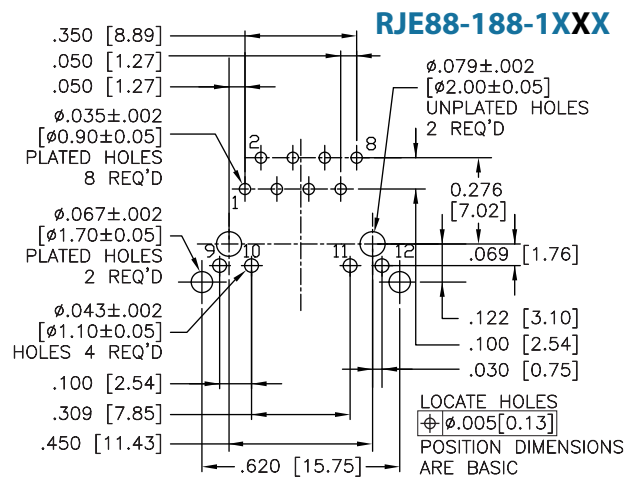
## Single Port Shielded



FRONT VIEW



SIDE VIEW



RECOMMENDED PCB LAYOUT

## Notes

## SINGLE PORT, NARROW PROFILE

Basic 8P8C, single port, vertical connector with no shield or LED options. Made with high temperature thermoplastic this series is suitable for the IR Reflow process. This series is ideal for high volume cost sensitive programs.



## SPECIFICATIONS

### Material

<b>Insulator:</b>	High temp. thermoplastic; Complies with UL 94V-0; Black
<b>Contacts:</b>	Phosphor bronze hard temper with gold thickness options (6µ", 15µ", 30µ", 50µ") over 50µ" min. nickel on contact mating area; 100µ" min. matte tin plating on soldering tail

### Electrical

<b>Contact resistance:</b>	20 mΩ max.
<b>Insulation resistance:</b>	500 MΩ min. at 500V DC for 2 mins max.
<b>Current Rating:</b>	1.5 Amps per contact
<b>Voltage Rating:</b>	125 Volts AC
<b>DWV:</b>	1000 VAC, 60 Hz. 1 min.

### Mechanical

<b>Insertion Force:</b>	5 lbs max.
<b>Pull Retention Force:</b>	20 lbs min.
<b>Durability:</b>	750 mating & unmating cycles
<b>Redcommended Soldering Temperature:</b>	Wave soldering peaked at 260°C for 5 secs max.
<b>Operating Temperature:</b>	-55°C to + 85°C
<b>UL File:</b>	E135615

\*Note: Suitable for IR Reflow

## ORDERING INFORMATION

RJE1J - 1 X X - 0 X X 0 - X

<b>Number of Ports</b>	1 - 1 Port	<b>Packaging</b>	Blank - Tray T - Tape & Reel
<b>Number of Positions</b>	4 - 4 Positions 6 - 6 Positions 8 - 8 Positions	<b>Modifier</b>	0 - Standard product
<b>Number of Contacts</b>	2 - 2 Contacts 4 - 4 Contacts 6 - 6 Contacts 8 - 8 Contacts	<b>Flange and Housing Colour Options</b>	1 - No flange, black housing 2 - With flange, black housing
<b>Shield Options</b>	0 - No shield	<b>Contact Plating</b>	1 - 6µ" gold plating 2 - 15µ" gold plating 3 - 30µ" gold plating 4 - 50µ" gold plating

Didn't find what you were looking for?

Please contact [sales@amphenolcanada.com](mailto:sales@amphenolcanada.com) and let us know what you need.

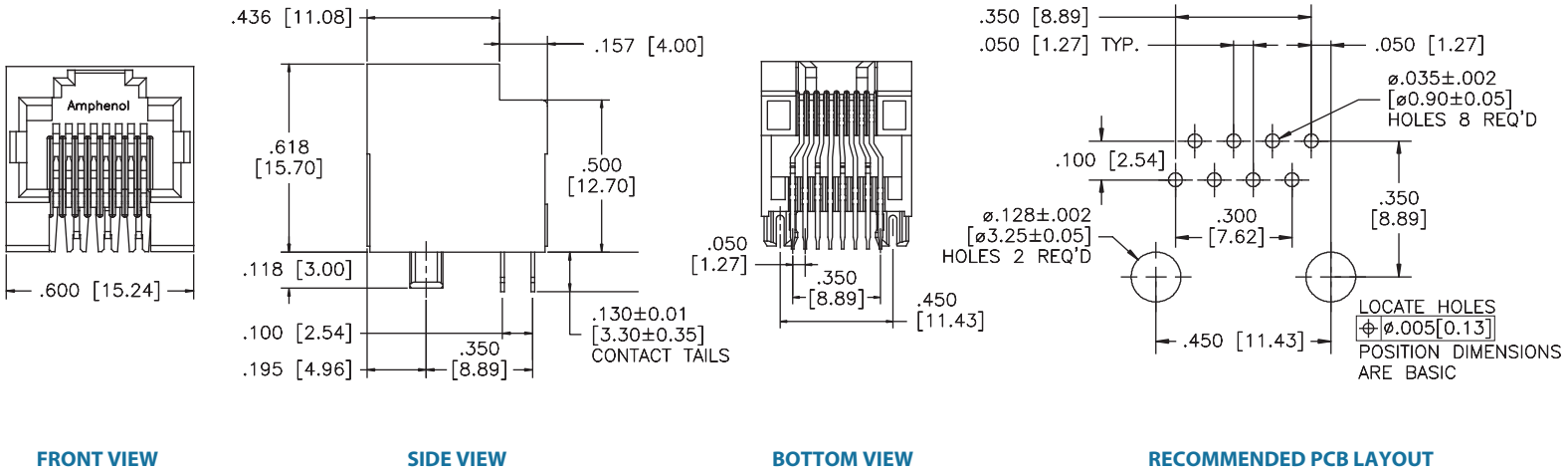
← [Click to Return to Table of Contents](#)

# RJE1J

SINGLE PORT, NARROW PROFILE

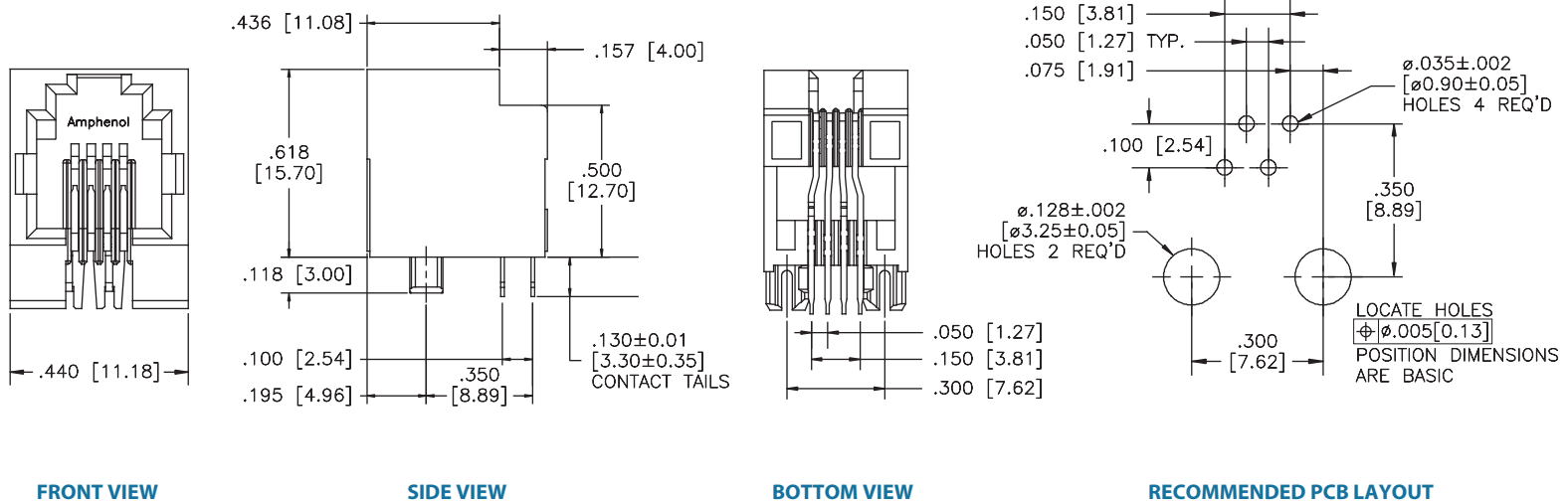
## Single Port Non-Shielded

RJE1J-188-0X10



## Non-Shielded

RJE1J-144-0X10



## T2, 4 AND 8 PORTS WITH LED AND SHIELD OPTIONS

The RJSAE is a RJ45 stackable connector that reduces component and labor costs by incorporating LEDs. Its stackable feature enables more ports with the same board space. With superior EMI performance, the option of configuring your connector with a Ferrite Filter is available to further reduce crosstalk in noisy applications. A variety of LED combinations, port configurations and shielded and unshielded options also available.



## SPECIFICATIONS

### Material

<b>Insulator:</b>	High temp. thermoplastic; Complies with UL 94V-0; Black
<b>Contacts:</b>	Phosphor bronze hard temper with gold thickness options (6µ", 15µ", 30µ", 50µ") over 50µ" min. nickel on contact mating area; 100µ" min. matte tin plating on soldering tail
<b>Shield:</b>	Copper alloy; nickel plated or stainless steel with tin dipped tail (as specified in drawing)
<b>LED:</b>	Tin plating on LED tail

### Mechanical

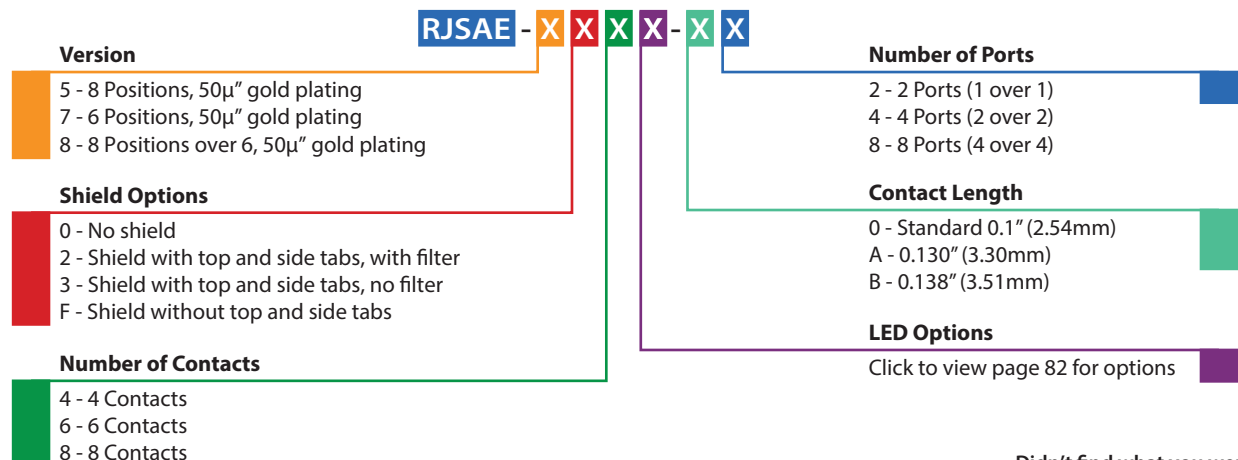
<b>Insertion Force:</b>	5 lbs max.
<b>Pull Retention Force:</b>	20 lbs min.
<b>Durability:</b>	750 mating & unmating cycles
<b>Redcommended</b>	
<b>Soldering Temperature:</b>	Wave soldering peaked at 260°C for 5 secs max.
<b>Operating Temperature:</b>	-55°C to + 85°C
<b>UL File #:</b>	E135615
<b>CSA File #:</b>	150190

*\*Note: Connectors without LEDs are suitable for IR Reflow;  
Connectors with Reflow LEDs available*

### Electrical

<b>Contact resistance:</b>	20 mΩ max.
<b>Insulation resistance:</b>	500 MΩ min. at 500V DC for 2 mins max.
<b>Current Rating:</b>	1.5 Amps per contact
<b>Voltage Rating:</b>	125 Volts AC
<b>DWV:</b>	Contact to contact: 1000 VAC, 60 Hz. 1 min. Contact to shield: 1500 VAC, 60 Hz. 1 min.
<b>LED Forward DC Current:</b>	20mA typical
<b>LED Forward Voltage:</b>	1.9 Volts max. at 2mA (for single colours) 2.6 Volts max. at 2mA (for bicolours)
<b>LED Reverse Voltage:</b>	5 Volts min.
<b>LED Light Intensity:</b>	0.4 to 1.5 mcd min. at 2mA (for single colours) 0.5 mcd min. at 2mA (for bicolours)
<b>LED Wave Length:</b>	Yellow: 587 ± 7 nm measured at 20mA Green: 565 ± 6 nm measured at 20mA Red: 625 ± 5 nm measured at 20mA

## ORDERING INFORMATION



← Click to Return to Table of Contents

Didn't find what you were looking for?  
Please contact [sales@amphenolcanada.com](mailto:sales@amphenolcanada.com) and let us know what you need.

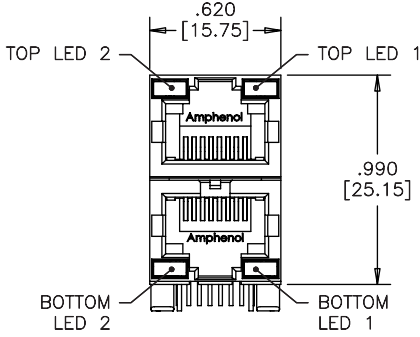


# RJSAE

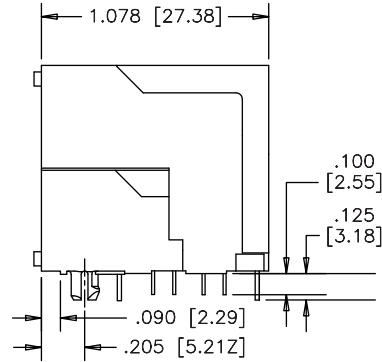
2, 4 AND 8 PORTS WITH LED AND SHIELD OPTIONS

## Single Port

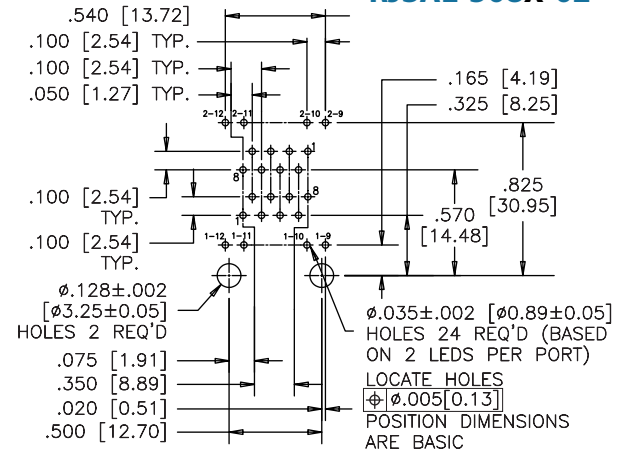
### Non-Shielded



FRONT VIEW



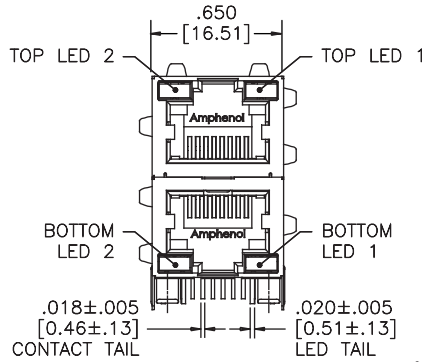
SIDE VIEW



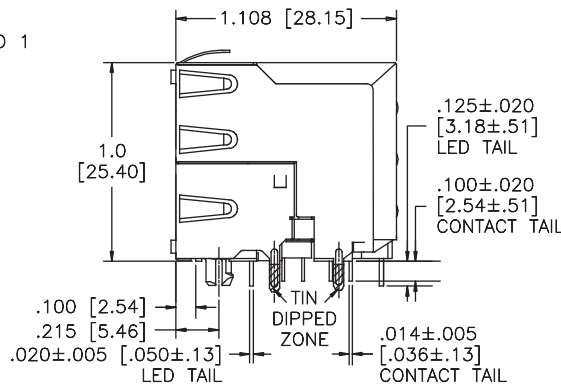
RJSAE-508X-02

RECOMMENDED PCB LAYOUT

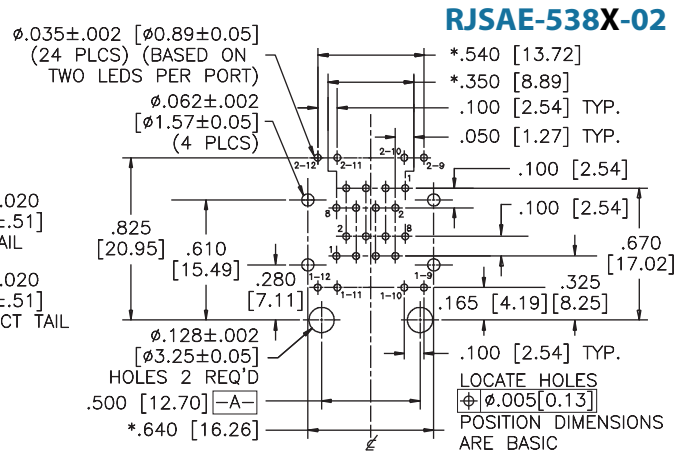
### Shielded



FRONT VIEW



SIDE VIEW

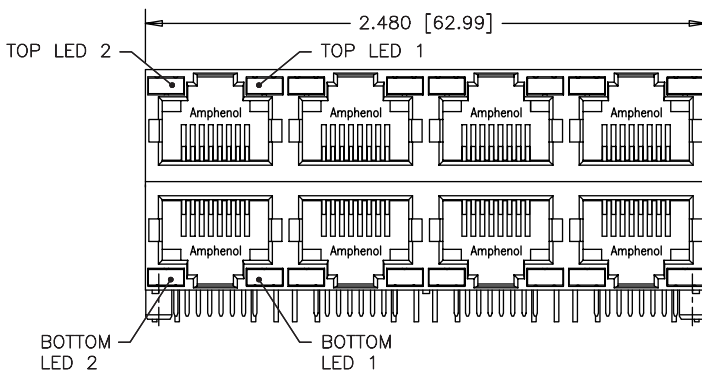


RJSAE-538X-02

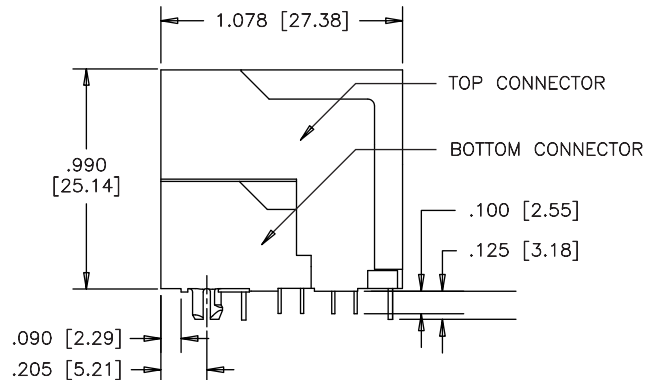
RECOMMENDED PCB LAYOUT

## Multi Port

### Non-Shielded



FRONT VIEW

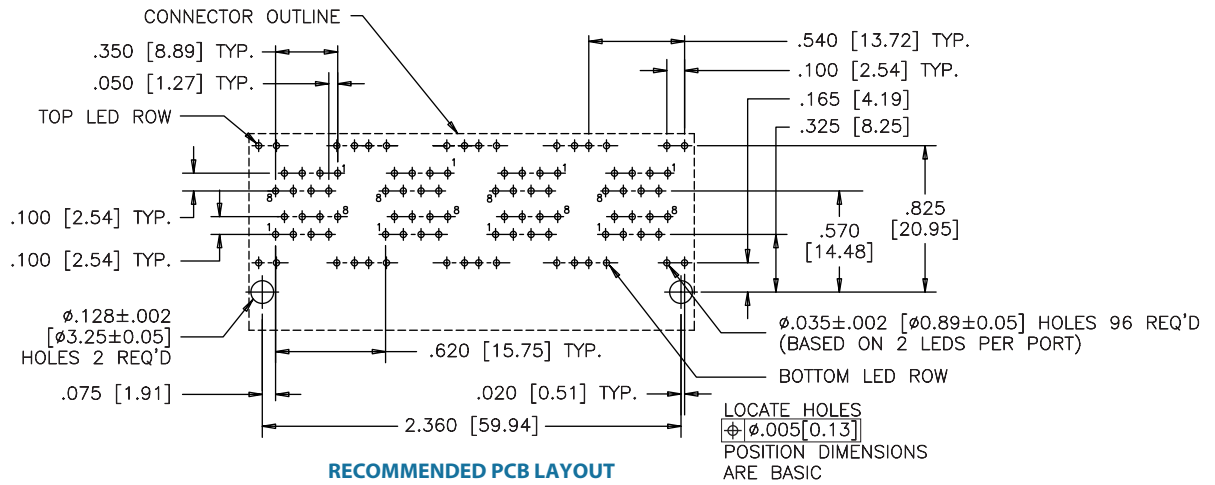


SIDE VIEW

RJSAE-508X-08

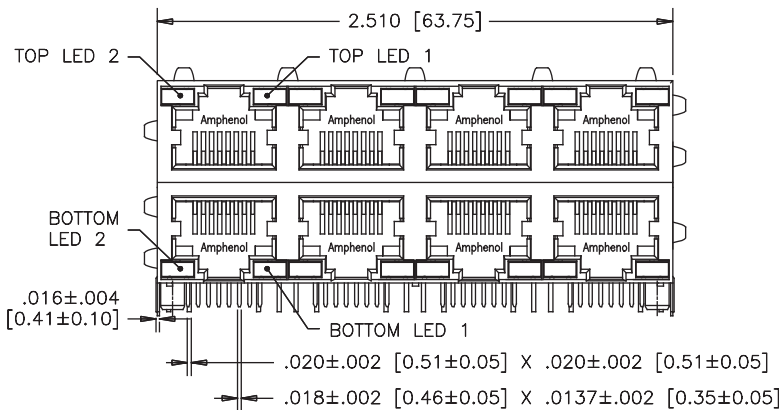
## Multi Port Non-Shielded

RJSAE-508X-08

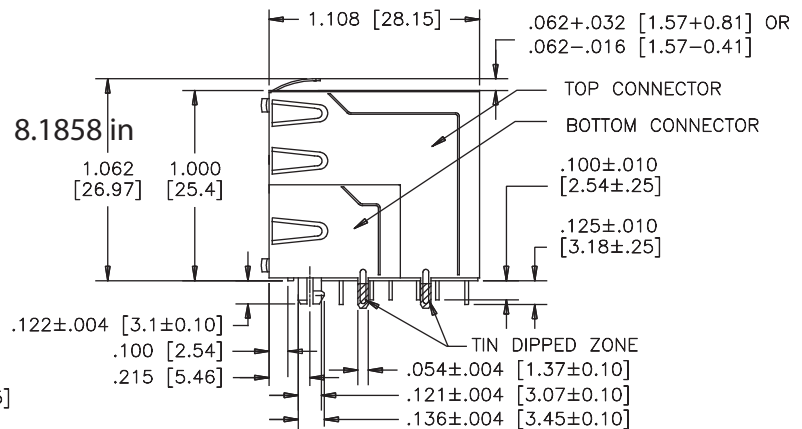


## Shielded

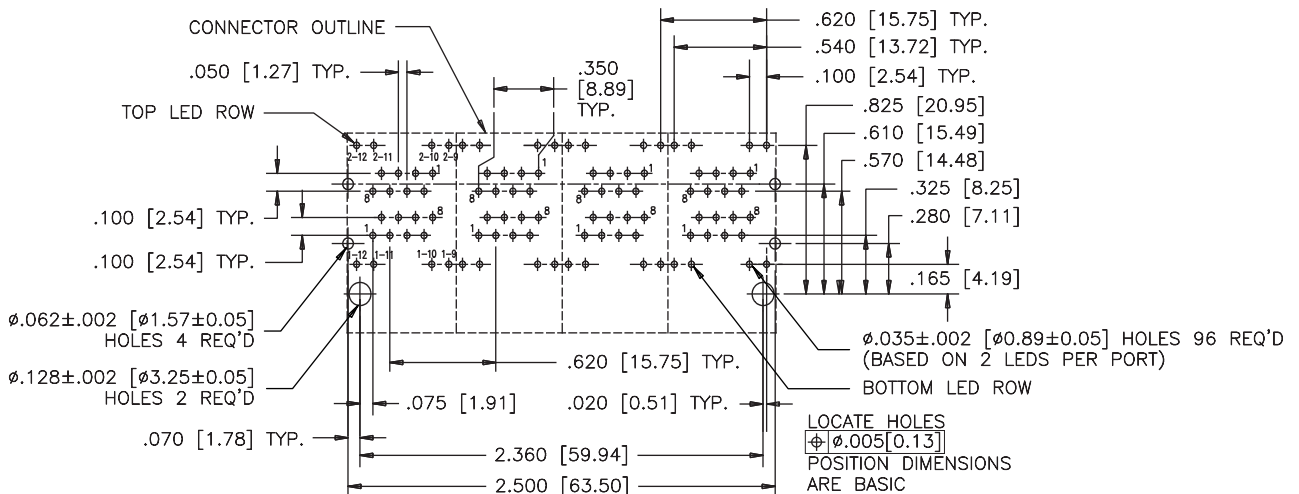
RJSAE-538X-08



FRONT VIEW



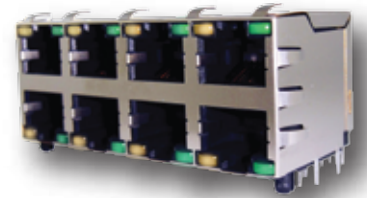
SIDE VIEW



RECOMMENDED PCB LAYOUT

## 4 OVER 4 PORTS WITH LED AND SHIELD OPTIONS

The RJSNE series is a stacked connector that offers LED options for link activity and network verification. It is available with or without shielding. The RJSNE series also includes a unique inner shield device to reduce the crosstalk between top and bottom ports.



## SPECIFICATIONS

### Material

<b>Insulator:</b>	Engineering thermoplastic; Complies with UL 94V-0; Black
<b>Contacts:</b>	Phosphor bronze hard temper with gold thickness options (6µ", 15µ", 30µ", 50µ") over 50µ" min. nickel on contact mating area; 100µ" min. matte tin plating on soldering tail
<b>Shield:</b>	Copper alloy; nickel plated or stainless steel with tin dipped tail
<b>LED:</b>	Pure tin plating on LED tail

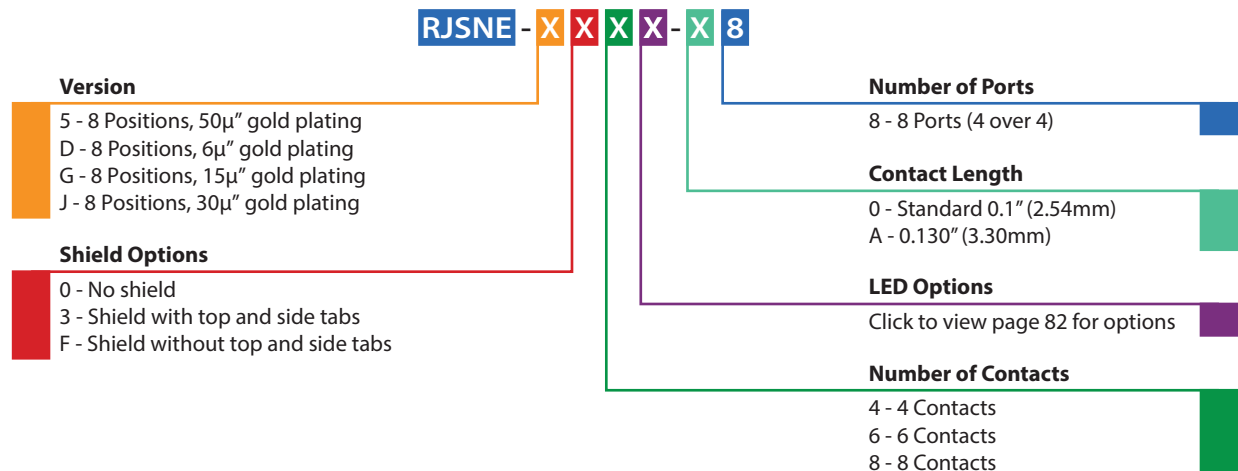
### Mechanical

<b>Insertion Force:</b>	5 lbs max.
<b>Pull Retention Force:</b>	20 lbs min.
<b>Durability:</b>	750 mating & unmating cycles
<b>Redcommended Soldering Temperature:</b>	Wave soldering peaked at 260°C for 5 secs max.
<b>Operating Temperature:</b>	-40°C to + 85°C
<b>UL File #:</b>	E135615
<b>CSA File #:</b>	150190

### Electrical

<b>Contact resistance:</b>	20 mΩ max.
<b>Insulation resistance:</b>	500 MΩ min. at 500V DC for 2 mins max.
<b>Current Rating:</b>	1.5 Amps per contact
<b>Voltage Rating:</b>	125 Volts AC
<b>DWV:</b>	1000 VAC, 60 Hz. 1 min.
<b>LED Forward DC Current:</b>	20mA typical
<b>LED Forward Voltage:</b>	1.9 Volts max. at 2mA (for single colours) 2.6 Volts max. at 20mA (for bicolours)
<b>LED Reverse Voltage:</b>	5 Volts min.
<b>LED Light Intensity:</b>	0.4 to 1.5 mcd min. at 2mA (for single colours) 0.5 mcd min. at 2mA (for bicolours)
<b>LED Wave Length:</b>	Yellow: 587 ± 7 nm measured at 20mA Green: 565 ± 6 nm measured at 20mA Red: 625 ± 5 nm measured at 20mA

## ORDERING INFORMATION



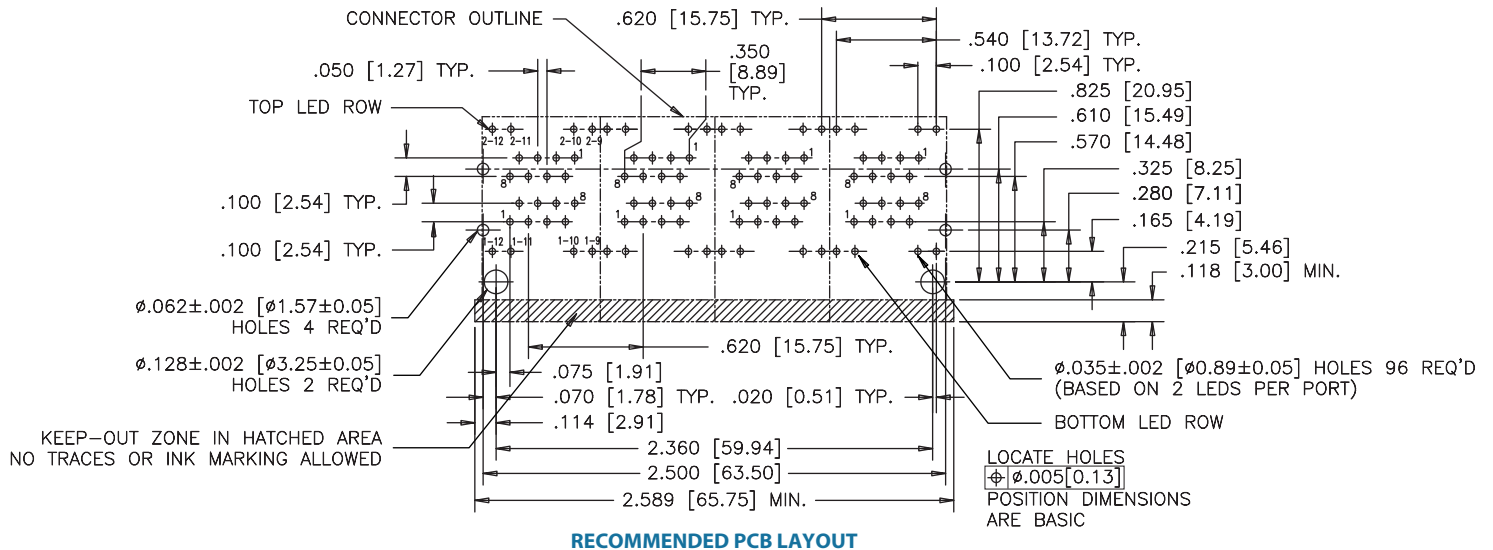
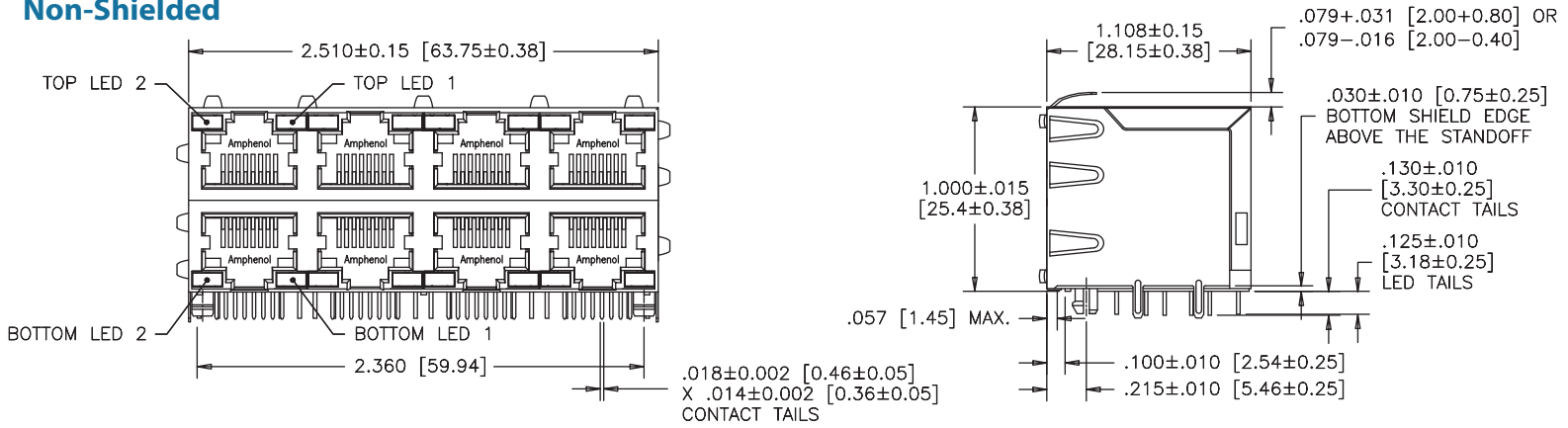
Didn't find what you were looking for?

Please contact [sales@amphenolcanada.com](mailto:sales@amphenolcanada.com) and let us know what you need.

[Click to Return to Table of Contents](#)

## Single Port Non-Shielded

### RJSNE-538X-X8



## Notes

# RJE48

CAT 5e, RIGHT ANGLED, LOW PROFILE, WITH LEDs

## RIGHT ANGLED, LOW PROFILE, WITH LEDS

The RJE48 series of modular jacks meet CAT 5e performance per EIA-568-C.2. It supports Gigabit Ethernet Protocols. Shielding is available for increased EMI performance and LEDs for link activity and network verification.



## SPECIFICATIONS

### Material

<b>Insulator:</b>	High temp. thermoplastic; Complies with UL 94V-0; Black
<b>Contacts:</b>	Phosphor bronze hard temper with gold thickness options (6µ", 15µ", 30µ", 50µ") over 50µ" min. nickel on contact mating area; 100µ" min. matte tin plating on solder tails
<b>Shield:</b>	Stainless steel with tin dipped tails
<b>LED:</b>	Tin plating on LED tails

### Mechanical

<b>Insertion Force:</b>	5 lbs max.
<b>Pull Retention Force:</b>	20 lbs min.
<b>Durability:</b>	750 mating & unmating cycles
<b>Redcommended</b>	
<b>Soldering Temperature:</b>	Wave soldering peaked at 260°C for 5 secs max.
<b>Operating Temperature:</b>	-55°C to + 85°C

### Electrical

<b>Contact resistance:</b>	20 mΩ max.
<b>Insulation resistance:</b>	500 MΩ min. at 500V DC for 2 mins max.
<b>Current Rating:</b>	1.25 Amps per contact
<b>Voltage Rating:</b>	125 Volts AC
<b>DWV:</b>	1000 VAC, 60 Hz. 1 min.
<b>LED Forward DC Current:</b>	20mA typical
<b>LED Forward Voltage:</b>	1.9 Volts max. at 2mA (for single colours) 2.6 Volts max. at 20mA (for bicolours)
<b>LED Reverse Voltage:</b>	5 Volts min.
<b>LED Light Intensity:</b>	0.4 to 1.5 mcd min. at 2mA (for single colours) 0.5 mcd min. at 2mA (for bicolours)
<b>LED Wave Length:</b>	Yellow: 587 ± 7 nm measured at 20mA Green: 565 ± 6 nm measured at 20mA Red: 625 ± 5 nm measured at 20mA

## ORDERING INFORMATION

RJE48 - X 8 8 - X X X 1 - X

<b>Number of Ports</b>	1 - 1 Port 4 - 4 Ports	<b>Packaging</b>	Blank - Tray T - Tape & Reel
<b>Number of Positions</b>	8 - 8 Positions	<b>Modifier</b>	1 - 3.00mm tail length
<b>Number of Contacts</b>	8 - 8 Contacts	<b>LED Options</b>	Click to view page 82 for options
<b>Shield Options</b>	0 - No shield 1 - Full Shield 2 - Special shield with SMT solder tabs	<b>Contact Plating</b>	1 - 6µ" gold plating 2 - 15µ" gold plating 3 - 30µ" gold plating 4 - 50µ" gold plating

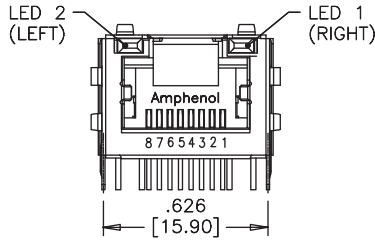
Didn't find what you were looking for?

Please contact [sales@amphenolcanada.com](mailto:sales@amphenolcanada.com) and let us know what you need.

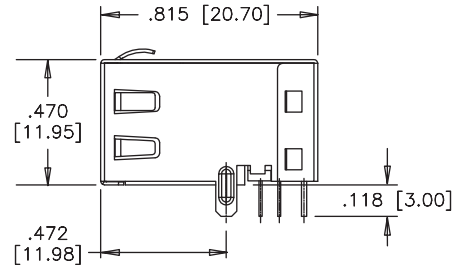
[Click to Return to Table of Contents](#)

## Single Port Shielded

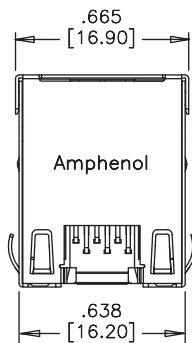
RJE48-188-1XX1



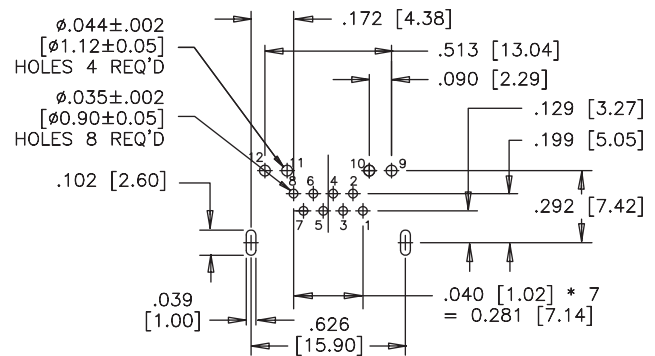
FRONT VIEW



SIDE VIEW



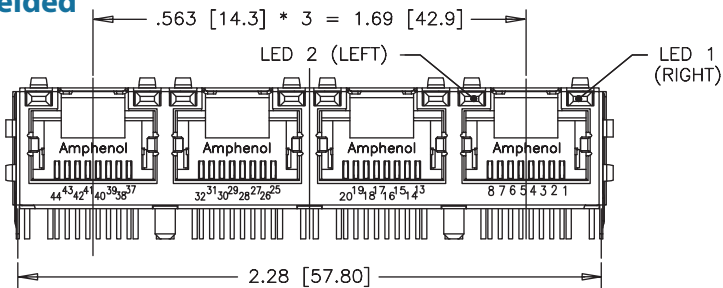
TOP VIEW



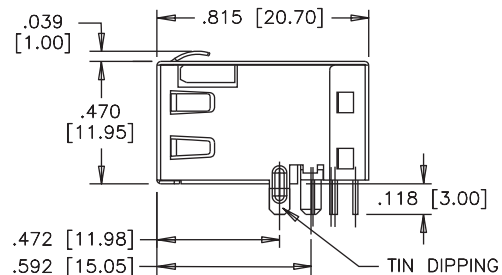
RECOMMENDED PCB LAYOUT

## Multi Port Shielded

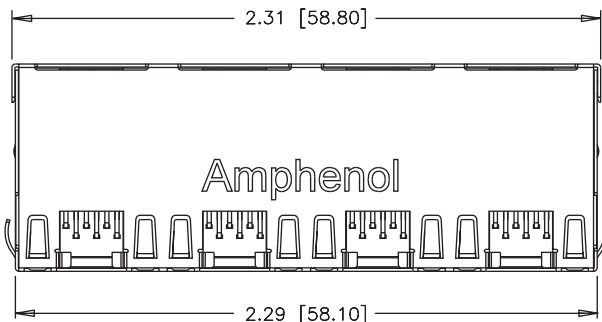
RJE48-488-1XX1



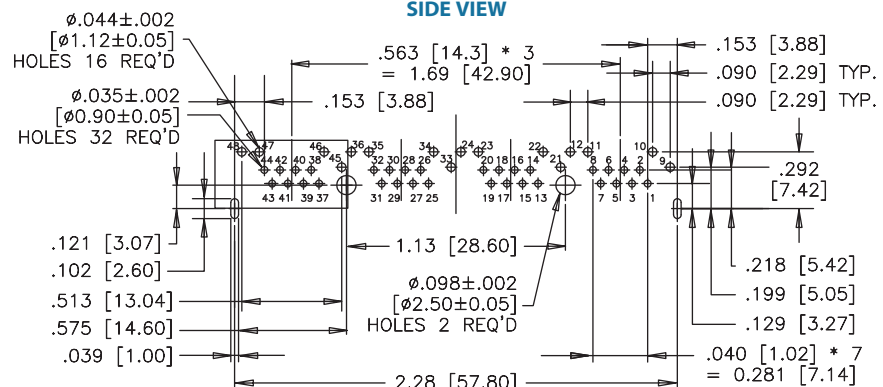
FRONT VIEW



SIDE VIEW



TOP VIEW



RECOMMENDED PCB LAYOUT



# RJE58

CAT 5e, RIGHT ANGLED, STANDARD PROFILE, WITH LEDs

## RIGHT ANGLED, STANDARD PROFILE, WITH LEDS

The RJE58 series of modular jacks meet CAT 5e performance per EIA-568-C.2. It supports Gigabit Ethernet Protocols. Shielding is available for increased EMI performance and LEDs for link activity and network speed verification.



## SPECIFICATIONS

### Material

<b>Insulator:</b>	High temp. thermoplastic; Complies with UL 94V-0; Black
<b>Contacts:</b>	Phosphor bronze hard temper with gold thickness options (6 $\mu$ ", 15 $\mu$ ", 30 $\mu$ ", 50 $\mu$ ") over 50 $\mu$ " min. nickel on contact mating area; 100 $\mu$ " min. matte tin plating on solder tails
<b>Shield:</b>	Stainless steel with tin dipped tails
<b>LED:</b>	Tin plating on LED tails

### Mechanical

<b>Insertion Force:</b>	5 lbs max.
<b>Pull Retention Force:</b>	20 lbs min.
<b>Durability:</b>	750 mating & unmating cycles
<b>Redcommended</b>	
<b>Soldering Temperature:</b>	IR Reflow peaked at 260°C for 5 secs max.
<b>Operating Temperature:</b>	-55°C to + 85°C

### Electrical

<b>Contact resistance:</b>	20 m $\Omega$ max.
<b>Insulation resistance:</b>	500 M $\Omega$ min. at 500V DC for 2 mins max.
<b>Current Rating:</b>	1.25 Amps per contact
<b>Voltage Rating:</b>	125 Volts AC
<b>DWV:</b>	1000 VAC, 60 Hz. 1 min.
<b>LED Forward DC Current:</b>	20mA typical
<b>LED Forward Voltage:</b>	1.9 Volts max. at 2mA (for single colours) 2.6 Volts max. at 20mA (for bicolours)
<b>LED Reverse Voltage:</b>	5 Volts min.
<b>LED Light Intensity:</b>	0.4 to 1.5 mcd min. at 2mA (for single colours) 0.5 mcd min. at 2mA (for bicolours)
<b>LED Wave Length:</b>	Yellow: 587 $\pm$ 7 nm measured at 20mA Green: 565 $\pm$ 6 nm measured at 20mA Red: 625 $\pm$ 5 nm measured at 20mA

## ORDERING INFORMATION

RJE58 - 1 8 8 - X X X X X

<b>Number of Ports</b>	1 - 1 Port
<b>Number of Positions</b>	8 - 8 Positions
<b>Number of Contacts</b>	8 - 8 Contacts
<b>Shield Options</b>	3 - Full shield with top tabs 5 - Full shield with top and side tabs 6 - Full shield without tabs
<b>Packaging</b>	Blank - Tray T - Tape & Reel
<b>Modifier</b>	1 - Standard with boardlocks 2 - Without boardlocks
<b>LED Options</b>	Click to view page 82 for options
<b>Contact Plating</b>	1 - 6 $\mu$ " gold plating 2 - 15 $\mu$ " gold plating 3 - 30 $\mu$ " gold plating 4 - 50 $\mu$ " gold plating

Didn't find what you were looking for?

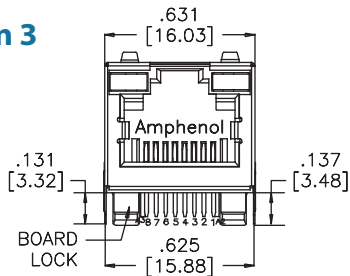
Please contact [sales@amphenolcanada.com](mailto:sales@amphenolcanada.com) and let us know what you need.

[Click to Return to Table of Contents](#)

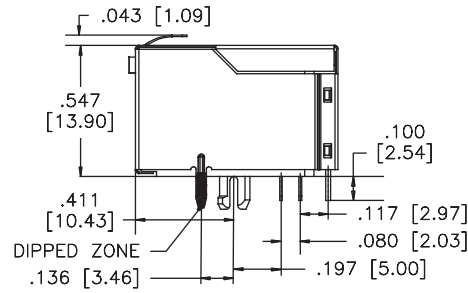


## Single Port Shielded - Option 3

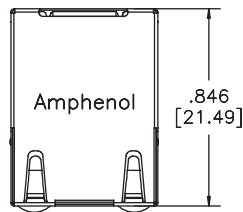
RJE58-188-3XX1



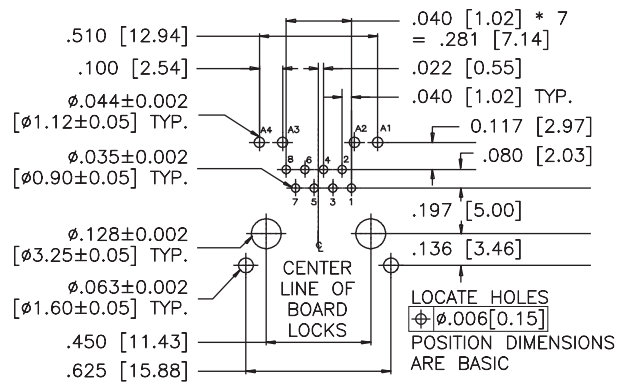
FRONT VIEW



SIDE VIEW



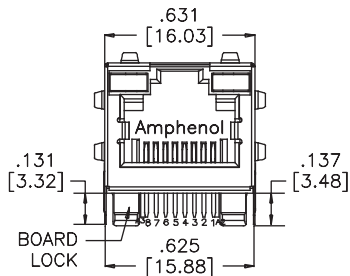
TOP VIEW



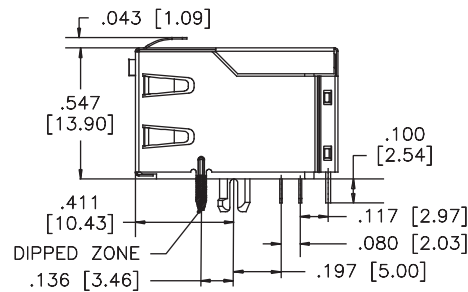
RECOMMENDED PCB LAYOUT

## Shielded - Option 5

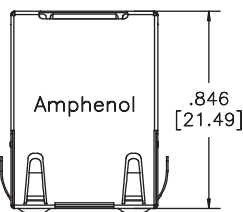
RJE58-188-5XX1



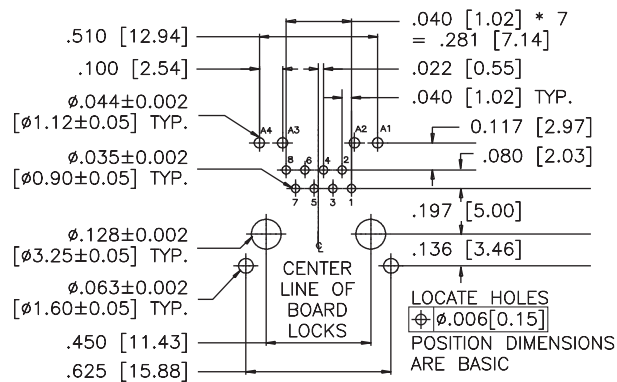
FRONT VIEW



SIDE VIEW



TOP VIEW



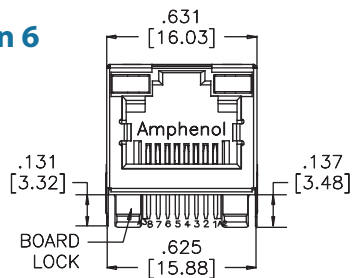
RECOMMENDED PCB LAYOUT

# RJE58

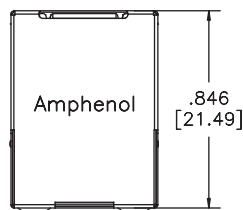
CAT 5e, RIGHT ANGLED, STANDARD PROFILE, WITH LEDs

## Single Port Shielded - Option 6

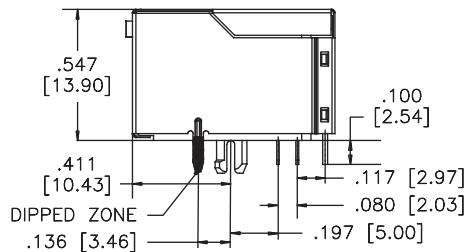
RJE58-188-6XX1



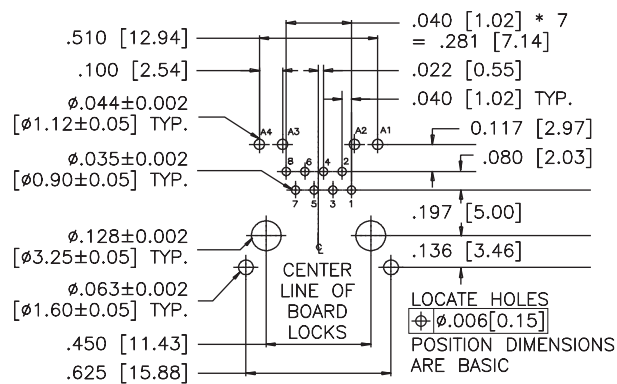
FRONT VIEW



TOP VIEW



SIDE VIEW



RECOMMENDED PCB LAYOUT

### Notes

## RIGHT ANGLED, RECESSED, LOW PROFILE, WITH LEDS

The RJE72 series of modular jacks meet CAT 5e performance per EIA-568-C.2. It supports Gigabit Ethernet Protocols. Shielding available for increased EMI performance and LEDs for link activity and network speed verification.



## SPECIFICATIONS

### Material

<b>Insulator:</b>	High temp. thermoplastic; Complies with UL 94V-0; Black
<b>Contacts:</b>	Phosphor bronze hard temper with gold thickness options (6µ", 15µ", 30µ", 50µ") over 50µ" min. nickel on contact mating area; 100µ" min. matte tin plating on solder tails
<b>Shield:</b>	Stainless steel with tin dipped tails
<b>LED:</b>	Tin plating on LED tails

### Mechanical

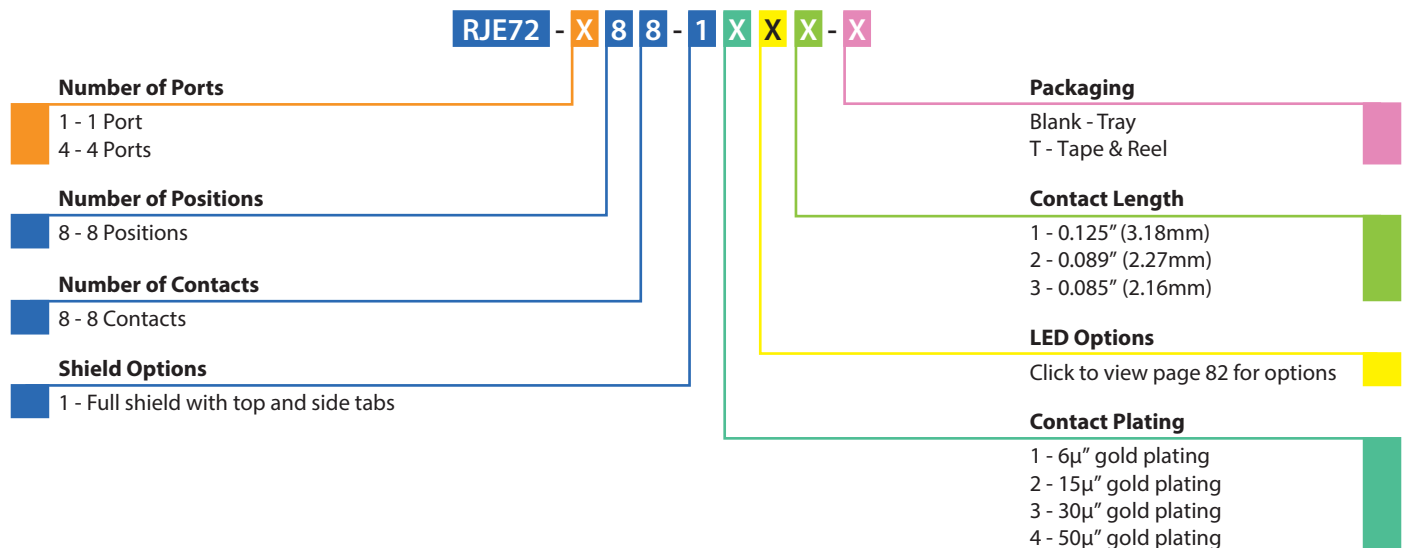
<b>Insertion Force:</b>	5 lbs max.
<b>Pull Retention Force:</b>	20 lbs min.
<b>Durability:</b>	750 mating & unmating cycles
<b>Redcommended</b>	
<b>Soldering Temperature:</b>	Wave soldering peaked at 260°C for 5 secs max.
<b>Operating Temperature:</b>	-55°C to + 85°C
<b>UL File #:</b>	E135615

\*Note: IR reflow compatible version also available; Consult factory for details

### Electrical

<b>Contact resistance:</b>	20 mΩ max.
<b>Insulation resistance:</b>	500 MΩ min. at 500V DC for 2 mins max.
<b>Current Rating:</b>	1.25 Amps per contact
<b>Voltage Rating:</b>	125 Volts AC
<b>DWV:</b>	1000 VAC, 60 Hz. 1 min.
<b>LED Forward DC Current:</b>	20mA typical
<b>LED Forward Voltage:</b>	1.9 Volts max. at 2mA (for single colours) 2.6 Volts max. at 20mA (for bicolours)
<b>LED Reverse Voltage:</b>	5 Volts min.
<b>LED Light Intensity:</b>	0.4 to 1.5 mcd min. at 2mA (for single colours) 0.5 mcd min. at 2mA (for bicolours)
<b>LED Wave Length:</b>	Yellow: 587 ± 7 nm measured at 20mA Green: 565 ± 6 nm measured at 20mA Red: 625 ± 5 nm measured at 20mA

## ORDERING INFORMATION



Didn't find what you were looking for?

Please contact [sales@amphenolcanada.com](mailto:sales@amphenolcanada.com) and let us know what you need.

← Click to Return to Table of Contents

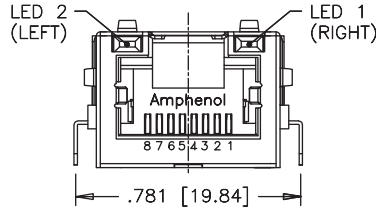
# RJE72

CAT 5e, RIGHT ANGLED, RECESSED, LOW PROFILE, WITH LEDs

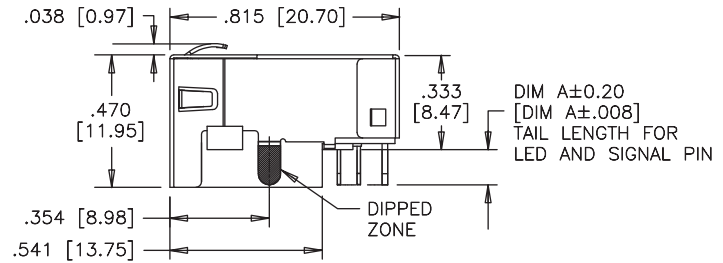
## Single Port

Shielded

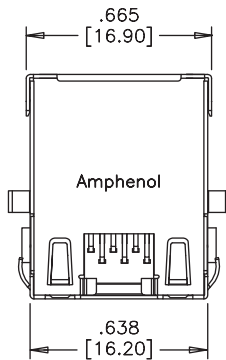
RJE72-188-14X1



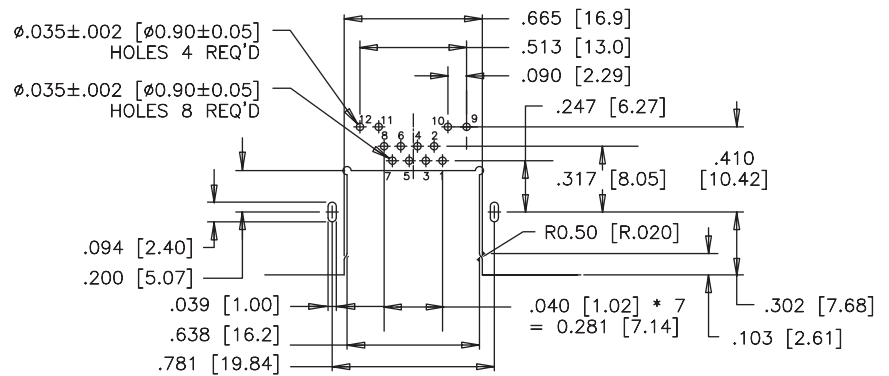
FRONT VIEW



SIDE VIEW



TOP VIEW

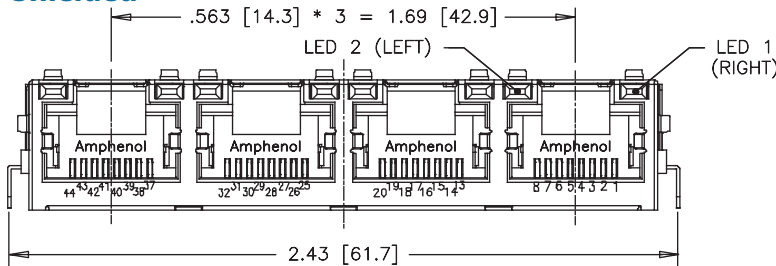


RECOMMENDED PCB LAYOUT

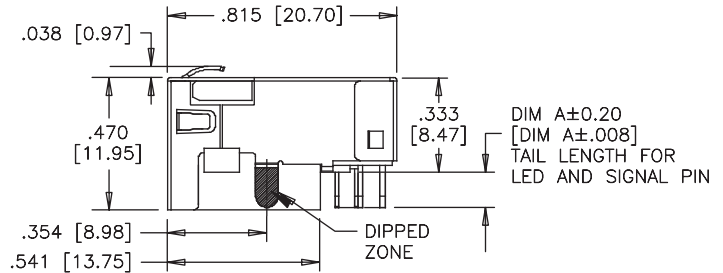
## Multi Port

Shielded

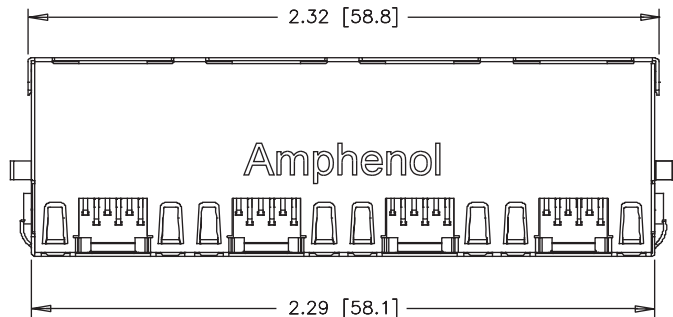
RJE72-488-14X1



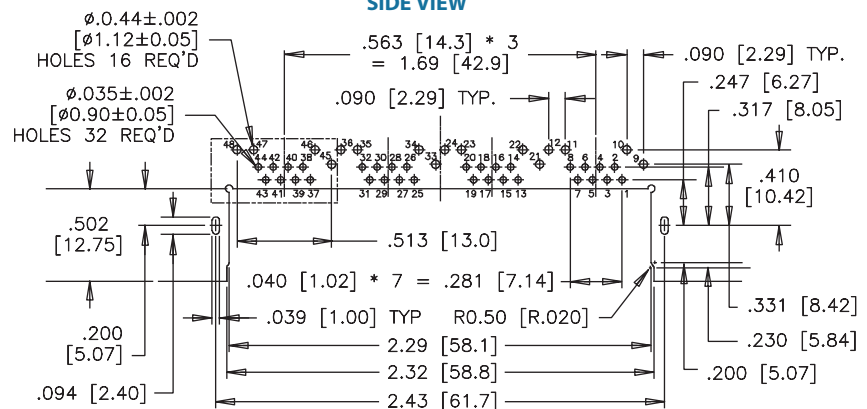
FRONT VIEW



SIDE VIEW



TOP VIEW



RECOMMENDED PCB LAYOUT

## SINGLE PORT, LOW PROFILE, WITH LEDs

The RJE45 series of modular jacks meet CAT 6 performance per EIA-568-C.2. It supports Gigabit Ethernet Protocols and 10 Gig links in applications up to 50m. Shielding available for increased EMI performance and LEDs for link activity and network speed verification.



## SPECIFICATIONS

### Material

<b>Insulator:</b>	High temp. thermoplastic; Complies with UL 94V-0; Black
<b>Contacts:</b>	Phosphor bronze hard temper with gold thickness options (6µ", 15µ", 30µ", 50µ") over 50µ" min. nickel on contact mating area; 100µ" min. matte tin plating on solder tails
<b>Shield:</b>	Stainless steel with tin dipped tails
<b>LED:</b>	Tin plating on LED tails

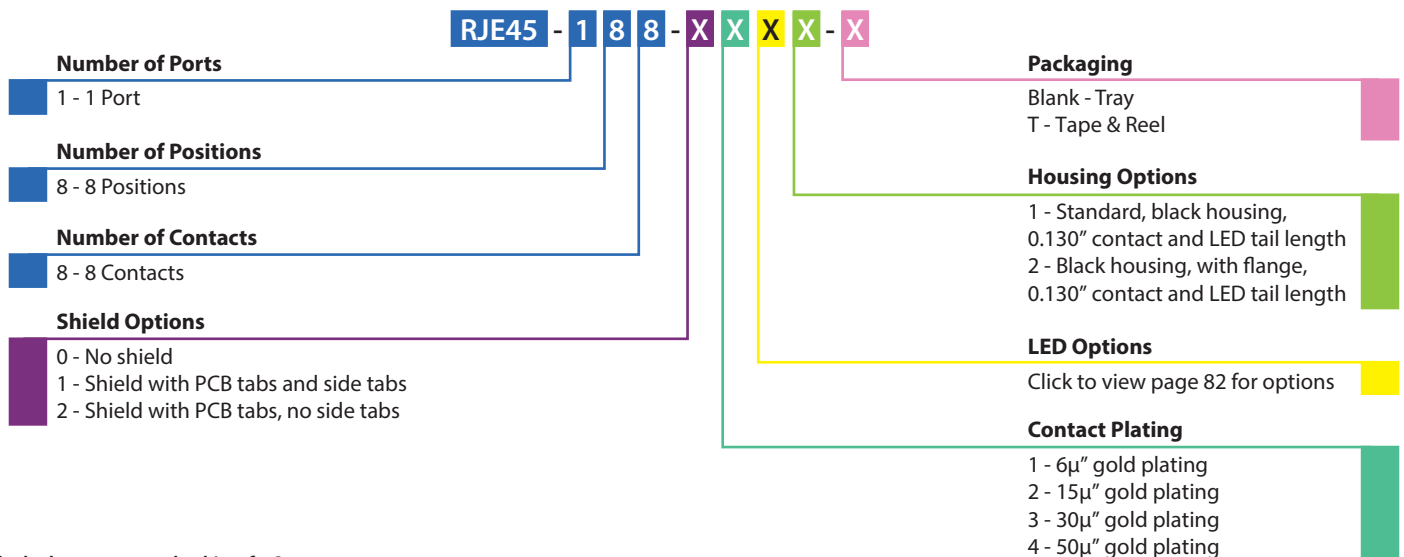
### Mechanical

<b>Insertion Force:</b>	5 lbs max.
<b>Pull Retention Force:</b>	20 lbs min.
<b>Durability:</b>	750 mating & unmating cycles
<b>Redcommended Soldering Temperature:</b>	Wave soldering peaked at 260°C for 5 secs max. or lead free reflow soldering up to 260°C for 10 secs for one cycle with an LED defect rate of no more than 1000ppm
<b>Operating Temperature:</b>	-55°C to + 85°C
<i>*Note: Multiple exposures not recommended</i>	

### Electrical

<b>Contact resistance:</b>	20 mΩ max.
<b>Insulation resistance:</b>	500 MΩ min. at 500V DC for 2 mins max.
<b>Current Rating:</b>	1.25 Amps per contact
<b>Voltage Rating:</b>	125 Volts AC
<b>DWV:</b>	1000 VAC, 60 Hz. 1 min.
<b>LED Forward DC Current:</b>	20mA typical
<b>LED Forward Voltage:</b>	1.9 Volts max. at 2mA
<b>LED Reverse Voltage:</b>	5 Volts min.
<b>LED Light Intensity:</b>	0.4 to 1.5 mcd min. at 2mA
<b>LED Wave Length:</b>	Yellow: 587 ± 7 nm measured at 20mA Green: 565 ± 6 nm measured at 20mA Red: 625 ± 5 nm measured at 20mA

## ORDERING INFORMATION



Didn't find what you were looking for?  
Please contact [sales@amphenolcanada.com](mailto:sales@amphenolcanada.com) and let us know what you need.

← Click to Return to Table of Contents

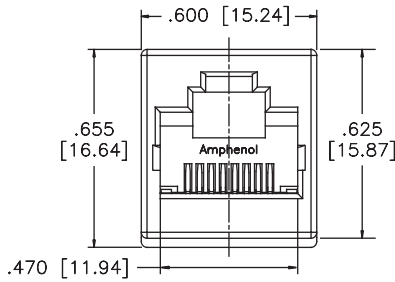
# RJE45

CAT 6, SINGLE PORT, LOW PROFILE, WITH LEDS

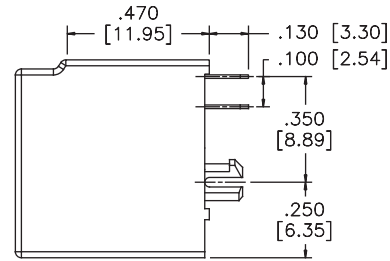
## Single Port

Non-Shielded

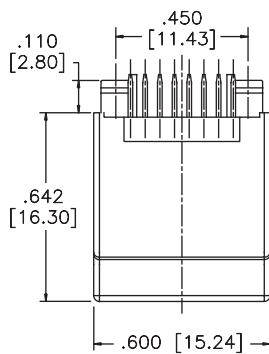
RJE45-188-0XX1



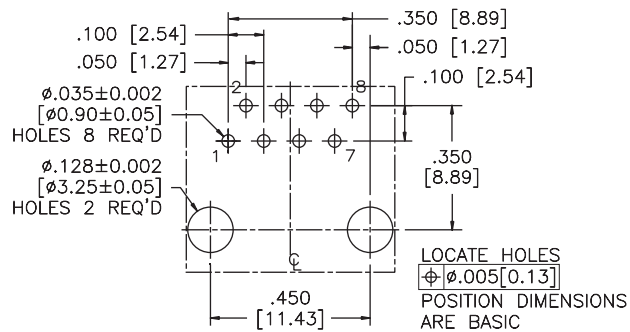
FRONT VIEW



SIDE VIEW



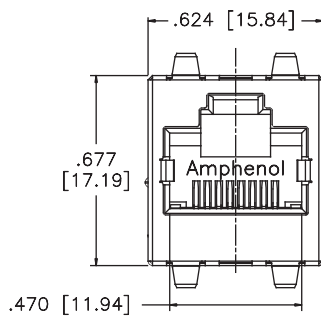
TOP VIEW



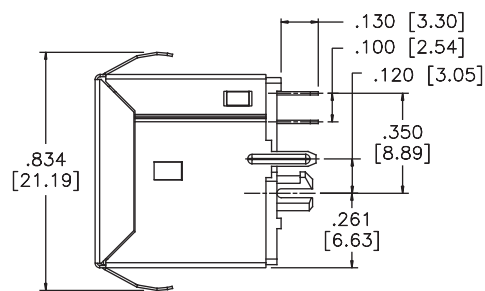
RECOMMENDED PCB LAYOUT

## Shielded

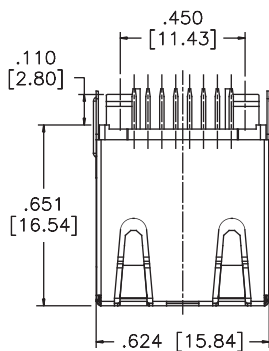
RJE45-188-1XX1



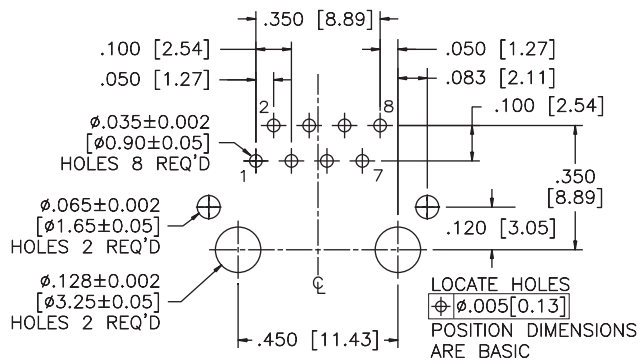
FRONT VIEW



SIDE VIEW



TOP VIEW



RECOMMENDED PCB LAYOUT

## RIGHT ANGLED, STANDARD PROFILE, WITH LEDS

The RJE59 series of modular jacks meet CAT 6 performance per EIA-568-C.2. It supports Gigabit Ethernet Protocols. Shielding is available for increased EMI performance and LEDs for link activity and network speed verification.



## SPECIFICATIONS

### Material

<b>Insulator:</b>	High temp. thermoplastic; Complies with UL 94V-0; Black
<b>Contacts:</b>	Phosphor bronze hard temper with gold thickness options (6µ", 15µ", 30µ", 50µ") over 50µ" min. nickel on contact mating area; 100µ" min. matte tin plating on solder tails
<b>Shield:</b>	Stainless steel with tin dipped tails
<b>LED:</b>	Tin plating on LED tails

### Mechanical

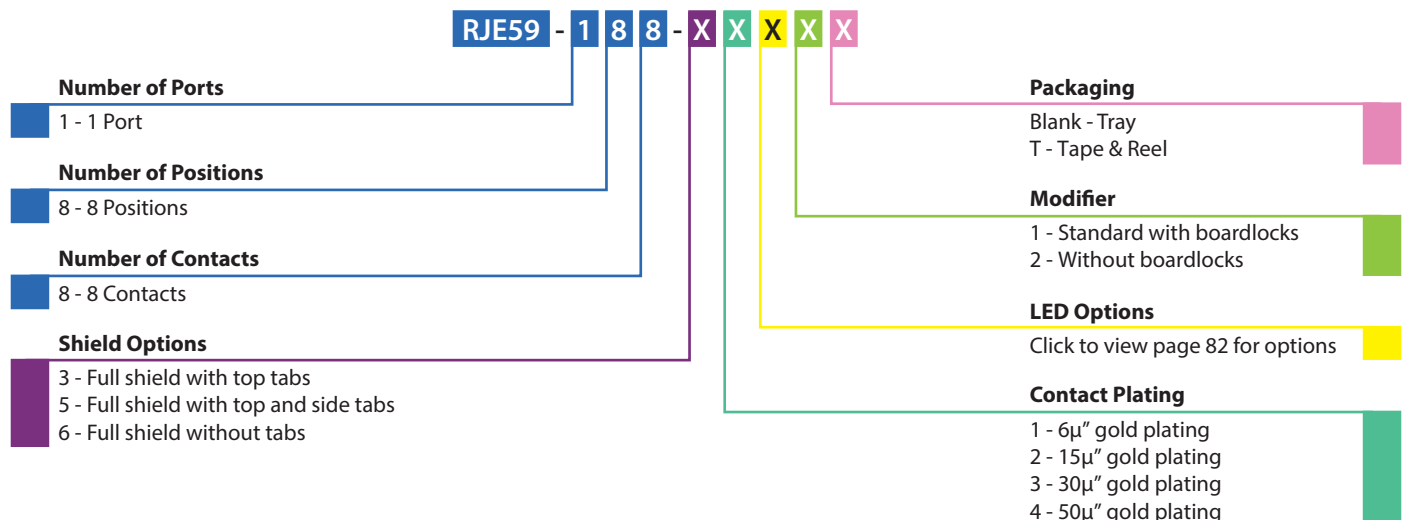
<b>Insertion Force:</b>	5 lbs max.
<b>Pull Retention Force:</b>	20 lbs min.
<b>Durability:</b>	750 mating & unmating cycles
<b>Redcommended Soldering Temperature:</b>	Wave soldering peaked at 260°C for 10 secs max. for one cycle with an LED defect rate of no more than 100ppm
<b>Operating Temperature:</b>	-55°C to + 85°C

*\*Note: Multiple exposures not recommended ; IR Reflow compatible version also available; Consult factory for details*

### Electrical

<b>Contact resistance:</b>	20 mΩ max.
<b>Insulation resistance:</b>	500 MΩ min. at 500V DC for 2 mins max.
<b>Current Rating:</b>	1.25 Amps per contact
<b>Voltage Rating:</b>	125 Volts AC
<b>DWV:</b>	1000 VAC, 60 Hz. 1 min.
<b>LED Forward DC Current:</b>	20mA typical
<b>LED Forward Voltage:</b>	1.9 Volts max. at 2mA (for single colours) 2.6 Volts max. at 20mA (for bicolours)
<b>LED Reverse Voltage:</b>	5 Volts min.
<b>LED Light Intensity:</b>	0.4 to 1.5 mcd min. at 2mA (for single colours) 0.5 mcd min. at 2mA (for bicolours)
<b>LED Wave Length:</b>	Yellow: 587 ± 7 nm measured at 20mA Green: 565 ± 6 nm measured at 20mA Red: 625 ± 5 nm measured at 20mA

## ORDERING INFORMATION



Didn't find what you were looking for?

Please contact [sales@amphenolcanada.com](mailto:sales@amphenolcanada.com) and let us know what you need.

← [Click to Return to Table of Contents](#)

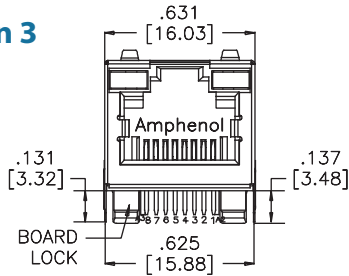


# RJE59

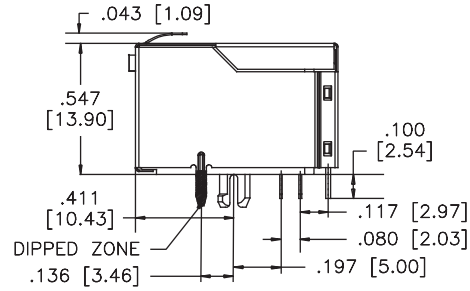
CAT 6, RIGHT ANGLED, STANDARD PROFILE, WITH LEDS

## Single Port Shielded - Option 3

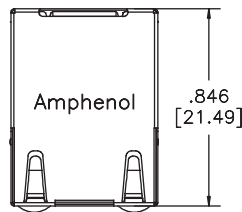
RJE59-188-3XX1



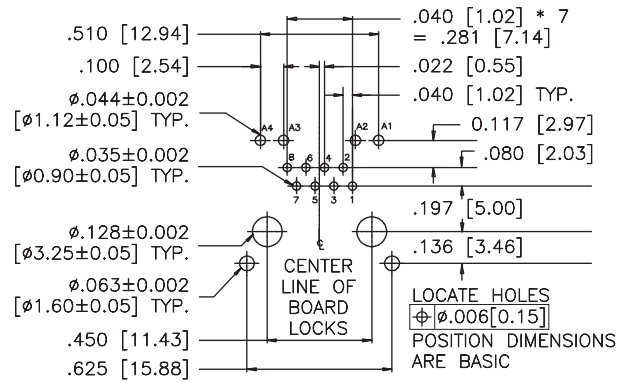
FRONT VIEW



SIDE VIEW



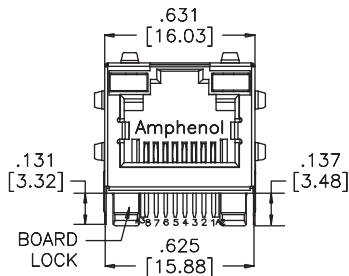
TOP VIEW



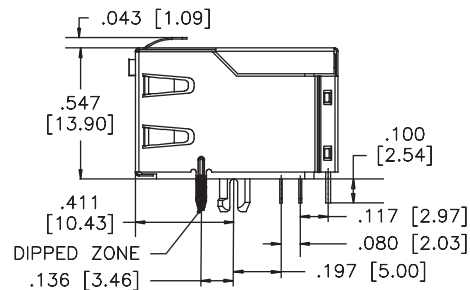
RECOMMENDED PCB LAYOUT

## Shielded - Option 5

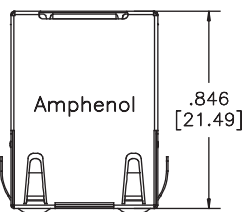
RJE59-188-5XX1



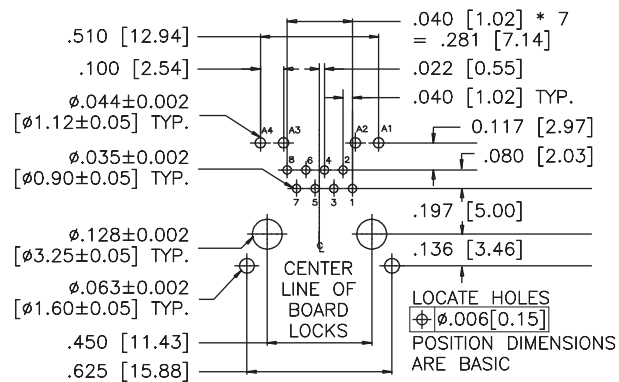
FRONT VIEW



SIDE VIEW



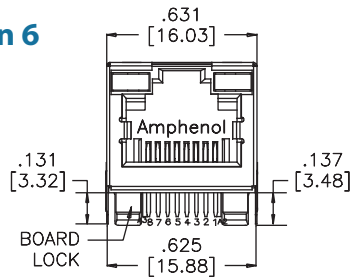
TOP VIEW



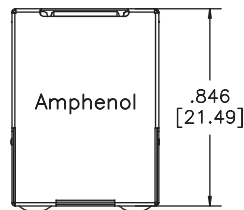
RECOMMENDED PCB LAYOUT

## Single Port Shielded - Option 6

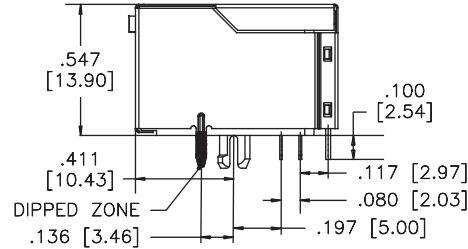
RJE59-188-6XX1



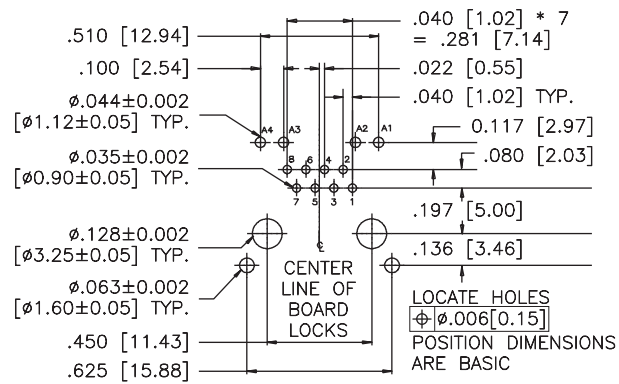
FRONT VIEW



TOP VIEW



SIDE VIEW



RECOMMENDED PCB LAYOUT

## Notes

# RJE71

CAT 6, RIGHT ANGLED, RECESSED, LOW PROFILE, WITH LEDs

## RIGHT ANGLED, RECESSED, LOW PROFILE, WITH LEDs

The RJE71 series of modular jacks meet CAT 6 performance per EIA-568-C.2. It supports Gigabit Ethernet Protocols. Shielding available for increased EMI performance and LEDs for link activity and network speed verification.



## SPECIFICATIONS

### Material

<b>Insulator:</b>	High temp. thermoplastic; Complies with UL 94V-0; Black
<b>Contacts:</b>	Phosphor bronze hard temper with gold thickness options (6 $\mu$ ", 15 $\mu$ ", 30 $\mu$ ", 50 $\mu$ ") over 50 $\mu$ " min. nickel on contact mating area; 100 $\mu$ " min. matte tin plating on solder tails
<b>Shield:</b>	Stainless steel with tin dipped tails
<b>LED:</b>	Tin plating on LED tails

### Mechanical

<b>Insertion Force:</b>	5 lbs max.
<b>Pull Retention Force:</b>	20 lbs min.
<b>Durability:</b>	750 mating & unmating cycles
<b>Redcommended</b>	
<b>Soldering Temperature:</b>	Wave soldering peaked at 260°C for 5 secs max.
<b>Operating Temperature:</b>	-55°C to + 85°C
<b>UL File:</b>	E135615

*\*Note: IR reflow compatible version also available; Consult factory for details*

### Electrical

<b>Contact resistance:</b>	20 m $\Omega$ max.
<b>Insulation resistance:</b>	500 M $\Omega$ min. at 500V DC for 2 mins max.
<b>Current Rating:</b>	1.5 Amps per contact
<b>Voltage Rating:</b>	125 Volts AC
<b>DWV:</b>	1000 VAC, 60 Hz. 1 min.
<b>LED Forward DC Current:</b>	20mA typical
<b>LED Forward Voltage:</b>	1.9 Volts max. at 2mA (for single colours) 2.6 Volts max. at 20mA (for bicolours)
<b>LED Reverse Voltage:</b>	5 Volts min.
<b>LED Light Intensity:</b>	0.4 to 1.5 mcd min. at 2mA (for single colours) 0.5 mcd min. at 2mA (for bicolours)
<b>LED Wave Length:</b>	Yellow: 587 $\pm$ 7 nm measured at 20mA Green: 565 $\pm$ 6 nm measured at 20mA Red: 625 $\pm$ 5 nm measured at 20mA

## ORDERING INFORMATION

RJE71 - 1 8 8 - 1 X X X - X

<b>Number of Ports</b>	1 - 1 Port
<b>Number of Positions</b>	8 - 8 Positions
<b>Number of Contacts</b>	8 - 8 Contacts
<b>Shield Options</b>	1 - Full shield with top and side tabs
<b>Packaging</b>	Blank - Tray T - Tape & Reel
<b>Contact Length</b>	1 - 0.125" (3.18mm) 2 - 0.089" (2.27mm) 3 - 0.085" (2.16mm)
<b>LED Options</b>	Click to view page 82 for options
<b>Contact Plating</b>	1 - 6 $\mu$ " gold plating 2 - 15 $\mu$ " gold plating 3 - 30 $\mu$ " gold plating 4 - 50 $\mu$ " gold plating

Didn't find what you were looking for?

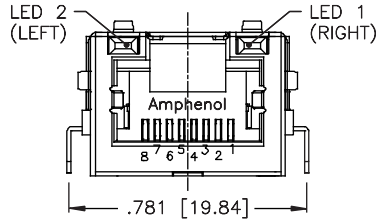
Please contact [sales@amphenolcanada.com](mailto:sales@amphenolcanada.com) and let us know what you need.

[Click to Return to Table of Contents](#)

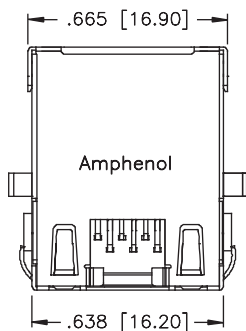
## Single Port

RJE71-188-1XXX

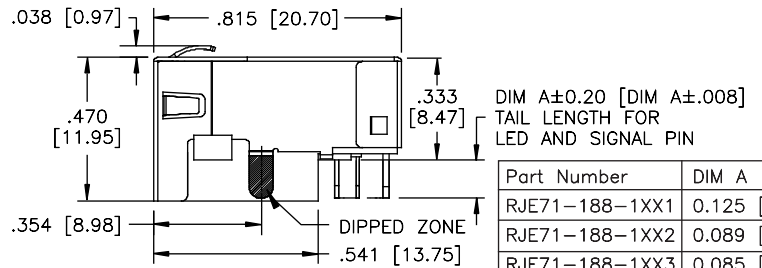
### Shielded



FRONT VIEW



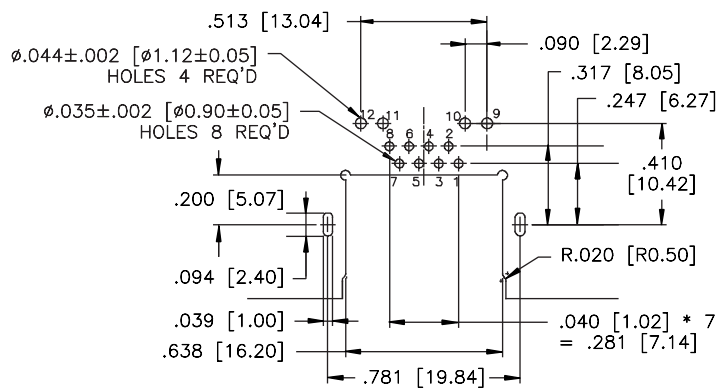
TOP VIEW



SIDE VIEW

DIM A ±0.20 [DIM A ±.008]  
TAIL LENGTH FOR  
LED AND SIGNAL PIN

Part Number	DIM A
RJE71-188-1XX1	0.125 [3.18]
RJE71-188-1XX2	0.089 [2.27]
RJE71-188-1XX3	0.085 [2.16]

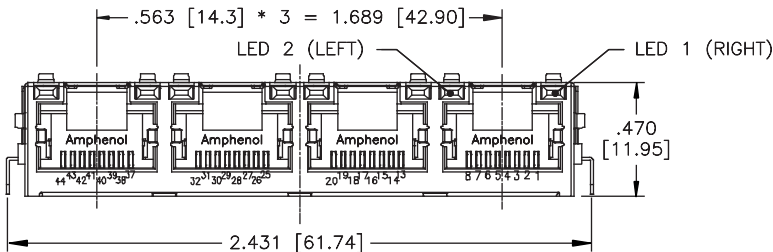


RECOMMENDED PCB LAYOUT

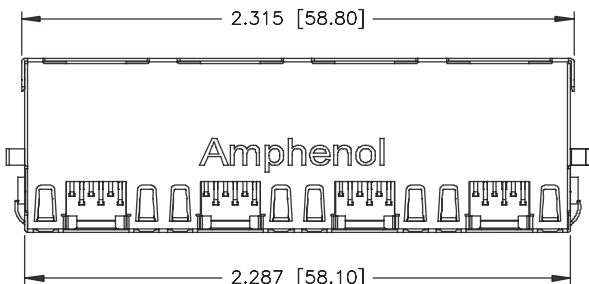
## Multi Port

RJE71-488-1XX1

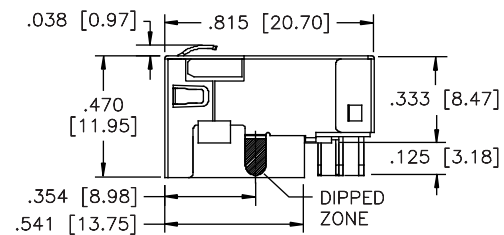
### Shielded



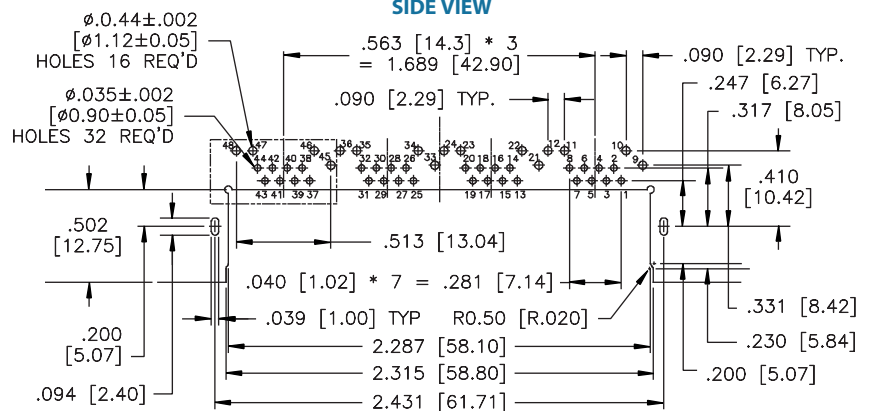
FRONT VIEW



TOP VIEW



SIDE VIEW



RECOMMENDED PCB LAYOUT

# RJE60

CAT 6A, RIGHT ANGLED, STANDARD PROFILE, WITH LEDs

## RIGHT ANGLED, STANDARD PROFILE, WITH LEDs

The RJE60 series of modular jacks meet CAT 6A performance per EIA-568-C.2. It supports Gigabit Ethernet Protocols. Shielding is available for increased EMI performance and LEDs for link activity and network speed verification.



## SPECIFICATIONS

### Material

<b>Insulator:</b>	High temp. thermoplastic; Complies with UL 94V-0; Black
<b>Contacts:</b>	Phosphor bronze hard temper with gold thickness options (6 $\mu$ " , 15 $\mu$ " , 30 $\mu$ " , 50 $\mu$ " ) over 50 $\mu$ " min. nickel on contact mating area; 100 $\mu$ " min. matte tin plating on solder tails
<b>Shield:</b>	Stainless steel with tin dipped tails
<b>LED:</b>	Tin plating on LED tails

### Mechanical

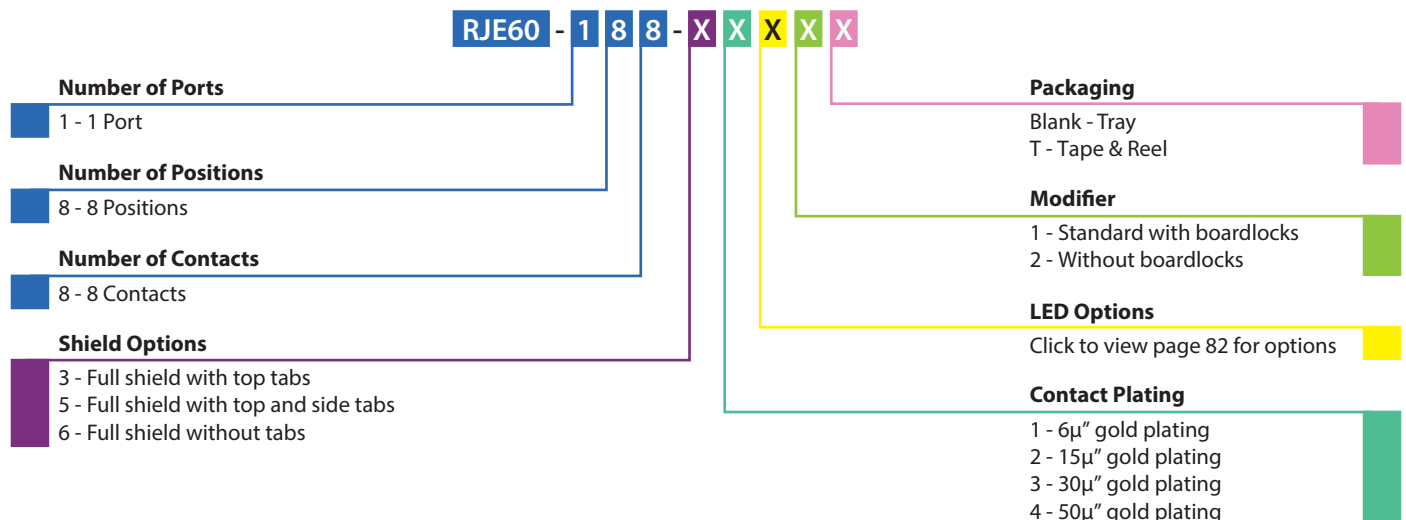
<b>Insertion Force:</b>	5 lbs max.
<b>Pull Retention Force:</b>	20 lbs min.
<b>Durability:</b>	750 mating & unmating cycles
<b>Redcommended Soldering Temperature:</b>	Wave soldering peaked at 260°C for 10 secs max. for one cycle with an LED defect rate of no more than 100ppm
<b>Operating Temperature:</b>	-55°C to + 85°C

*\*Note: Multiple exposures not recommended ; IR Reflow compatible version also available; Consult factory for details*

### Electrical

<b>Contact resistance:</b>	20 m $\Omega$ max.
<b>Insulation resistance:</b>	500 M $\Omega$ min. at 500V DC for 2 mins max.
<b>Current Rating:</b>	1.25 Amps per contact
<b>Voltage Rating:</b>	125 Volts AC
<b>DWV:</b>	1000 VAC, 60 Hz. 1 min.
<b>LED Forward DC Current:</b>	20mA typical
<b>LED Forward Voltage:</b>	1.9 Volts max. at 2mA (for single colours) 2.6 Volts max. at 20mA (for bicolours)
<b>LED Reverse Voltage:</b>	5 Volts min.
<b>LED Light Intensity:</b>	0.4 to 1.5 mcd min. at 2mA (for single colours) 0.5 mcd min. at 2mA (for bicolours)
<b>LED Wave Length:</b>	Yellow: 587 $\pm$ 7 nm measured at 20mA Green: 565 $\pm$ 6 nm measured at 20mA Red: 625 $\pm$ 5 nm measured at 20mA

## ORDERING INFORMATION



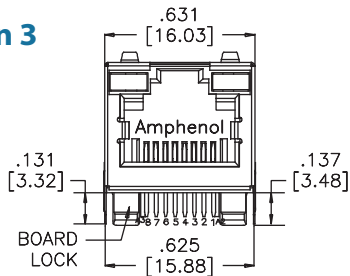
Didn't find what you were looking for?

Please contact [sales@amphenolcanada.com](mailto:sales@amphenolcanada.com) and let us know what you need.

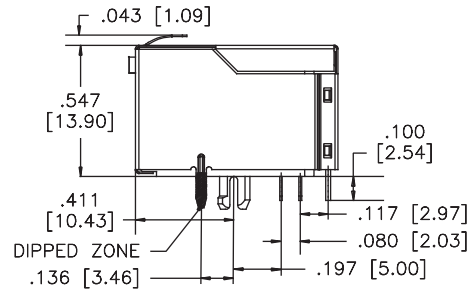
[Click to Return to Table of Contents](#)

## Single Port Shielded - Option 3

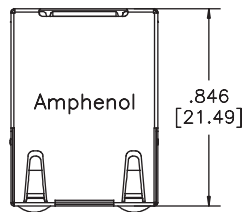
RJE60-188-3XX1



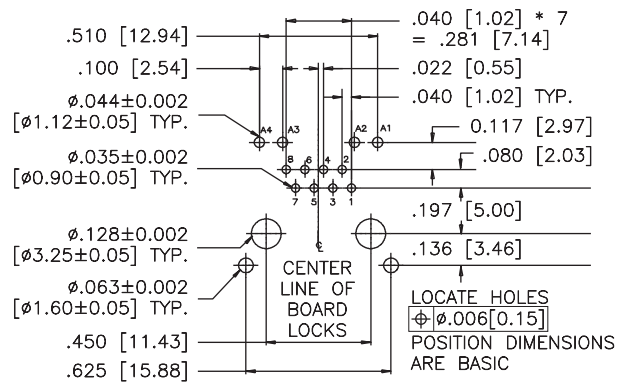
FRONT VIEW



SIDE VIEW



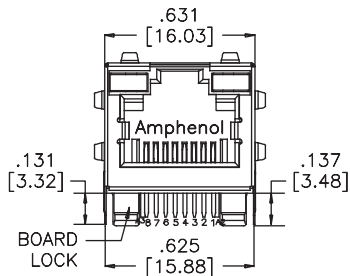
TOP VIEW



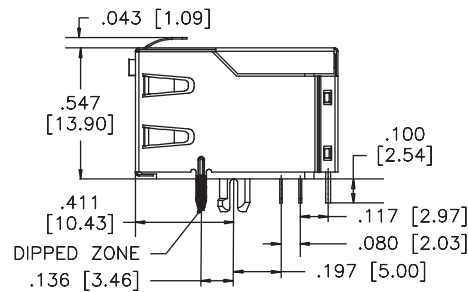
RECOMMENDED PCB LAYOUT

## Shielded - Option 5

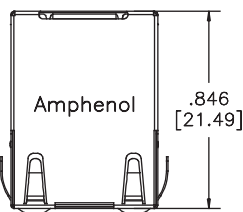
RJE60-188-5XX1



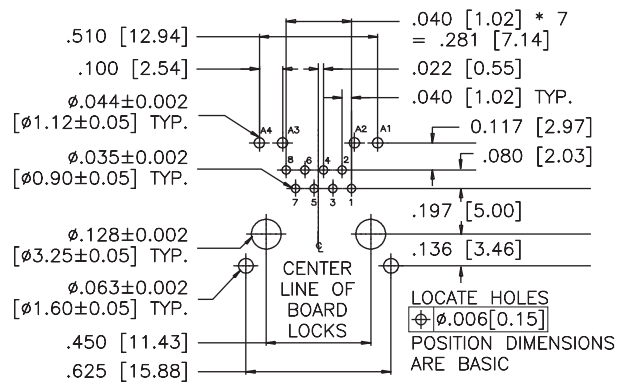
FRONT VIEW



SIDE VIEW



TOP VIEW



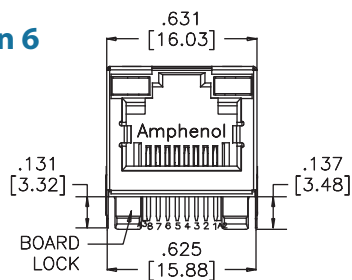
RECOMMENDED PCB LAYOUT

# RJE60

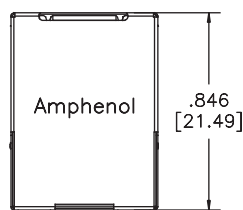
CAT 6A, RIGHT ANGLED, STANDARD PROFILE, WITH LEDs

## Single Port Shielded - Option 6

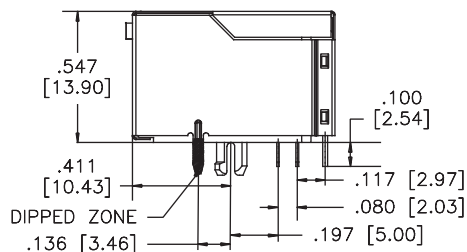
RJE60-188-6XX1



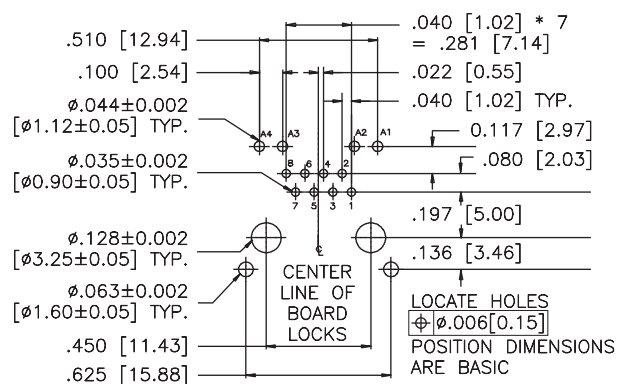
FRONT VIEW



TOP VIEW



SIDE VIEW



RECOMMENDED PCB LAYOUT

## Notes



## RJ45 COUPLER

The RJE17 coupler provides connections through barriers such as equipment covers and panels. They are locked into place with a panel latch for secure mounting. Available in CAT 3 and CAT 5 performance. The added shielding provides optional EMI protection.



## SPECIFICATIONS

### Material

<b>Insulator:</b>	Engineering thermoplastic; Complies with UL 94V-0; Black
<b>Contacts:</b>	Phosphor bronze hard temper with several gold thickness options over 50µ" min. nickel on contact mating area (refer to drawings)
<b>Shield:</b>	Stainless steel

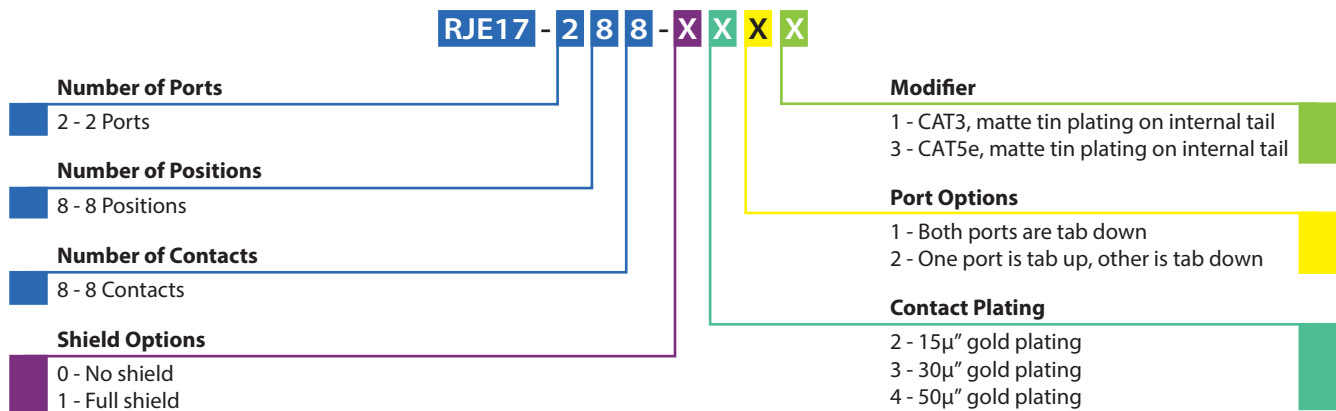
### Mechanical

<b>Insertion Force:</b>	5 lbs max.
<b>Pull Retention Force:</b>	20 lbs min.
<b>Durability:</b>	750 mating & unmating cycles
<b>Operating Temperature:</b>	-40°C to + 70°C
<b>Storage Temperature:</b>	-40°C to + 85°C

### Electrical

<b>Contact resistance:</b>	20 mΩ max.
<b>Insulation resistance:</b>	500 MΩ min. at 500V DC for 2 mins max.
<b>Current Rating:</b>	1.5 Amps per contact
<b>Voltage Rating:</b>	125 Volts AC
<b>DWV:</b>	1000 VAC, 60 Hz. 1 min.

## ORDERING INFORMATION



Didn't find what you were looking for?

Please contact [sales@amphenolcanada.com](mailto:sales@amphenolcanada.com) and let us know what you need.

← [Click to Return to Table of Contents](#)

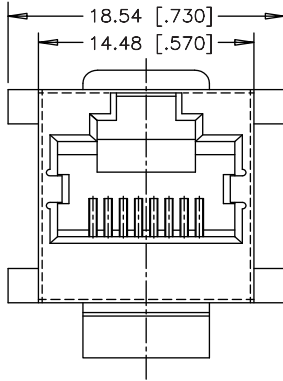
# RJE17

RJ45 COUPLER

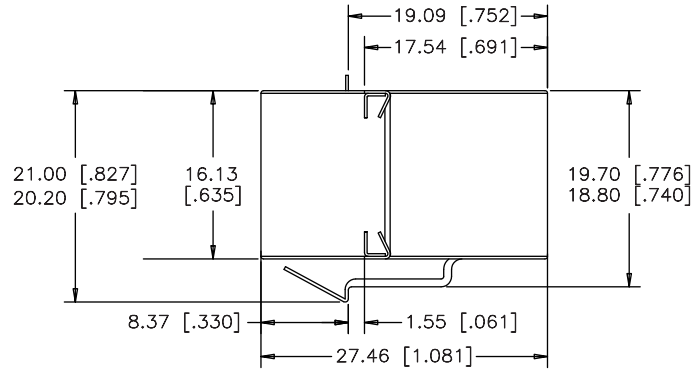
## Single Port

Shielded

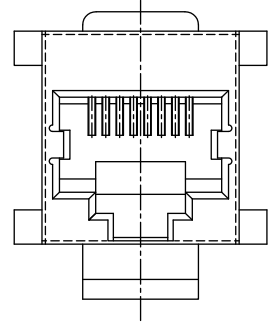
RJE17-288-1X21



FRONT VIEW



SIDE VIEW



REAR VIEW

## Notes

# LED OPTIONS

## LED Designation

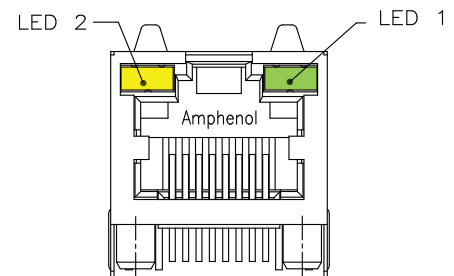
Ex. RJHSE - 538X\*

LED Code	LED 2 Left		LED 1 Right	
0	Blocked		Blocked	
1	Yellow		Green	
2	Blocked		Green	
3	Yellow		Blocked	
4	Green		Yellow	
5	Green		Green	
6	Yellow		Yellow	
7	Red		Green	
8	Green		Red	
9	Green		Blocked	
A	Green	Yellow	Green	Yellow
B	Red	Green	Red	Green
C	Red	Green	Green	Yellow
D	Green		Green	Yellow
E	Yellow		Green	Yellow
F	Green	Yellow	Yellow	
G	Green	Orange	Green	Orange
H	Green	Yellow	Green	
J	Red	Green	Yellow	
K	Yellow		Green	Orange
L	Green	Yellow	Red	
M	Red		Yellow	
N	Green	Red	Green	Yellow
P	Green		Red	Green
R	Green	Orange	Green	
T	Red		Red	
V	Red	Green	Green	

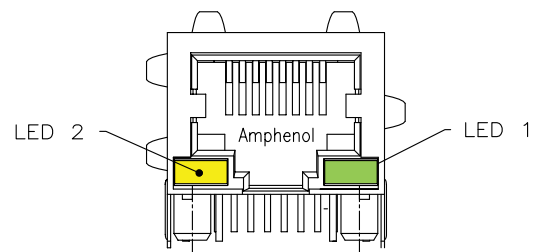
### \*LED Designation Code

Note: A black X in the part number refers to the LED designation code for all drawings in this catalogue.

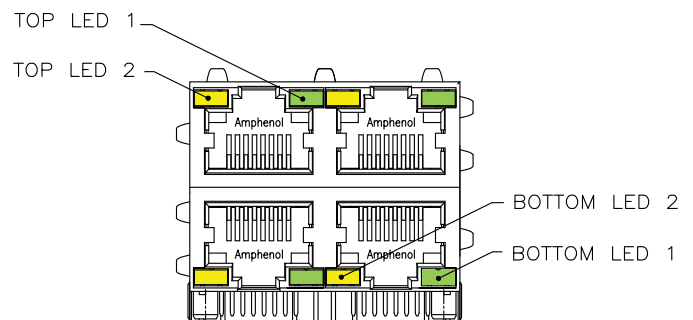
#### For Tab Up Connectors:



#### For Tab Down Connectors:



#### For Stacked Connectors:



Other LED options are available. If you do not see what you're looking for, please email [sales@amphenolcanada.com](mailto:sales@amphenolcanada.com) to request the complete the LED ordering options.

← [Click to Return to Table of Contents](#)

# Amphenol

*Now You're Connected!*

605 Milner Avenue  
Toronto, Ontario  
Canada, M1B 5X6

[www.amphenolcanada.com](http://www.amphenolcanada.com)  
Telephone: (416) 291-4401  
Fax: (416) 754-8668  
E-mail: [sales@amphenolcanada.com](mailto:sales@amphenolcanada.com)

All specifications are subject to change without notice.

## X-ON Electronics

Largest Supplier of Electrical and Electronic Components

*Click to view similar products for [Amphenol manufacturer](#):*

Other Similar products are found below :

[PT06SE-14-19S\(LC\)](#) [EN2997SE01006MN](#) [CTV06RW-11-2JB-LC](#) [JTPQ00RT-16-35P\(453\)](#) [MS3106B18-11PX](#) [TRX10GDP0311A1](#) [10-507142-843](#) [MS3106A2020S](#) [D38999/24FD97PB](#) [JT07RT-22-35PC](#) [PT02E8-2S-072](#) [97-3108A14S-5PX](#) [MS27468E25F43S](#)  
[D38999/24FJ4PC](#) [JT07RT-8-35S](#) [MS27468E15F19PLC](#) [GTC030-28-21P-025-A31](#) [GTS030AF20-27SZ-B30](#) [AIB2-22-14SC-072](#)  
[GTS030AF20-27SY-B30](#) [GTS030AF20-27SX-B30](#) [GTS030AF20-27SW-B30](#) [AIB2-22-22SC-RDS-072](#) [AIB2-22-22PC-072](#) [97-3108A-22-22S\(417\)](#) [MS3108B28-15PY](#) [JT07RT-22-14PB-453](#) [MS3454L32-17PX](#) [159-2801-020](#) [TVS07RF-21-79S\(LC\)](#) [PT07SE2225S](#)  
[MS3102R1813S](#) [GTS00A-28-84S](#) [D38999/26MJ29HN](#) [D38999/26JH21JN](#) [PT03SE-14-12PLC](#) [GTC030AF20-23SZ-LC](#) [GTS02R14S-2SY-116](#) [CTVS06RF-17-6BB](#) [CTVS06RF-17-35BB](#) [GTC030AF20-23SX-B30-LC](#) [JT07RE-22-21S](#) [D38999/24WE99PB](#) [JT07RT-22-35PA](#)  
[JT07RT-22-35P](#) [D38999/24WE8PNLC](#) [D38999/26JH21HN](#) [TVS07RF-17-8P\(LC\)](#) [JT07RT-22-35PB](#) [97-3108A24-22P](#)