

# RJF TV6A

## Cat6A 10 Gb/s Ethernet connection system for harsh environment



10Gb/s!

### Description

RJFTV Cat6A allows you to use an Ethernet Class Ea / Cat. 6A connection for 10 BaseT, 100 BaseTx, 1000 BaseT or 10G BaseT up to 500 MHz networks in harsh environments.

With the patented RJStop system you can use a standard RJ45 cordset in a metallic plug which will protect it from shocks, dust and fluids. No hazardous on-field cabling and grounding!

### Main Features

- Tri Start Thread coupling mechanism (MIL-DTL-38999 series III type) with anti-decoupling device
- Shell size 19
- No cabling operation in field and no tools required
- Mechanical coding / Polarization (4 positions)
- Improved EMI protection
- Mating cycles: 500 min
- Compatible with cable diameter from 6 mm [0.236 in] to 12 mm [0.512 in]
- Panel thickness: 1,6 mm min and 3,2 mm max for standard jam nut receptacle
- Compatible with standard RJFTV plug

#### Data Transmission:

- 10 BaseT, 100 BaseTX, 1000 BaseT and 10G Base T up to 500 MHz networks
- Cat.6A connector according to TIA568C.2 and ISO/IEC11801 standard

#### Environmental protection:

- Sealed against fluids and dusts: IP68 mated
- Compounded versions: IP68 unmated
- Salt spray: Aluminium shell:
  - Nickel plating ✓ : 48h.
  - Black zinc nickel plating ✓ : 500h
  - Olive drab cadmium plating: 500h
  - Marine bronze shell ✓ : 500h
- Stainless steel shell: Passivated ✓ : 500h

- Fire retardant/Low smoke: EN45545 + UL94V0 (non metallized inserts)
- Vibrations: 10 - 500 Hz, 10 g, 3 axes: no discontinuity > 1 micro s.
- Shocks: IK06 ▶ weight of 250 g drop from 40 cm [15.75 in]
  - ▶ onto connectors (mated pair)
- Temperature range: -40°C / +85°C

### Markets & Applications

✓ : RoHS compliant



C4ISR, battlefield



Ground Vehicle



Navy



Railway



Applications :

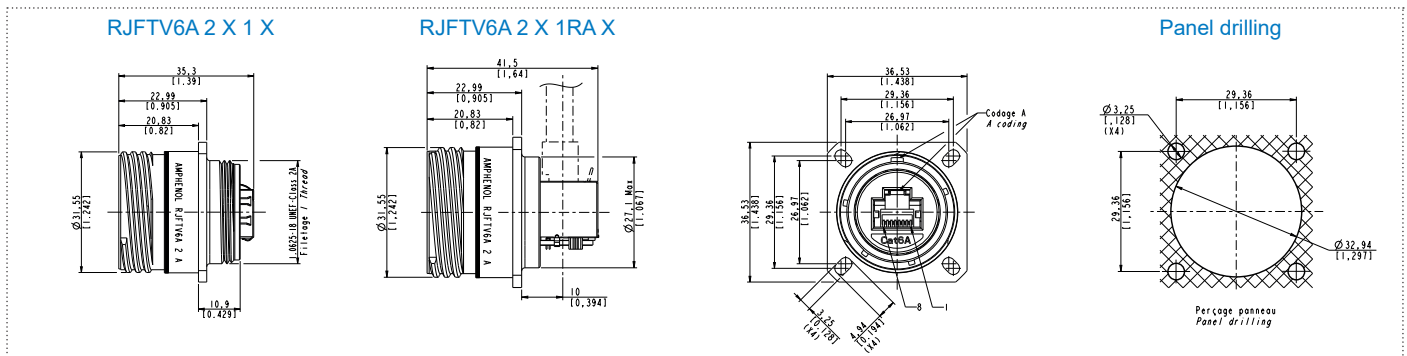
- Data acquisition and transmission in harsh environment, radars, shelters, battlefield communication

# OVERALL DIMENSIONS - RECEPTACLES

x: see the 'How to order' below to complete your part number

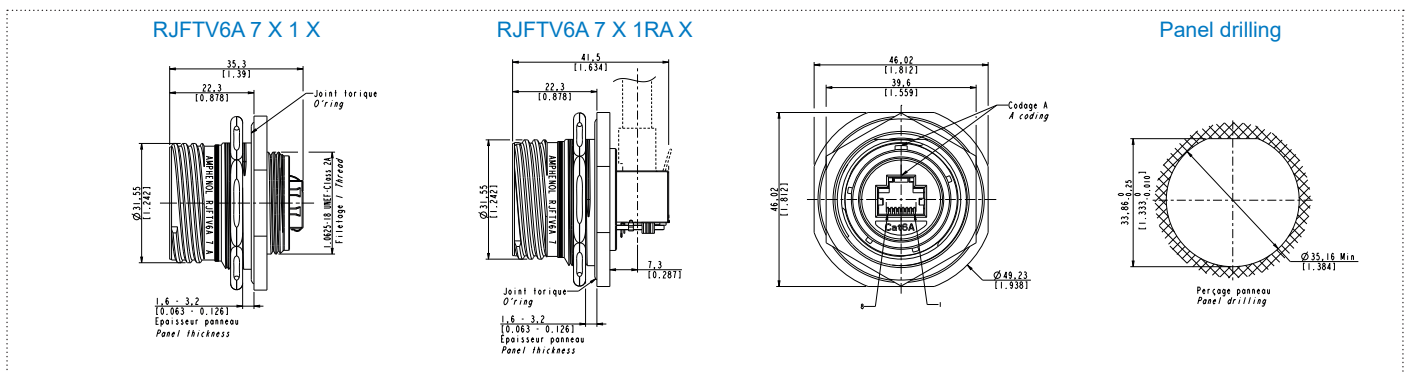
## Square flange receptacle - 4 mounting holes: shell type 2

Compatible with standard plugs, accessories and cables



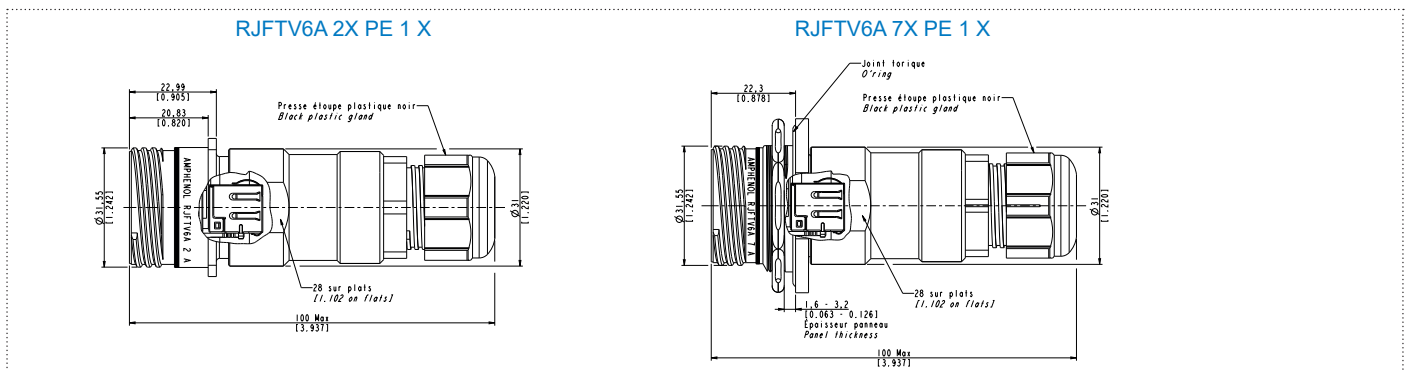
## Jam nut receptacle - Hexagonal nut mounting: shell type 7

Compatible with standard plugs, accessories and cables



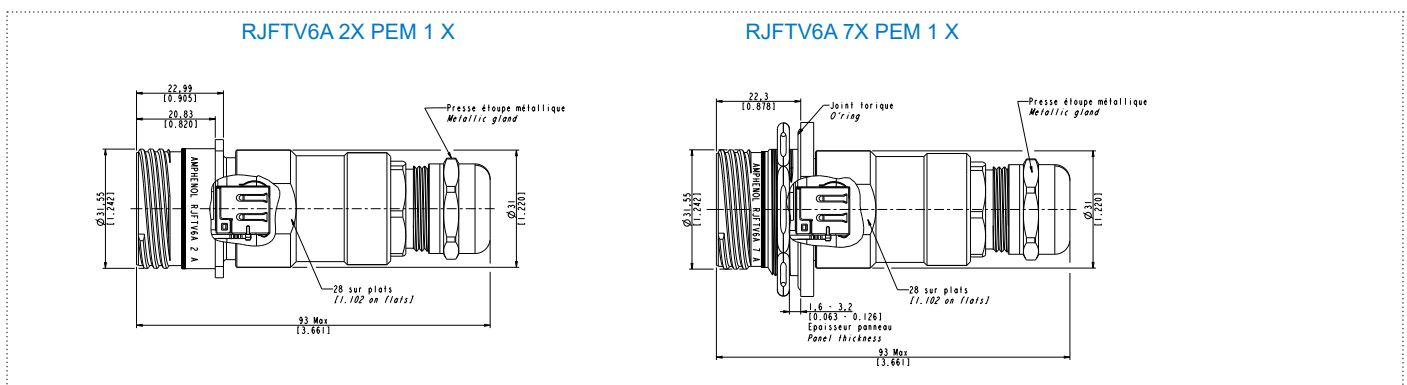
## Receptacles with IP68 backshell: Shell type 2PE and 7PE with plastic gland

Compatible with standard plugs, accessories and cables



## Receptacles with IP68 backshell: Shell type 2PEM and 7PEM with metal gland

Compatible with standard plugs, accessories and cables



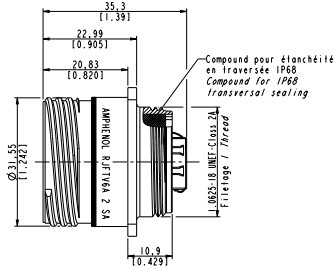
# OVERALL DIMENSIONS - RECEPTACLES

x: see the 'How to order' below to complete your part number

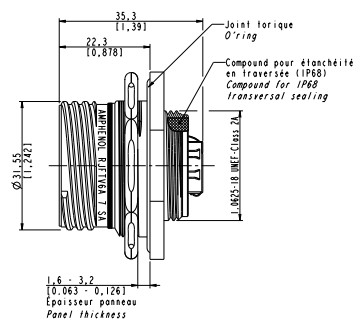
## Sealed receptacles : Shell type 2S and 7S with compound for IP68 transversal sealing

Compatible with standard plugs, accessories and cables

RJFTV6A 2S X 1 X



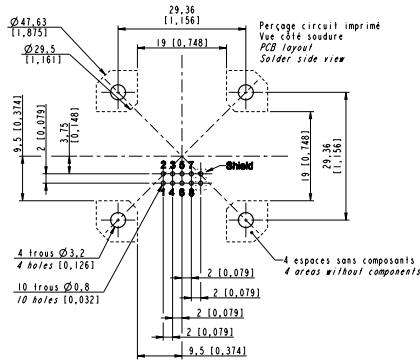
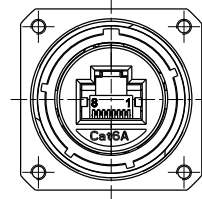
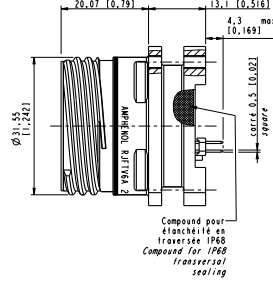
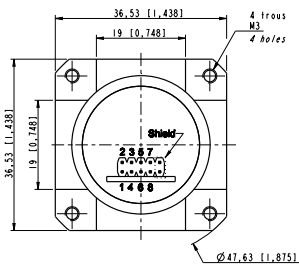
RJFTV6A 7S X 1 X



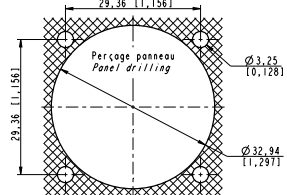
## Stand-off receptacles : Shell type 2S with compound for IP68 transversal sealing: Deviation F459

Compatible with standard plugs, accessories and cables

RJFTV6A 2S X 5 X F459



Panel drilling



# OVERALL DIMENSIONS - RECEPTACLES

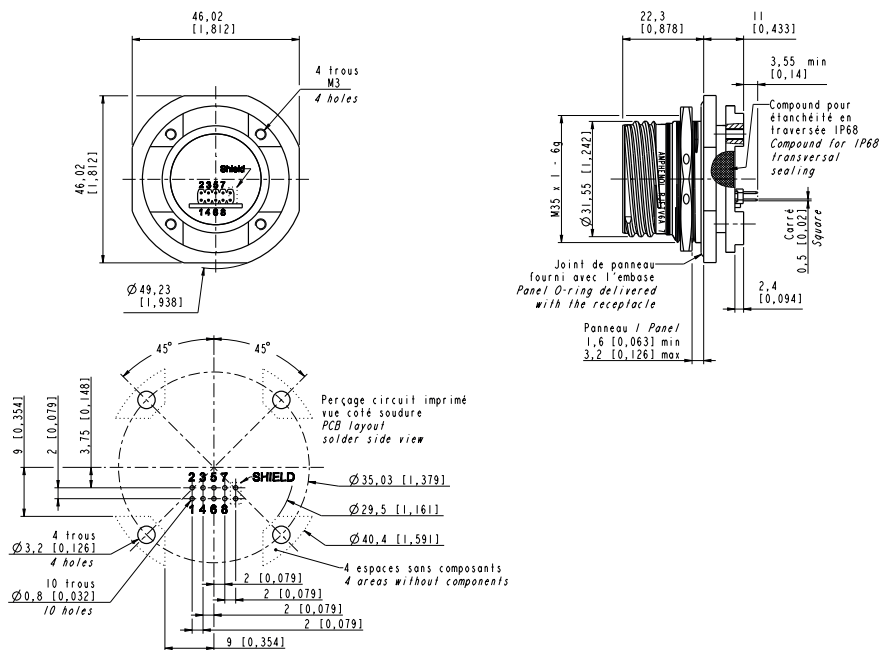
x: see the 'How to order' below to complete your part number

## Stand-off receptacles: Shell type 7S with compound for IP68 transversal sealing: deviation F459

Compatible with standard plugs, accessories and cables

RJFTV6A 7S X 5 X F459

Panel drilling

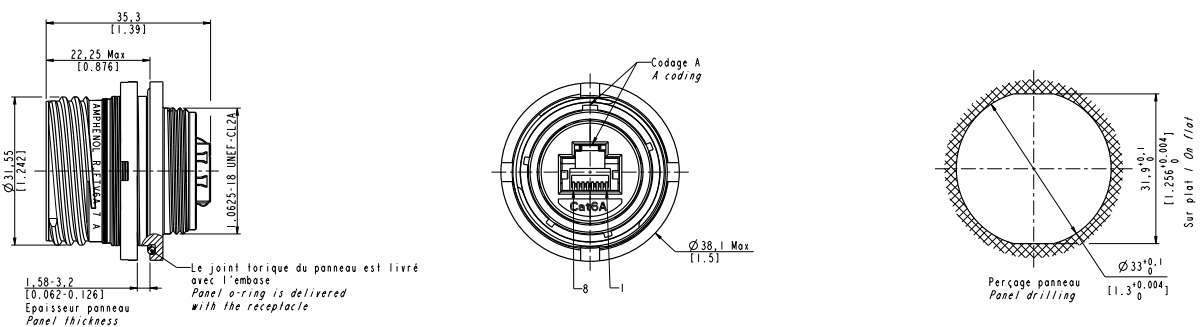


## Reduced flange Jam nut receptacle – Castle nut mounting: Deviation F312

Compatible with standard plugs, accessories and cables

RJFTV6A 7 X 1 X F312

Panel drilling

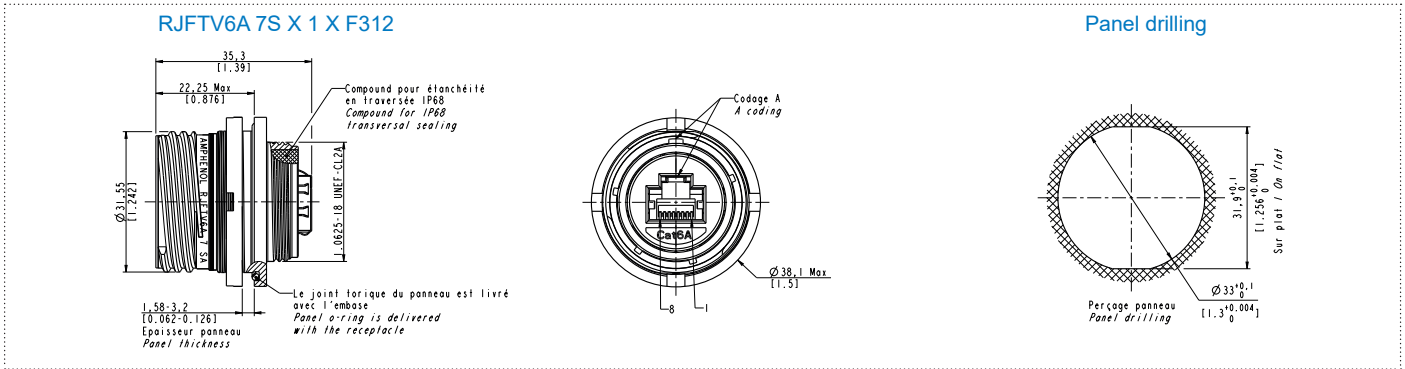


# OVERALL DIMENSIONS - RECEPTACLES

x: see the 'How to order' below to complete your part number

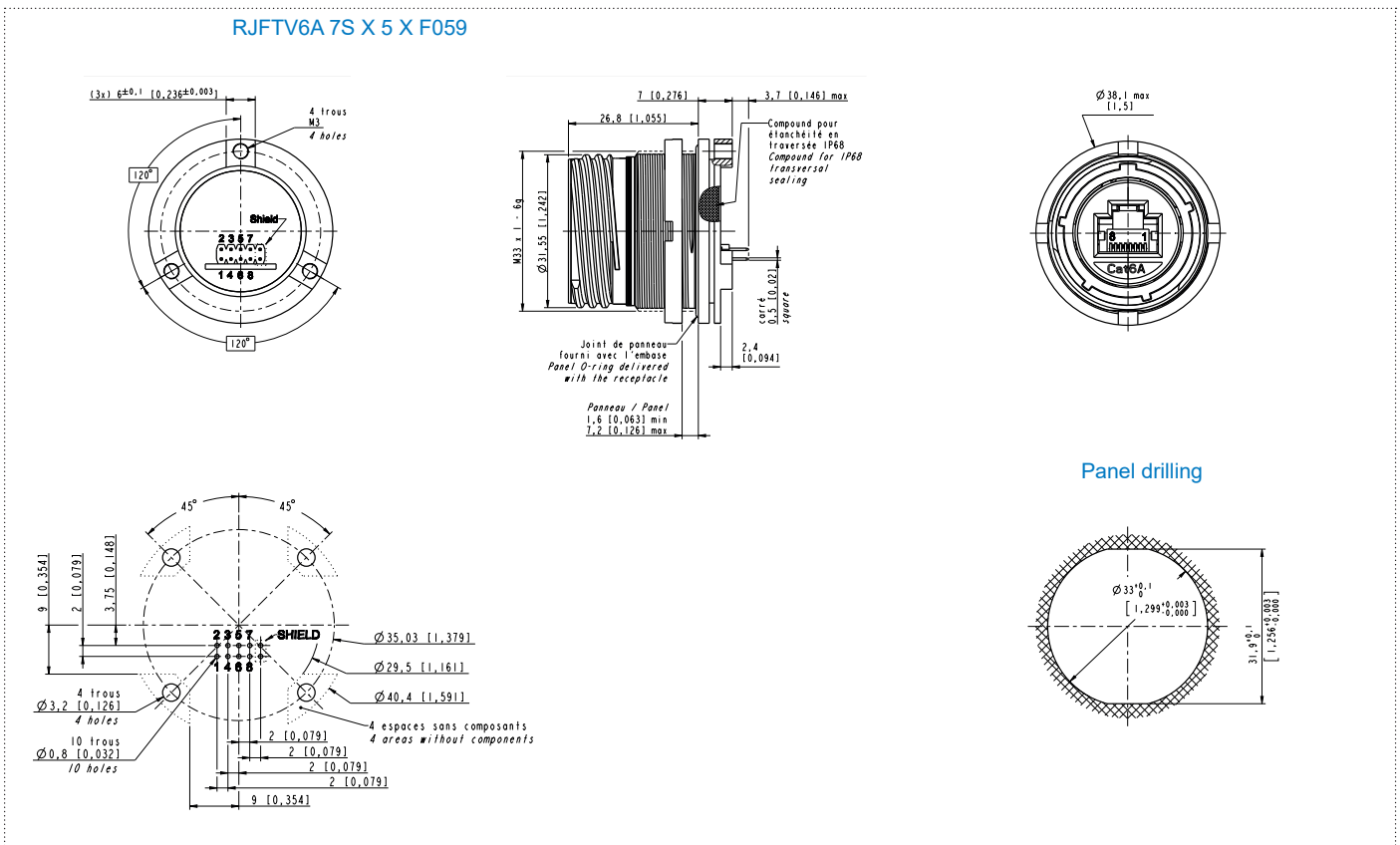
## Reduced flange Jam nut receptacle – Castle nut mounting : Deviation F312 with compound for IP68 transversal sealing

Compatible with standard plugs, accessories and cables



## Reduced flange Stand-off Jam nut receptacle – Castle nut mounting : Deviation F059 with compound for IP68 transversal sealing

Compatible with standard plugs, accessories and cables







# NOTES

A series of horizontal dotted lines for taking notes, spanning the width of the page.

# Mating parts and accessories

	Plugs	Protective caps	Tools/accessories	Cables
<b>Mating parts</b>	Standard RJFTV plugs	RJF TV caps Self-closing caps Rubber caps	RJF ODE JE18	Cat 6A cable
<b>Refer to</b>	RJ Field catalog (DOC-000075-ANG)	RJ Field catalog (DOC-000075-ANG) Protective caps data-sheet (DOC-000034-ANG)	RJ Field catalog (DOC-000075-ANG)	RJ Field catalog (DOC-000075-ANG)

## How to order - RJFTV6A

	1.	2.	3.	4.	5.	6.	
	Series	Shell type	Coding	Material and platings	Back termination	Material and platings	Deviation
	RJFTV6A	2	A	PE	1	ZN	F459

### 1. Shell type

2	Square flange receptacle
2S	Sealed square flange receptacle
7	Jam nut receptacle
7S	Sealed jam nut receptacle

### 2. Coding

A	
B	
C	
D	

### 3. Backshells

PE	IP68 backshell, plastic gland
PEM	IP68 backshell, metal gland
Blank	Receptacle without backshell

### 4. Back termination

1	Female RJ45	
1RA	Right angle female RJ45	
5	PC Tails	

### 5. Material and platings

	Shell material	Shell finish
G		Olive Drab cadmium
N	Aluminum	Nickel ✓
ZN		Black zinc nickel ✓
S	Stainless steel	Passivated ✓
BZ	Bronze ✓	-

### 6. Deviation

F459	Square flange receptacle
F312	Reduced flange Jam nut receptacle
F059	Reduced flange Stand-off Jam nut receptacle

✓ : RoHS compliant

Amphenol Socapex  
948, promenade de l'Arve BP29  
74311 Thyez Cedex - France  
Phone: +33 (0)4 50 89 28 00  
contact@amphenol-socapex.fr

www.amphenol-socapex.com  
Follow Amphenol Socapex on social media :



Designed by Amphenol Socapex  
DOC-001020-ANG - September 2019

We reserve the right to modify our products in any way we deem necessary.  
Any duplication is prohibited, unless approved in writing.

**Amphenol SOCAPEX**



## X-ON Electronics

Largest Supplier of Electrical and Electronic Components

*Click to view similar products for [Modular Connectors](#) / [Ethernet Connectors](#) category:*

*Click to view products by [Amphenol](#) manufacturer:*

Other Similar products are found below :

[8949-H88/06BLKA/SN](#) [74441-0010/BKN](#) [MP1010RX-1000](#) [MP44RX-1000](#) [PHJ-4P4C-1-V-4](#) [PHP-6P6C-5](#) [GAX-3-66](#) [GAX-8-62](#) [GDCX-PA-66-50](#) [GDCX-PN-64](#) [GDCX-PN-66](#) [GDCX-PN-66-50](#) [GDLX-A-66](#) [GDLX-N-66](#) [GDLX-S-66](#) [GDLX-S-88K](#) [GDTX-S-88-50](#) [GDX-PA-1010](#) [GLX-N-1010M-BLK](#) [GLX-S-88M-BLK](#) [GMX-N-1010](#) [GMX-S-1010](#) [GMX-S-66](#) [GMX-SMT4-N-88](#) [GPX-2-64](#) [GSGX-N-2-88](#) [GSGX-N-4-88](#) [GSX-NS2-88-3.05-50](#) [PT-108A-8C-UL](#) [PT-J951-8C](#) [PTS-J531-8CS-50UL](#) [1-1775629-2](#) [A-2014-0-4](#) [GWLX-S-88-GR](#) [GWLX-S9-88-YG](#) [DC-1021-8-WH-6](#) [1300530003](#) [1324640-4](#) [RJ11FTVC2G](#) [RJ11FTVC2N](#) [RJFTVX2SA1G](#) [132764-001](#) [1413235](#) [MP88X-1000](#) [MPS88RX-5000](#) [MRJR-5481-0F2](#) [E5288-S000K3-L](#) [E5908-15A242-L](#) [155302-001](#) [AX100653](#)