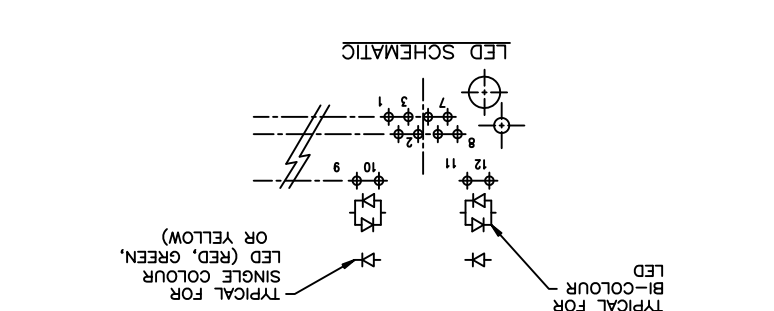


THIS DOCUMENT CONTAINS PROPRIETARY INFORMATION AND SUCH INFORMATION MAY NOT BE DISCLOSED TO OTHERS FOR ANY PURPOSE OR USED FOR MANUFACTURING PURPOSES WITHOUT WRITTEN PERMISSION FROM AMPHENOL CANADA CORP.

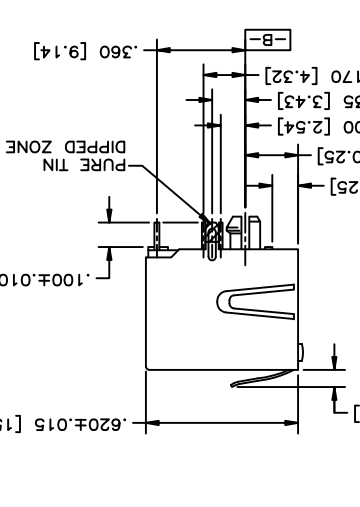
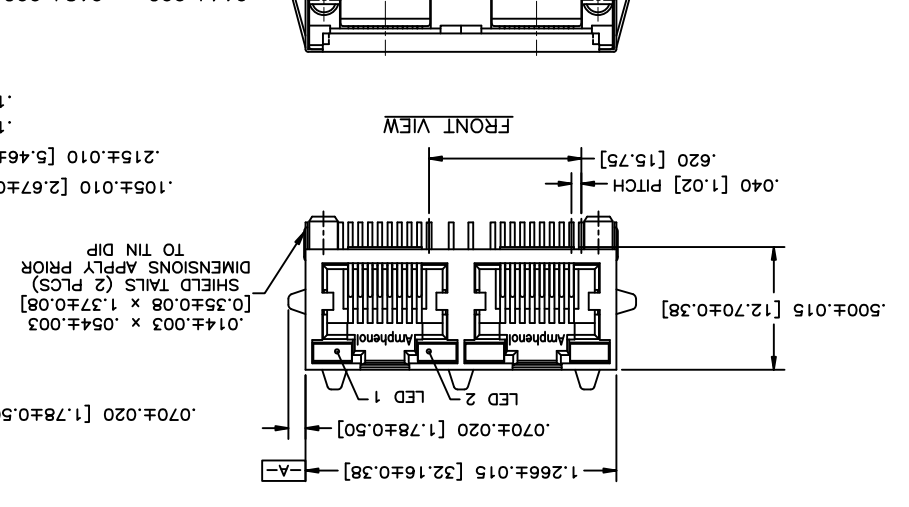
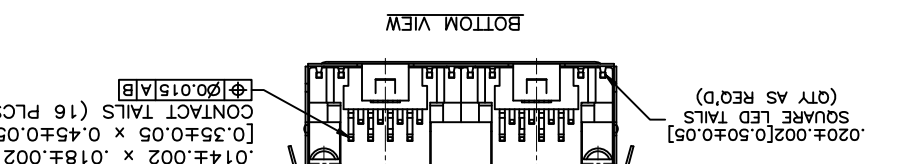
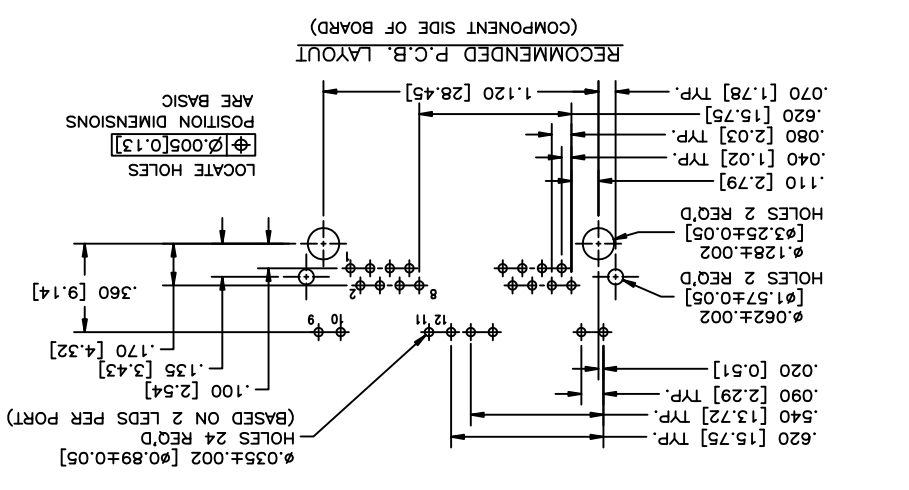
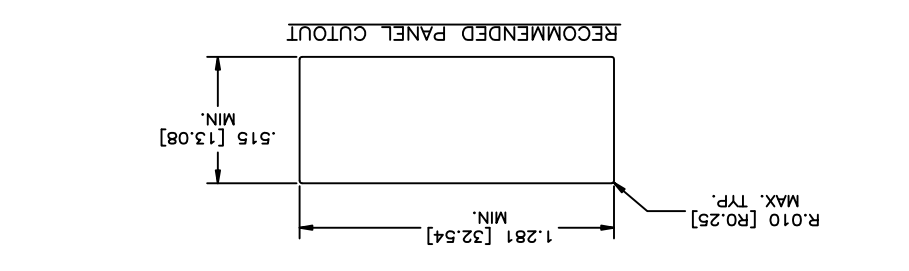
DATE	05/12/29
DRAWN P/MANG	DESIGNED
CHECKED CHIGOM	05/12/29
TITLE	
2 PORT HIGH SPEED RJ45 MODULAR JACK	
LOW PROFILE, 8 POSITION, 8 CONTACTS	
SHIELDED, WITH LEDS, - ROHS COMPLIANT	
DWG. NO.	P-RJHSE-L38X-02
DWG. REV.	E
SCALE	03554
WT.	
SURF.	
SHEET 1 OF 1	

REF.	DIMENSIONS ARE IN INCHES /mm/
ENG. REL. NO.	
DWG. APPRD.	
Q. A. APPRD.	
I. E. APPRD.	

AMPHENOL PART NUMBER: RJHSE-L38X-02	REFER TO AMPHENOL CATALOGUE FOR LED COLOUR OPTIONS
CONTACTS:	PHOSPHOR BRONZE PLATING: 50 μ" [1.27 MICRONS] MIN. GOLD ON MATING SURFACES. 50 μ" [1.27 MICRONS] MIN. NICKEL UNDERPLATE 100 μ" [2.54 MICRONS] MIN. MATTE TIN ON CONTACT TAILS.
SHIELD:	COPPER ALLOY PLATING: NICKEL WITH PURE-TIN DIPPED PCB TAILS
MATERIALS:	PLASTIC HOUSING: HIGH TEMPERATURE THERMOPLASTIC FLAMMABILITY RATING UL 94V-0



REVISIONS	SYM	ZONE	ECN, ERN NO.	DATE	APPRD.
	E		PRODUCT DRAWING	FEB2/12	K.L.



## X-ON Electronics

Largest Supplier of Electrical and Electronic Components

*Click to view similar products for [Modular Connectors](#) / [Ethernet Connectors](#) category:*

*Click to view products by [Amphenol](#) manufacturer:*

Other Similar products are found below :

[RJE231881317T](#) [MP1010RX-1000](#) [MP44RX-1000](#) [GAX-3-66](#) [GAX-8-62](#) [93606-0253](#) [GD-A-44](#) [GDCX-PA-66-50](#) [GDCX-PN-64](#) [GDCX-PN-66](#) [GDCX-PN-66-50](#) [GDLX-A-66](#) [GDLX-A-88](#) [GDLX-N-66](#) [GDLX-S-88K](#) [GDTX-S-88-50](#) [GDX-PA-1010](#) [GLX-N-1010M-BLK](#) [GLX-N-44M](#) [GLX-S-88M-BLK](#) [GMX-N-1010](#) [GMX-S-1010](#) [GMX-S-66](#) [GMX-SMT2-N-1010](#) [GMX-SMT2-N-64-50](#) [GMX-SMT2-S6-88](#) [GMX-SMT4-N-88](#) [GPX-2-64](#) [GRT1-BT1-5](#) [GSGX-N-2-88](#) [GSX-NS2-88-3.05](#) [GSX-NS2-88-3.05-50](#) [GSX-NS-88-3.05-30](#) [GSX-NS-88-3.05-50](#) [GSX-NS-88-3.68](#) [1-1775629-2](#) [GWLX-S-88-GR](#) [GWLX-S9-88-YG](#) [1300500326](#) [1300500227](#) [1300530003](#) [1300570002](#) [1324640-4](#) [RJ11FTVC2G](#) [RJ11FTVC2N](#) [RJFTVX2SA1G](#) [132764-001](#) [1400000](#) [1413176](#) [1413235](#)