

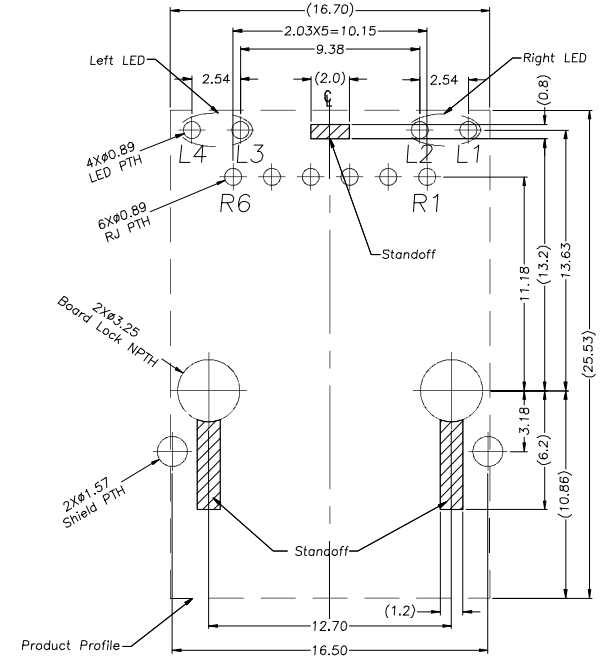
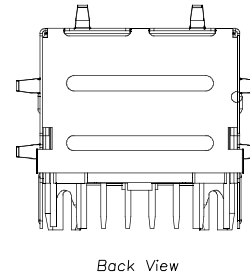
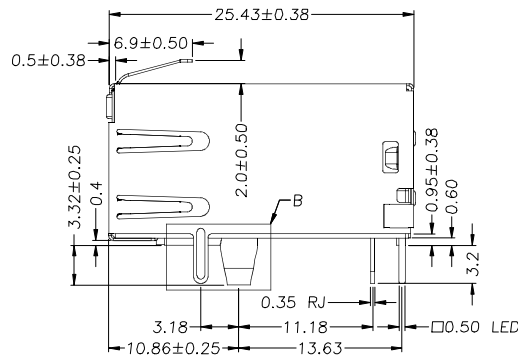
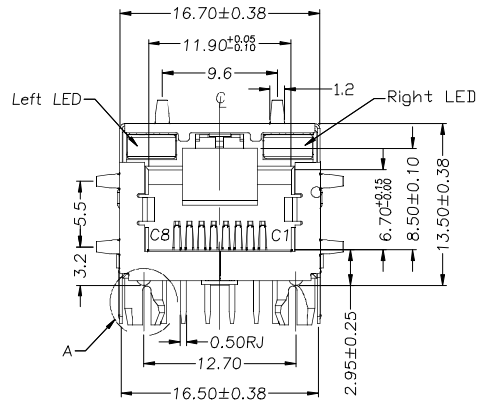
This document is the property of Amphenol Corporation and is delivered on the express condition that it is not to be disclosed, reproduced or used, in whole or in part, for manufacture or sale by anyone other than Amphenol Corporation without its prior consent, and that no right is granted to disclose or to use any information in this document.

The marking on this product doesn't contain environmental hazardous materials per Material Specification SS-00259 for Sony GP compliant or per directive 2011/65/EU for RoHS compliant.

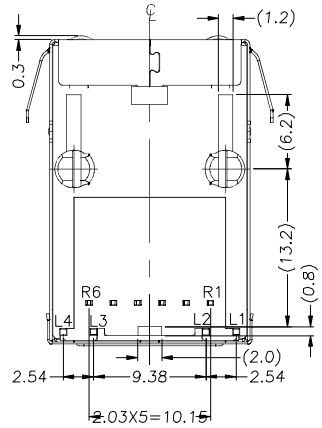
MFG CODE: \_\_\_\_\_

# CUSTOMER DRAWING

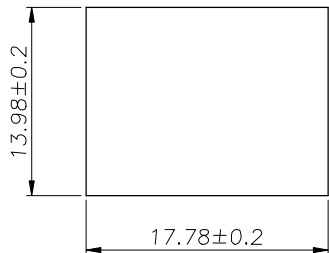
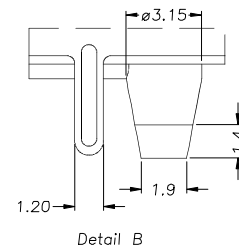
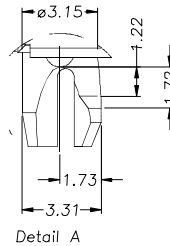
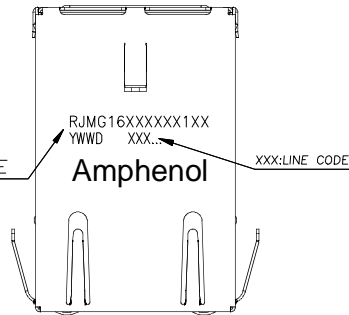
REVISIONS				
SYM	ECN No.	DESCRIPTION	DATE	APPROVED
C	NE-13016	ADD THE SCHEMATIC FOR ALL OPTIONS	01/24/2013	Roger Tsai
D	NE-14155	ADD LED OPTIONS	01/29/2015	Roger Tsai
EX1	/	UPDATE LED OPTIONS D/C CODE	09/29/2017	Lawrence Chan



RECOMMENDED PCB LAYOUT  
(ALL TOLERANCES ARE ±0.05)



DATE CODE  
Y=YEAR  
WW=WEEK  
D=DAY



RECOMMENDED PANEL CUTOUT

TOLERANCE	APPROVALS	DATE	TITLE		Amphenol®					
X. ±0.35	DRAWN Arvin Ye	09/29/2017	SINGLE PORT RJmag CONNECTOR SHIELD, WITH R&C TERMINATION 10/100		Amphenol Corporation Amphenol Taiwan Corporation					
X.X ±0.25										
X.XX ±0.15	CHECKED Vivian Wen	09/29/2017								
ANGULAR ±1°	APPROVED Lawrence Chan	09/29/2017			UNIT	mm	SIZE	A3	PART No.	RJMG16XXXXX1XX
UNLESS OTHERWISE SPECIFIED	DWG TYPE CUST DWG	PROJECT CODE GT278			SCALE	NA	SHEET	1 OF 3	DWG No.	RJMG16XXXXX1XX
									REV.	EX1

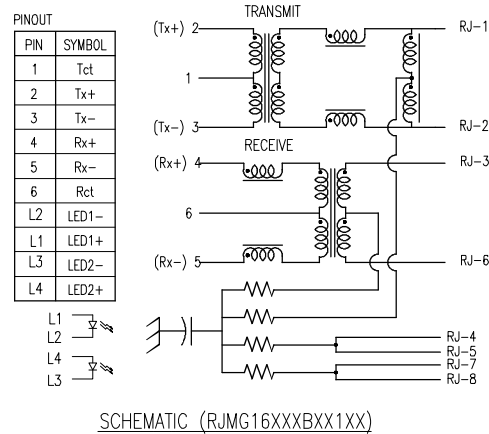
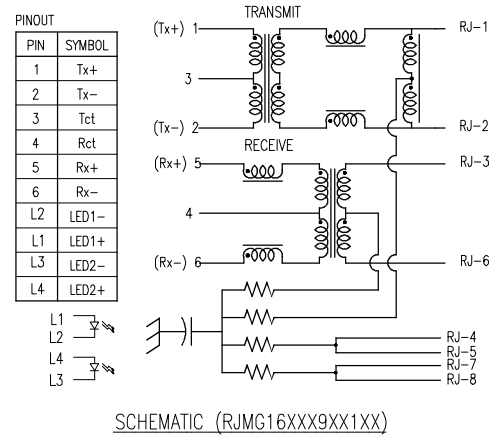
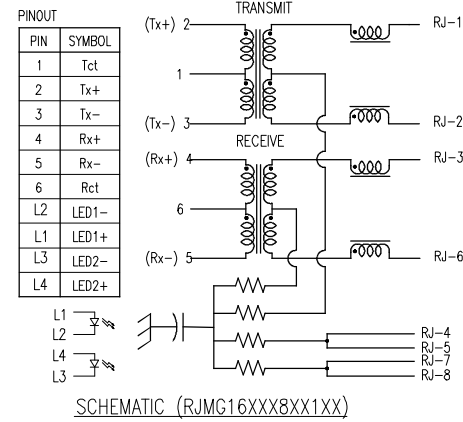
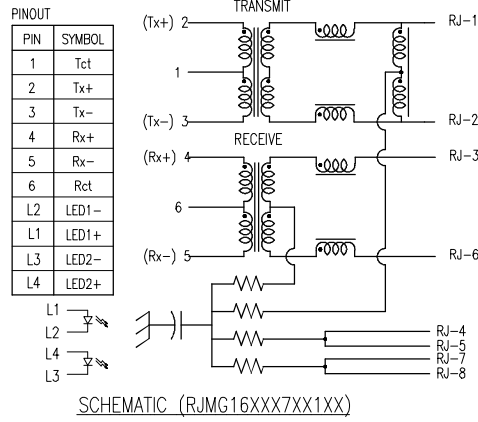
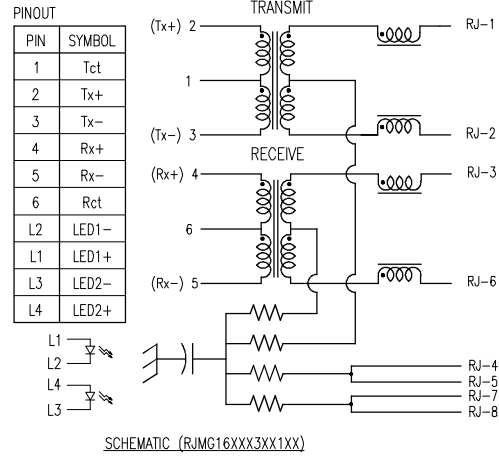
This document is the property of Amphenol Corporation and is delivered on the express condition that it is not to be disclosed, reproduced or used, in whole or in part, for manufacture or sale by anyone other than Amphenol Corporation without its prior consent, and that no right is granted to disclose or to use any information in this document.

The marking on this product doesn't contain environmental hazardous materials per Material Specification SS-00259 for Sony GP compliant or per directive 2011/65/EU for RoHS compliant.

MFG CODE: \_\_\_\_\_

# CUSTOMER DRAWING

REVISIONS				
SYM	ECN No.	DESCRIPTION	DATE	APPROVED
C	NE-13016	ADD THE SCHEMATIC FOR ALL OPTIONS	01/24/2013	Roger Tsai
D	NE-14155	ADD LED OPTIONS	01/29/2015	Roger Tsai
EX1	/	UPDATE LED OPTIONS D/C CODE	09/29/2017	Lawrence Chan



RJMG16 X X X X X X 1 X X

**SHIELD OPTIONS**

3: STANDARD SHIELD WITH SIDE TABS

**LED1 (RIGHT SIDE)**

- 0: W/O LED
- 1: GREEN
- 2: YELLOW
- 4: GREEN/YELLOW
- 6: GREEN/ORANGE

**LED2 (LEFT SIDE)**

SEE LED1

**TERMINATION OPTIONS**

- 3: SEE THE SCHEMATIC IN PAGE 2.
- 7: SEE THE SCHEMATIC IN PAGE 2.
- 8: SEE THE SCHEMATIC IN PAGE 2.
- 9: SEE THE SCHEMATIC IN PAGE 2.
- B: SEE THE SCHEMATIC IN PAGE 2.

**COMPLIANCE CODE**

BLANCK: NONE-ROHS  
R: RoHS Compliant

**PLATING THICKNESS ON MATING CONTACTS**

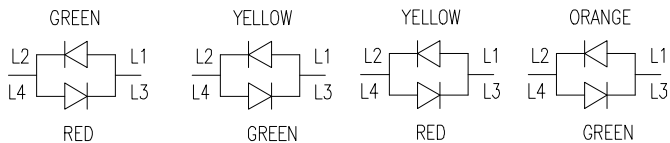
AND SHIELD SPEC  
L: Gold Flash, STAINLESS STEEL T=0.2MM.  
M: Gold 15u in, STAINLESS STEEL T=0.2MM.  
N: Gold 30u in, STAINLESS STEEL T=0.2MM.

**TIA WIRING**

0: STANDARD

**URNS RATIO (TRANSMIT)**

1: 1:1



TOLERANCE	APPROVALS	DATE	TITLE		PART No.			
X. ±0.35 X.X ±0.25 X.XXX ±0.15	DRAWN Arvin Ye	09/29/2017	SINGLE PORT RJmag CONNECTOR SHIELD, WITH R&C TERMINATION 10/100		RJMG16XXXXXX1XX			
ANGULAR ±1°	CHECKED Vivian Wen	09/29/2017	UNIT mm		SCALE NA	SIZE A3	SHEET 2 OF 3	
UNLESS OTHERWISE SPECIFIED	APPROVED Lawrence Chan	09/29/2017	DWG TYPE CUST DWG		PROJECT CODE GT278		DVG No. RJMG16XXXXXX1XX	
			REVISIONS		REV. EX1			

**Amphenol**®

Amphenol Corporation  
Amphenol Taiwan Corporation

This document is the property of Amphenol Corporation and is delivered on the express condition that it is not to be disclosed, reproduced or used, in whole or in part, for manufacture or sale by anyone other than Amphenol Corporation without its prior consent, and that no right is granted to disclose or to use any information in this document.

The marking on this product doesn't contain environmental hazardous materials per Material Specification SS-00259 for Sony GP compliant or per directive 2011/65/EU for RoHS compliant.

MFG CODE:

# CUSTOMER DRAWING

REVISIONS				
SYM	ECN No.	DESCRIPTION	DATE	APPROVED
C	NE-13016	ADD THE SCHEMATIC FOR ALL OPTIONS	01/24/2013	Roger Tsai
D	NE-14155	ADD LED OPTIONS	01/29/2015	Roger Tsai
EX1	/	UPDATE LED OPTIONS D/C CODE	09/29/2017	Lawrence Chan

TURN RATIO 1:1±5%

PARAMETER	TYPE	LIMITS (MAX. OR MIN.)	FREQUENCY RANGE/TEST CONDITIONS
INSERTION LOSS (RX/TX)	-0.8dB TYP.	-1.0dB MAX.	1-100 MHz
RETURN LOSS (RX/TX)	-22dB TYP. -18dB TYP. -12dB TYP.	-18dB MIN. -18+20log(f/30)dB MIN. -12dB MIN.	1-30 MHz 30-60 MHz 60-80 MHz
DC RESISTANCE	0.5 ohm MIN.	1.0 ohm MAX full 0.5 ohm MAX half	DC
CM-CM REJECTION	-40dB TYP.	-30dB MIN.	0-100MHz
CM-DM REJECTION	-40dB TYP.	-35dB MIN.	0-100MHz
CROSSTALK (PAIR TO PAIR)	-38dB TYP.	-35dB MIN.	0-100MHz
HIPOT (ISOLATION)	2.25KV/1.5KVrms.	2.25KV/1.5KVrms.	60S DC/AC
OCL	500uH TYP.	350uH MIN.	100KHz 8mV DC BIAS

LED PERFORMANCE:

PARAMETER	SINGLE COLOUR		BICOLOUR		UNITS
	GREEN	YELLOW	GREEN	ORANGE	
FORWARD CURRENT IF MAX	30	30	30		mA
REVERSE CURRENT IR MAX	10	10	10		uA
REVERSE VOLTAGE VR MAX	-5	-5	-5		V
T OPERATURE TOP	-40~+85	-40~+85	-40~+85		℃
T SOLDERING TURE TS	260+/-5	260+/-5	260+/-5		℃
POWER DISS. Pd	100	100	100		mW
PEAK WAVELENGTH	565	585	565	605	nM
FORWARD VOLTAGE TYP	2.5	2.1	2.2	2.0	V
FORWARD VOLTAGE MAX	2.9	2.6	2.6	2.6	V

MATERIALS:

INSULATOR: THERMOPLASTIC POLYESTER,NYLON  
COLOR: BLACK  
FLAMMABILITY RATING UL 94V-0

CONTACTS (RJ/MAG): PHOSPHOR BRONZE  
PLATING: SELECTIVE GOLD OVER MATING SURFACES.  
100 MICRONS TIN PLATING ON TAILS.

SHIELD: STAINLESS STEEL T=0.2MM .

DIMENSIONS MARKED WITH "\*" SHALL BE MEASURED.

MECHANICAL FEATURES:

SOLDERABILITY: MIL-STD-202,METHOD 208.

MATING/UNMATING FORCE:

RJ PORT :MATING/UNMATING 2.1Kg MAX  
RETENTION FORCE FOR RJ PORT: 5Kg FOR 1 MINUTE  
MEET FCC PART 68.500 REQUIREMENTS.

Environmental

OPERATING TEMPERATURE:0°C TO +70°C.

STORAGE TEMPERATURE:-40°C TO +85°C.

SOLDERING TEMPERATURE: 260°C FOR 10 SECONDS

ALTITUDE OPERATING RANGE: SEA LEVEL TO 3000m

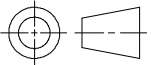
Humidity: per MIL-STD-1344A,method 1002.1, test condition B

Thermal Shock: per MIL-STD-1344A,method 1003.1, test condition A

Vibration: per MIL-STD-1344A,method 2005.1, test condition J

Mechanical Shock: per MIL-STD-1344A,method 2004.1, test condition C

Salt Spray: 24 hours per MIL-STD-1344A,method 1001.1, test condition B

TOLERANCE	APPROVALS	DATE	TITLE		Amphenol®				
X. X.X ±0.35 X.XX ±0.25 X.XXX ±0.15	DRAWN Arvin Ye	09/29/2017	SINGLE PORT RJmag CONNECTOR SHIELD, WITH R&C TERMINATION 10/100		Amphenol Corporation Amphenol Taiwan Corporation				
	CHECKED Vivian Wen	09/29/2017							
	APPROVED Lawrence Chan	09/29/2017							
ANGULAR ±1°	DWG TYPE CUST DWG	PROJECT CODE GT278		UNIT mm	SIZE A3	PART No. RJMG16XXXXXX1XX			
UNLESS OTHERWISE SPECIFIED			SCALE NA	SHEET 3 OF 3	DWG No. RJMG16XXXXXX1XX	REV. EX1			

## X-ON Electronics

Largest Supplier of Electrical and Electronic Components

*Click to view similar products for [Modular Connectors / Ethernet Connectors](#) category:*

*Click to view products by [Amphenol](#) manufacturer:*

Other Similar products are found below :

[RJE231881317T](#) [MP1010RX-1000](#) [MP44RX-1000](#) [GAX-3-66](#) [GAX-8-62](#) [93606-0253](#) [GD-A-44](#) [GDCX-PA-66-50](#) [GDCX-PN-64](#) [GDCX-PN-66](#) [GDCX-PN-66-50](#) [GDLX-A-66](#) [GDLX-A-88](#) [GDLX-N-66](#) [GDLX-S-88K](#) [GDTX-S-88-50](#) [GDX-PA-1010](#) [GLX-N-1010M-BLK](#) [GLX-N-44M](#) [GLX-S-88M-BLK](#) [GMX-N-1010](#) [GMX-S-1010](#) [GMX-S-66](#) [GMX-SMT2-N-1010](#) [GMX-SMT2-N-64-50](#) [GMX-SMT2-S6-88](#) [GMX-SMT4-N-88](#) [GPX-2-64](#) [GRT1-BT1-5](#) [GSGX-N-2-88](#) [GSX-NS2-88-3.05](#) [GSX-NS2-88-3.05-50](#) [GSX-NS-88-3.05-30](#) [GSX-NS-88-3.05-50](#) [GSX-NS-88-3.68](#) [1-1775629-2](#) [GWLX-S-88-GR](#) [GWLX-S9-88-YG](#) [1300500326](#) [1300500227](#) [1300530003](#) [1300570002](#) [1324640-4](#) [RJ11FTVC2G](#) [RJ11FTVC2N](#) [RJFTVX2SA1G](#) [132764-001](#) [1400000](#) [1413176](#) [1413235](#)