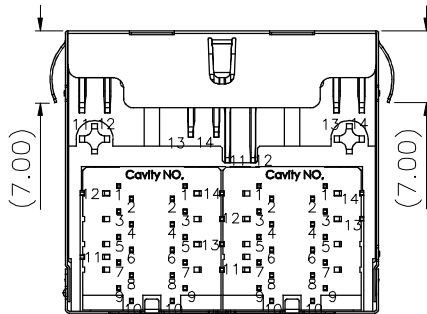
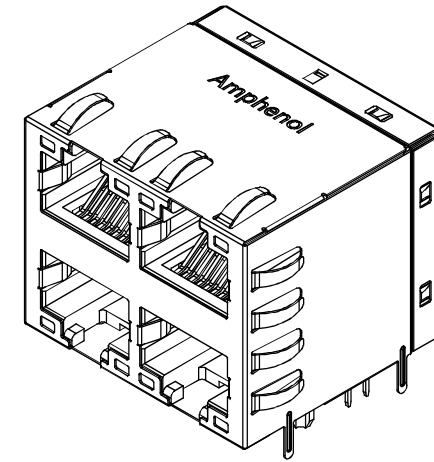
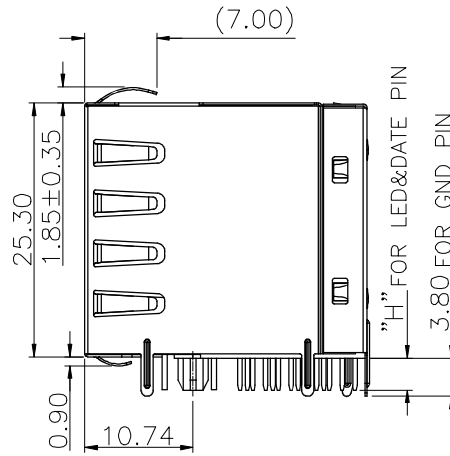
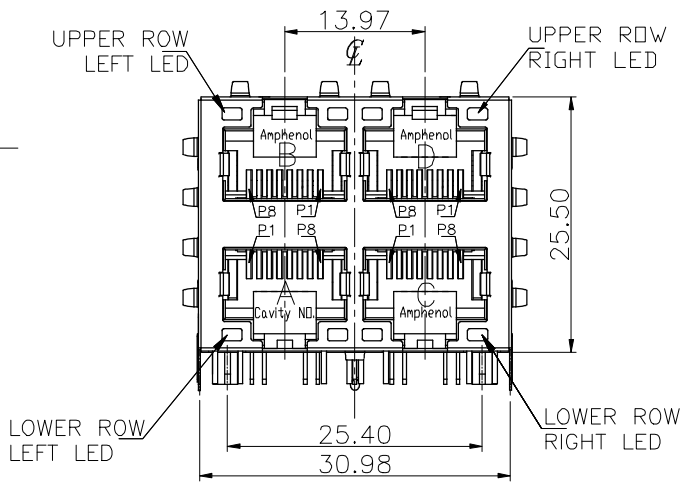
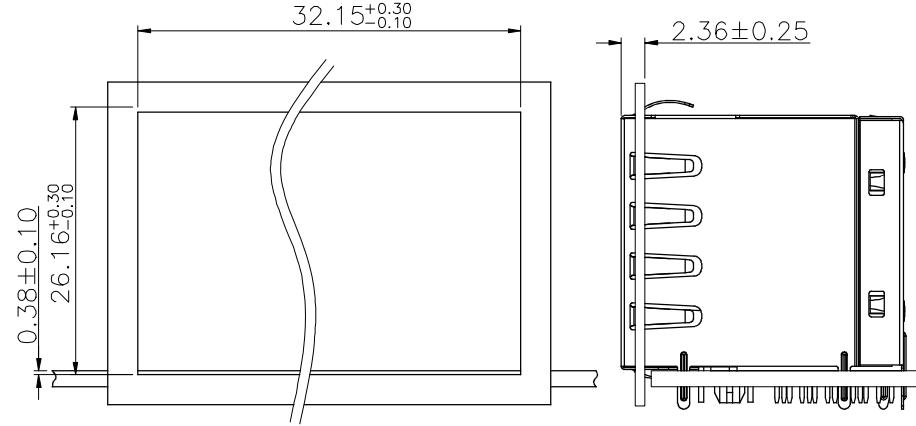
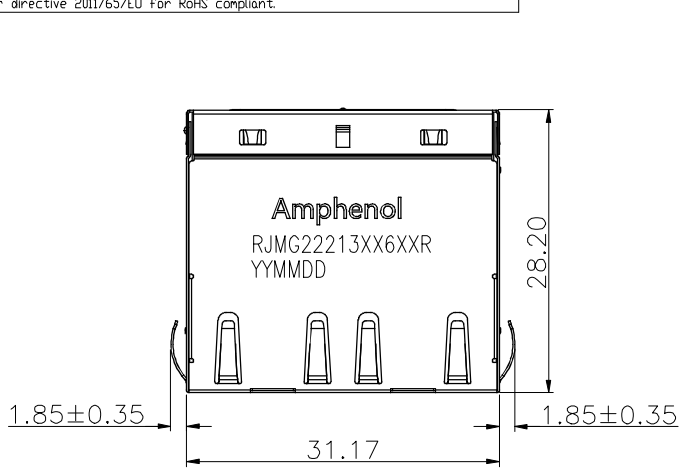


This document is the property of Amphenol Corporation and is delivered on the express condition that it is not to be disclosed, reproduced or used, in whole or in part, for manufacture or sale by anyone other than Amphenol Corporation without its prior consent, and that no right is granted to disclose or to use any information in this document.

The marking on this product doesn't contain environmental hazardous materials per Material Specification SS-00259 For Sony GP compliant or per directive 2011/65/EU for RoHS compliant.

CUSTOMER DRAWING

REVISIONS				
SYM	ECN No.	DESCRIPTION	DATE	APPROVED
A	NE-15124	Initial Release	10/21/2015	Roger Tsai



TOLERANCE	APPROVALS	DATE	TITLE		Amphenol®	
X. ±0.35	DRAWN Jophy Li	10/21/2015	RJMG222X SERIES 2X2 1000 Base-T SERIES with LED		Amphenol Corporation Amphenol Taiwan Corporation	
X.X ±0.25	CHECKED Vivian Wen	10/21/2015				
X.XXX ±0.15	APPROVED Roger Tsai	10/21/2015				
ANGULAR ±1°	DWG TYPE CUST DWG	PROJECT CODE GT502-B	UNIT mm	SIZE A3	PART No. RJMG22213XX6XXR	
UNLESS OTHERWISE SPECIFIED			SCALE NA	SHEET 1 OF 5	DWG No. RJMG22213XX6XXR	
					REV. A	

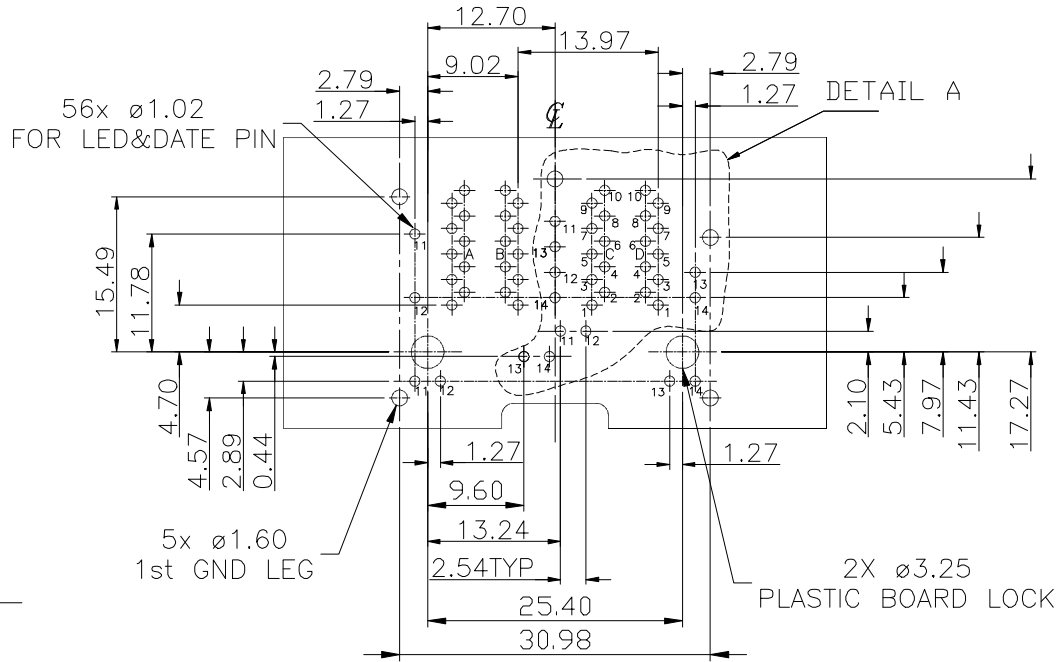
This document is the property of Amphenol Corporation and is delivered on the express condition that it is not to be disclosed, reproduced or used, in whole or in part, for manufacture or sale by anyone other than Amphenol Corporation without its prior consent, and that no right is granted to disclose or to use any information in this document.

The marking on this product doesn't contain environmental hazardous materials per Material Specification SS-00259 For Sony GP compliant or per directive 2011/65/EU for RoHS compliant.

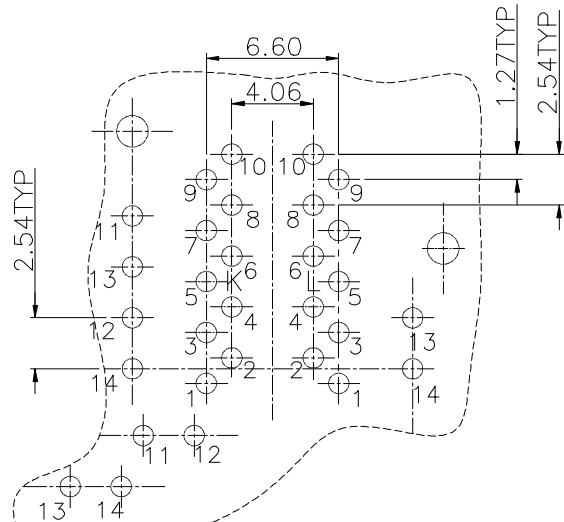
CUSTOMER DRAWING

REVISIONS				
SYM	ECN No.	DESCRIPTION	DATE	APPROVED
A	NE-15124	Initial Release	10/21/2015	Roger Tsai

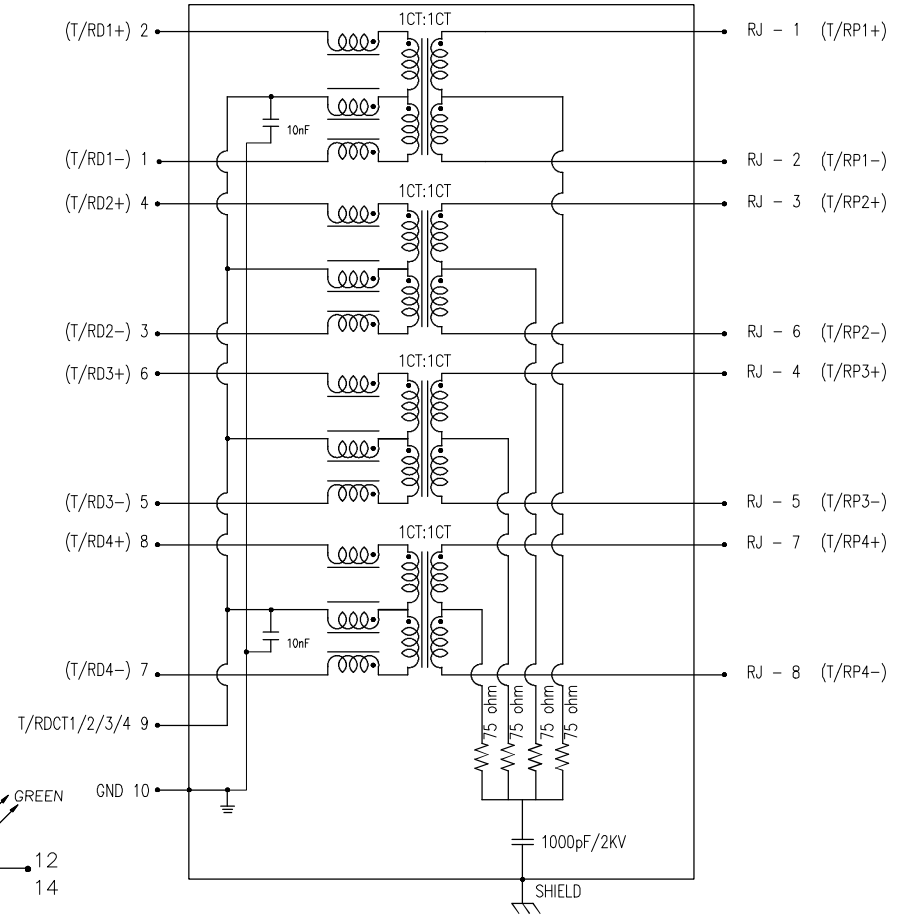
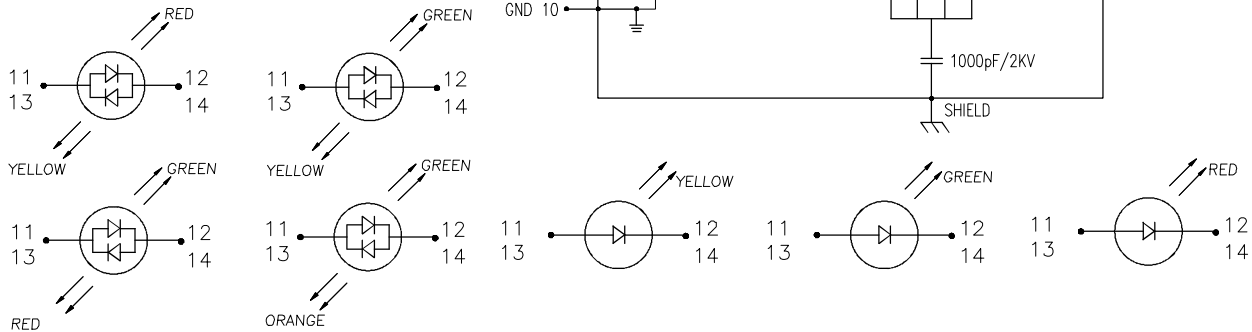
SCHEMATIC DRAWING TYPE 2



RECOMMENDED PCB LAYOUT COMPONENT SIDE
ALL DIMENSION TOLERANCE ARE ± 0.08 UNLESS OTHERWISE SPECIFIED



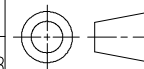
DETAIL A
SCALE 2:1



TOLERANCE	APPROVALS	DATE	TITLE		UNIT		SIZE		PART No.	
X. ± 0.35	DRAWN Jophy Li	10/21/2015	RJMG222X SERIES 2X2		mm	A3	RJMGT22213XX6XXR		REV. A	
X.XX ± 0.25										
X.XXX ± 0.15	CHECKED Vivian Wen	10/21/2015	1000 Base-T SERIES		SCALE NA	SHEET 2 OF 5	RJMGT22213XX6XXR		DWG No. RJMGT22213XX6XXR	
ANGULAR $\pm 1^\circ$	APPROVED Roger Tsai	10/21/2015	with LED							
UNLESS OTHERWISE SPECIFIED	DWG TYPE CUST DWG	PROJECT CODE GT502-B								

Amphenol®

Amphenol Corporation
Amphenol Taiwan Corporation



UNIT mm
SCALE NA

SIZE A3
SHEET 2 OF 5

PART No. RJMGT22213XX6XXR
DWG No. RJMGT22213XX6XXR

This document is the property of Amphenol Corporation and is delivered on the express condition that it is not to be disclosed, reproduced or used, in whole or in part, for manufacture or sale by anyone other than Amphenol Corporation without its prior consent, and that no right is granted to disclose or to use any information in this document.

The marking on this product doesn't contain environmental hazardous materials per Material Specification SS-00259 For Sony GP compliant or per directive 2011/65/EU for RoHS compliant.

CUSTOMER DRAWING

REVISIONS				
SYM	ECN No.	DESCRIPTION	DATE	APPROVED
A	NE-15124	Initial Release	10/21/2015	Roger Tsai Roger Tsai

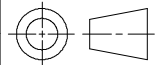
ELECTRICAL SPECIFICATION(@25° C)

LED PERFORMANCE

PARAMETER	SINGLE COLOUR		BICOLOUR		UNITS
	YELLOW	GREEN	GREEN	ORANGE	
FORWARD CURRENT IF MAX	30		30		mA
REVERSE CURRENT IR MAX	10		10		uA
REVERSE VOLTAGE VR MAX	-5		-5		V
T OPERATURE TOP	-20~+80		-20~+80		°C
T SOLDERINGTURE TS	260+/-5		260+/-5		°C
POWER DISS. Pd	75		75		mW
INTENSITY IV MIN	28		18	45	MCD
PEAK WAVELENTH	585	574	574	611	nM
FORWARD VOLTAGE TYP	2.1		2.0	2.0	V
FORWARD VOLTAGE MAX	2.4		2.4	2.4	V

CONNECTOR PERFORMANCE

PARAMETER	LIMITS (MAX. OR MIN.)	FREQUENCY RANGE/TEST CONDITIONS
INSERTION LOSS (RX/TX)	-1.0dB MAX.	0.1-100 MHz
	-1.2dB MAX.	100-125 MHz
RETURN LOSS (RX/TX)	-18dB MIN.	1-30 MHz
	-16dB MIN.	30-60 MHz
	-12dB MIN.	60-80 MHz
	-10dB MIN.	80-100 MHz
CM-CM REJECTION	-30dB MIN.	1MHz-100MHz
CROSSTALK ISOLATION(RX/TX)	-30dB MIN.	1MHz-100MHz
HIPOT (ISOLATION)	1.5kVrms MIN.	60S
OCL	350uH MIN.	100KHz 100mV 8mA
TURN RATIO	1:1±5%	

TOLERANCE	APPROVALS	DATE	TITLE		RJMG222X SERIES 2X2			
X. ±0.35	DRAWN Jophy Li	10/21/2015	1000 Base-T SERIES		Amphenol®			
X.XX ±0.25	CHECKED Vivian Wen	10/21/2015	with LED		Amphenol Corporation			
X.XXX ±0.15	APPROVED Roger Tsai	10/21/2015			Amphenol Taiwan Corporation			
ANGULAR ±1°	DWG TYPE CUST DWG	PROJECT CODE GT502-B		UNIT mm	SIZE A3	PART No. RJMG22213XX6XXR		
UNLESS OTHERWISE SPECIFIED				SCALE NA	SHEET 3 OF 5	DWG No. RJMG22213XX6XXR		REV. A

This document is the property of Amphenol Corporation and is delivered on the express condition that it is not to be disclosed, reproduced or used, in whole or in part, for manufacture or sale by anyone other than Amphenol Corporation without its prior consent, and that no right is granted to disclose or to use any information in this document.

The marking on this product doesn't contain environmental hazardous materials per Material Specification SS-00259 For Sony GP compliant or per directive 2011/65/EU for RoHS compliant.

CUSTOMER DRAWING

REVISIONS				
SYM	ECN No.	DESCRIPTION	DATE	APPROVED
A	NE-15124	Initial Release	10/21/2015	Roger Tsai

RJMG22213 X X 6 X X R

RIGHT LED CODE

LEFT LED CODE

- 0: No LED's Blocked Hole
- 1: Green
- 2: Yellow
- 3: Red
- 4: Bi-color Green/ Yellow
- 5: Bi-color Red/Green
- 6: Bi-color Green/Orange
- 7: Bi-color Red/Yellow

Plating and Packaging:

- C: gold flash, Stainless steel shield, tray
- D: gold 15 μ ", Stainless steel shield, tray
- E: gold 30 μ ", Stainless steel shield, tray
- F: gold 50 μ ", Stainless steel shield, tray

THE "H" FOR LED&DATE PIN LENGTH OPTION

- L: H=2.54mm
- M: H=3.05mm
- N: H=3.18mm
- P: H=3.81mm
- Q: H=4.10mm

MATERIALS:

1. Terminal Parts:

- 1.1. RJ Output Terminal : Phosphor Bronze, Thickness=0.30mm
Finish: Selective gold plating on contact area
- 1.2. RJ input Terminal : Brass, Thickness=0.35mm
Finish: 100 μ " min. tin over 50~100 μ " Nickel.

2. Plastic Parts:

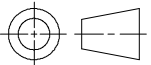
High temperature Thermoplastic, Black, UL94V-0.

3. Shell Parts:

Shell: Stainless, Thickness=0.20mm,

OTHERS:

- 1. Operating Temperature : 0°C TO +70°C
- 2. Storage Temperature : -40°C TO +85°C
- 3. JACK CAVITY CONFORMS TO FCC RULES AND REGULATIONS PART 68 , SUBPART F
Grounding Leg : Pre-soldering
- 4. Product specification refer to PS-R933
- 5. TEST summary refer to: TS-R933

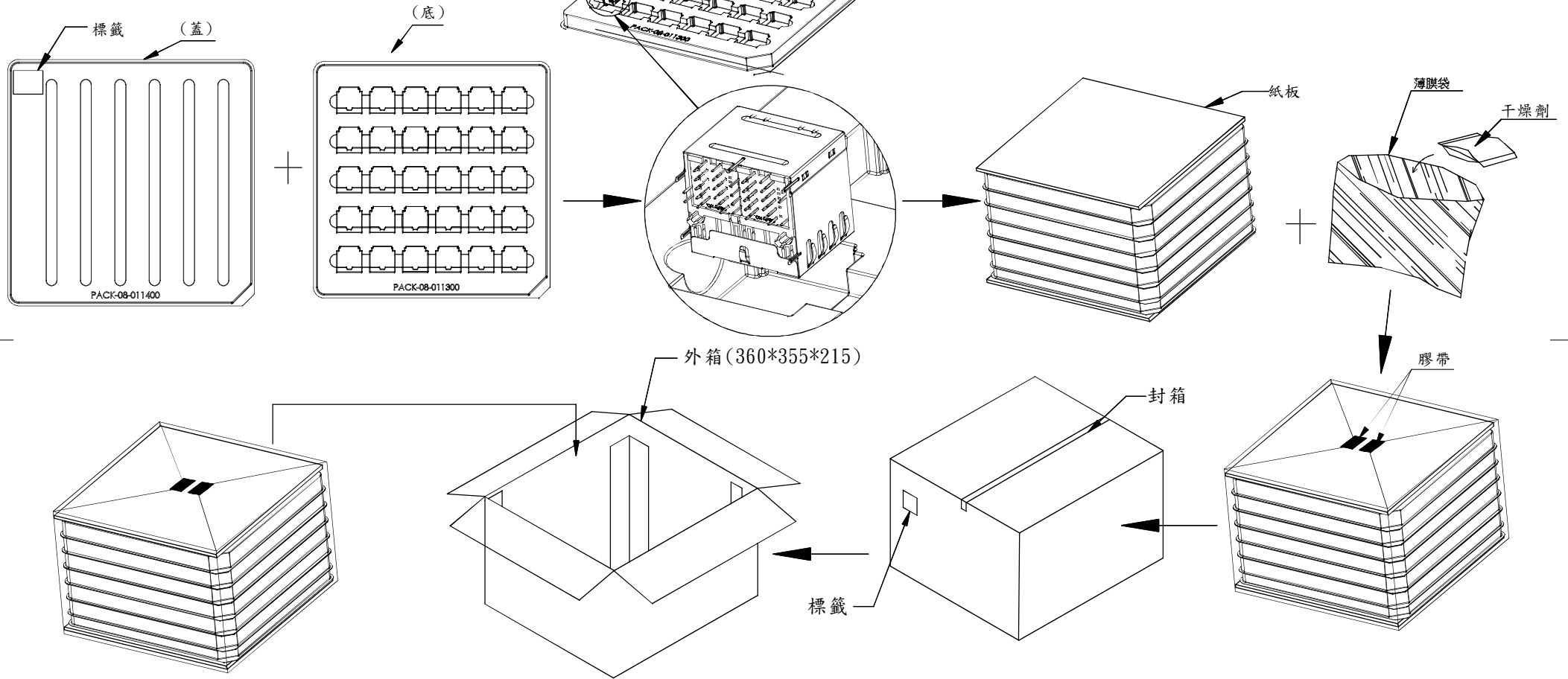
TOLERANCE	APPROVALS	DATE	TITLE		PART No.	
X. X.X ±0.35 X.XX ±0.25 X.XXX ±0.15	DRAWN Jophy Li	10/21/2015	RJMG222X SERIES 2X2		Amphenol® Amphenol Corporation Amphenol Taiwan Corporation	
ANGULAR ±1°	CHECKED Vivian Wen	10/21/2015	1000 Base-T SERIES with LED		UNIT mm	SIZE A3
UNLESS OTHERWISE SPECIFIED	APPROVED Roger Tsai	10/21/2015			SHEET 4 OF 5	DWG No. RJMG22213XX6XXR
	DWG TYPE CUST DWG	PROJECT CODE GT502-B	SCALE NA		REV. A	

This document is the property of Amphenol Corporation and is delivered on the express condition that it is not to be disclosed, reproduced or used, in whole or in part, for manufacture or sale by anyone other than Amphenol Corporation without its prior consent, and that no right is granted to disclose or to use any information in this document.

The marking on this product doesn't contain environmental hazardous materials per Material Specification SS-00259 For Sony GP compliant or per directive 2011/65/EU for RoHS compliant.

CUSTOMER DRAWING

REVISIONS				
SYM	ECN No.	DESCRIPTION	DATE	APPROVED
A	NE-15124	Initial Release	10/21/2015	Roger Tsai



TOLERANCE		APPROVALS		DATE	TITLE			Amphenol®					
X.		DRAWN	Jophy Li	10/21/2015	RJMG222X SERIES 2X2 1000 Base-T SERIES with LED			Amphenol Corporation Amphenol Taiwan Corporation					
X.X	±0.35	CHECKED	Vivian Wen	10/21/2015									
X.XX	±0.25	APPROVED	Roger Tsai	10/21/2015									
X.XXX	±0.15						UNIT	mm	SIZE	A3	PART No.	RJMG22213XX6XXR	
ANGULAR	±1°	DWG TYPE	CUST DWG	PROJECT CODE	GT502-B		SCALE	NA	SHEET	5 OF 5	DWG No.	RJMG22213XX6XXR	
UNLESS OTHERWISE SPECIFIED												REV.	A

X-ON Electronics

Largest Supplier of Electrical and Electronic Components

Click to view similar products for [Modular Connectors](#) / [Ethernet Connectors](#) category:

Click to view products by [Amphenol](#) manufacturer:

Other Similar products are found below :

[8949-H88/06BLKA/SN](#) [74441-0010/BKN](#) [MP1010RX-1000](#) [MP44RX-1000](#) [PHJ-4P4C-1-V-4](#) [PHP-6P6C-5](#) [GAX-3-66](#) [GAX-8-62](#) [GDCX-PA-66-50](#) [GDCX-PN-64](#) [GDCX-PN-66](#) [GDCX-PN-66-50](#) [GDLX-A-66](#) [GDLX-N-66](#) [GDLX-S-66](#) [GDLX-S-88K](#) [GDTX-S-88-50](#) [GDX-PA-1010](#) [GLX-N-1010M-BLK](#) [GLX-S-88M-BLK](#) [GMX-N-1010](#) [GMX-S-1010](#) [GMX-S-66](#) [GMX-SMT4-N-88](#) [GPX-2-64](#) [GSGX-N-2-88](#) [GSGX-N-4-88](#) [GSX-NS2-88-3.05-50](#) [PT-108A-8C-UL](#) [PT-J951-8C](#) [PTS-J531-8CS-50UL](#) [1-1775629-2](#) [A-2014-0-4](#) [GWLX-S-88-GR](#) [GWLX-S9-88-YG](#) [DC-1021-8-WH-6](#) [1300530003](#) [1324640-4](#) [RJ11FTVC2G](#) [RJ11FTVC2N](#) [RJFTVX2SA1G](#) [132764-001](#) [1413235](#) [MP88X-1000](#) [MPS88RX-5000](#) [MRJR-5481-0F2](#) [E5288-S000K3-L](#) [E5908-15A242-L](#) [155302-001](#) [AX100653](#)