

This document is the property of Amphenol Corporation and is delivered on the express condition that is not to be disclosed, reproduced or used, in whole or in part, for manufacture or sale by anyone other than Amphenol Corporation without its prior consent, and that no right is granted to disclose or to use any information in this document.

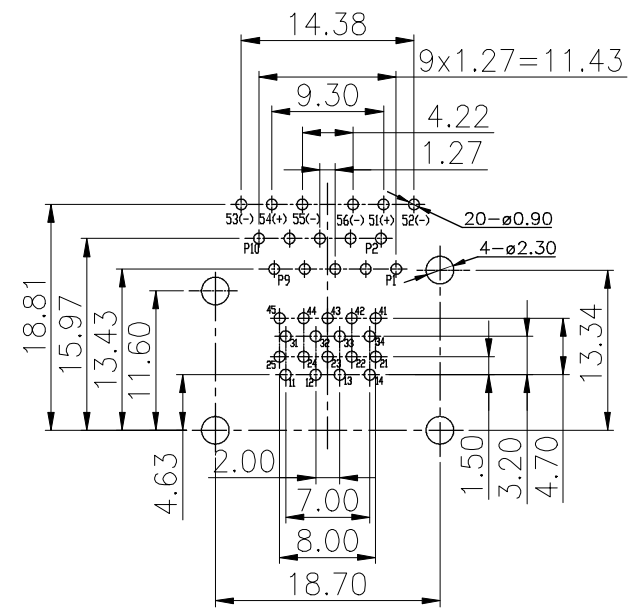
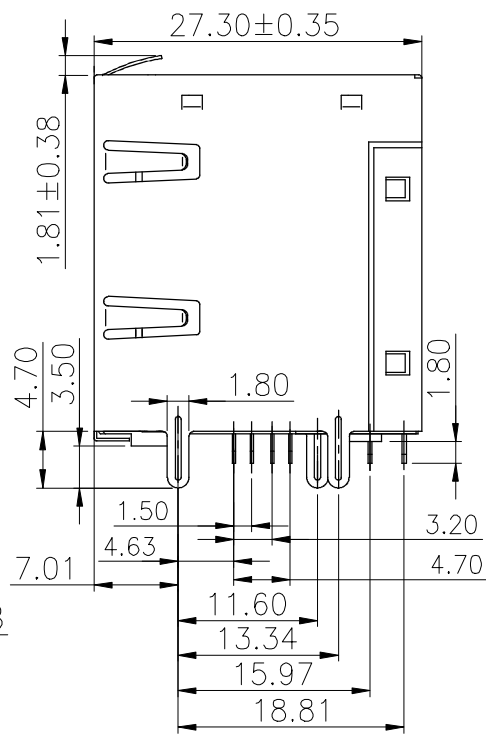
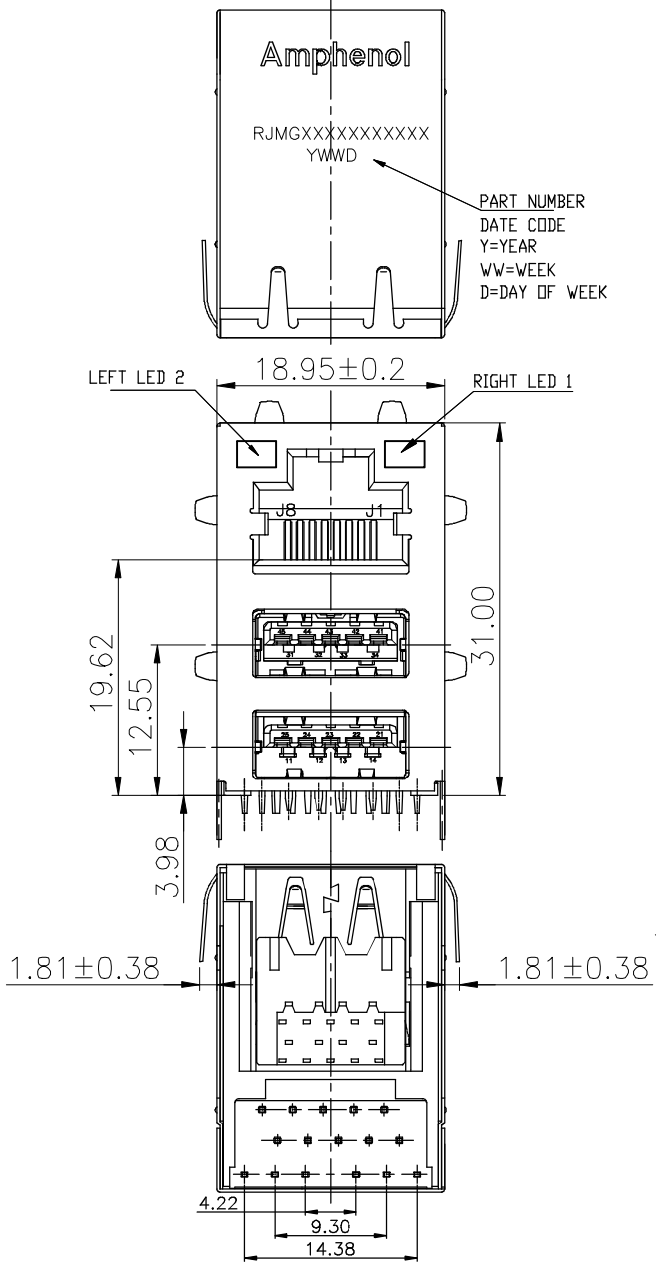
The marking on this product doesn't contain environmental hazardous materials per Material Specification SS-00259 for Sony GP compliant or per directive 2011/65/EU for RoHS compliant.

CUSTOMER DRAWING

REVISIONS				
SYM	ECN No.	DESCRIPTION	DATE	APPROVED
AX1		NEW RELEASE	07/26/2016	Roger Tsai
AX2		ADD THE EMI FINGERS DIMENTION	08/22/2016	Roger Tsai

NOTES:

- Material:
 - HOUSING:LCP,UL94V-0,COLOR:BLACK;
 - SHELL:Stainless steel;
 - RJ45 TERMINAL:PHOSPHOR BRONZE T=0.3mm; PLATING: 50u" NICKEL Min. UNDER PLATED; ALL OVER 100u" TIN Min. PLATED ALL OVER SELECT GOLD PLATED ON CONTACT AREA;
 - OTHERS TERMINAL:BRASS T=0.30mm PLATING: 50u" NICKEL Min. UNDER PLATED ALL OVER 100u" TIN Min. PLATED ALL OVER;



RECOMMENDED PCB LAYOUT
TOL. ARE ±0.05 SCALE 2:1
(TOP VIEW)

TOLERANCE	APPROVALS	DATE	TITLE		Amphenol®	
X. ±0.35	DRAWN Jophy Li	08/22/2016	RJMag 1000 Base-T RJ Over Dual USB 3.0 With Led Option		Amphenol Corporation Amphenol Taiwan Corporation	
X.X ±0.25	CHECKED Vivian Wen	08/22/2016				
X.XX ±0.15	APPROVED Roger Tsai	08/22/2016				
ANGULAR ±1°	DWG TYPE CUST DWG	PROJECT CODE RJMG	UNIT mm	SIZE A3	PART No. RJMG24110XX70XR-A	
UNLESS OTHERWISE SPECIFIED			SCALE NA	SHEET 1 OF 4	DWG No. RJMG24110XX70XR-A	REV. AX2

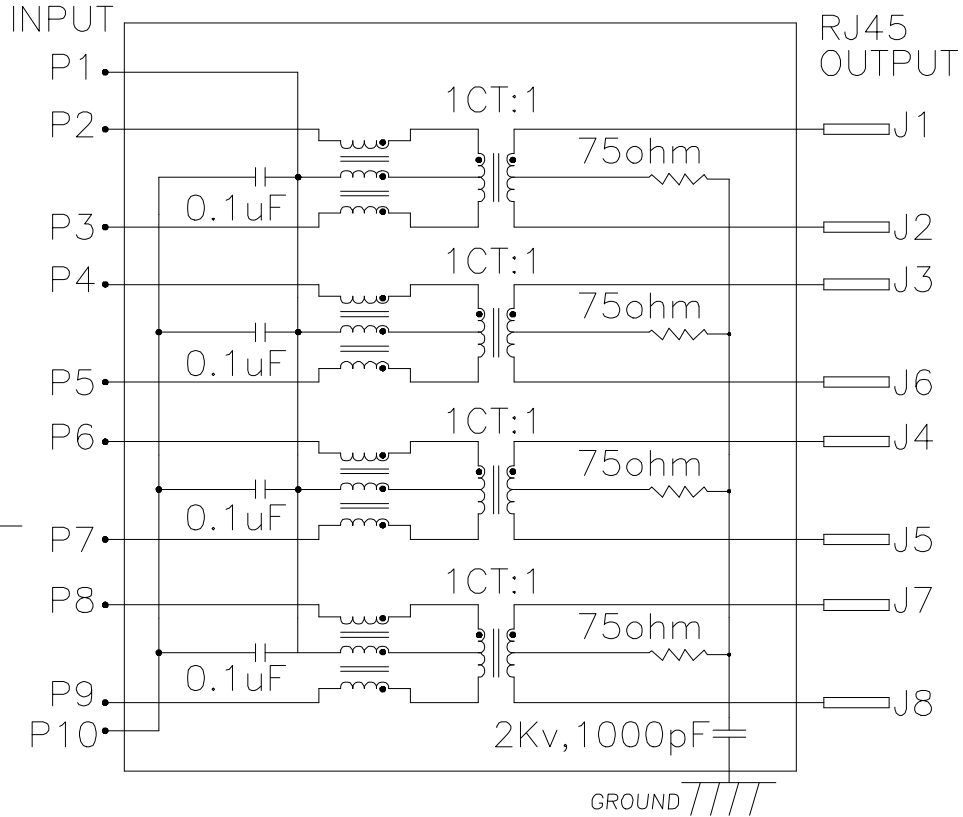
This document is the property of Amphenol Corporation and is delivered on the express condition that is not to be disclosed, reproduced or used, in whole or in part, for manufacture or sale by anyone other than Amphenol Corporation without its prior consent, and that no right is granted to disclose or to use any information in this document.

The marking on this product doesn't contain environmental hazardous materials per Material Specification SS-00259 for Sony GP compliant or per directive 2011/65/EU for RoHS compliant.

CUSTOMER DRAWING

REVISIONS				
SYM	ECN No.	DESCRIPTION	DATE	APPROVED
AX1		NEW RELEASE	07/26/2016	Roger Tsai
AX2		ADD THE EMI FINGERS DIMENTION	08/22/2016	Roger Tsai

ELECTRONICAL SCHEMATIC



USB 3.0 Pin ASSIGNMENTS

Pin NUMBER	SIGNAL NAME	Pin NUMBER	SIGNAL NAME
11&31	VBUS	21&41	SSRX-
12&32	D-	22&42	SSRX+
13&33	D+	23&43	GND
14&34	GND	24&44	SSTX-
SHELL	SHIELD	25&45	SSTX+

NOTE:

- INDUCTANCE 350uH MIN 100KHz 100mV 8mA DC
- LED CONFIGURATION

STANDARD LED	WAVELENGTH(λ)	V/ IF=20mA	
		MAX.	Typ.
YELLOW	580~595nm	2.5 V	2.1 V
ORANGE	602~610nm	2.5 V	2.1 V
GREEN	560~580nm	2.5 V	2.1 V

TOLERANCE	APPROVALS	DATE	TITLE		Amphenol [®]				
X. X.X ±0.35 X.XX ±0.25 X.XXX ±0.15	DRAWN Jophy Li	08/22/2016	RJmag 1000 Base-T RJ Over Dual USB 3.0 With Led Option		Amphenol Corporation Amphenol Taiwan Corporation				
ANGULAR ±1°	CHECKED Vivian Wen	08/22/2016							
UNLESS OTHERWISE SPECIFIED	APPROVED Roger Tsai	08/22/2016							
	DWG TYPE CUST DWG	PROJECT CODE RJMG	UNIT mm	SCALE NA	SIZE A3	SHEET 2 OF 4	PART No. RJMG24110XX70XR-A	DWG No. RJMG24110XX70XR-A	REV. AX2

This document is the property of Amphenol Corporation and is delivered on the express condition that is not to be disclosed, reproduced or used, in whole or in part, for manufacture or sale by anyone other than Amphenol Corporation without its prior consent, and that no right is granted to disclose or to use any information in this document.

The marking on this product doesn't contain environmental hazardous materials per Material Specification SS-00259 for Sony GP compliant or per directive 2011/65/EU for RoHS compliant.

CUSTOMER DRAWING

REVISIONS				
SYM	ECN No.	DESCRIPTION	DATE	APPROVED
AX1		NEW RELEASE	07/26/2016	Roger Tsai
AX2		ADD THE EMI FINGERS DIMENTION	08/22/2016	Roger Tsai

RJMG24110XX70XR-A

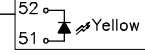
LED1 RIGHT SIDE

0- No LED (Blocked Hole)

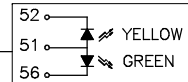
1- Green



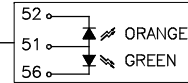
2- Yellow



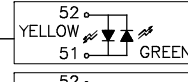
4- Bi-color Green/Yellow, 3 Leads



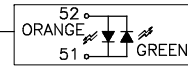
6- Bi-color Green/Orange, 3 Leads



7- Bi-color Green/Yellow, 2 Leads



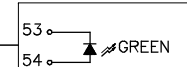
8- Bi-color Green/Orange, 2 Leads



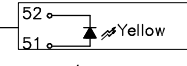
LED2 LEFT SIDE

0- No LED (Blocked Hole)

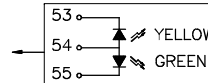
1- Green



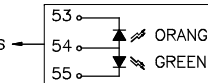
2- Yellow



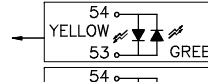
4- Bi-color Green/Yellow, 3 Leads



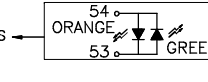
6- Bi-color Green/Orange, 3 Leads



7- Bi-color Green/Yellow, 2 Leads



8- Bi-color Green/Orange, 2 Leads



OPTIONS:

- C- Gold Flash, Stainless steel shield, Tray
- D- Gold Plating, 15μ", Stainless steel shield, Tray
- E- Gold Plating, 30μ", Stainless steel shield, Tray
- F- Gold Plating, 50μ", Stainless steel shield, Tray

TRANSFORMER ELECTRICAL SPECIFICATIONS AT 25°

TURNS RATIO	DATA RATE (MHz)	INSERTION LOSS (dB Min.)					RETURN LOSS Load 100±15Ω (dB Max.)				CROSS TALK (dB MAX.)			DM-CM (dB MAX.)	CM-CM (dB MAX.)
		0.1-0.999 MHz	1-60 MHz	60.1-80 MHz	80.1-100 MHz	100.1-125 MHz	1-30 MHz	30-60 MHz	60-80 MHz	80-100 MHz	1-30 MHz	30-60 MHz	60-100 MHz	1-100 MHz	1-100 MHz
1CT:1CT	10/100/1000	-1	-0.6	-0.8	-1.0	-1.2	-18	-16	-12	-10	-40	-35	-30	-35	-30

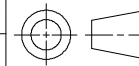
NOTES:

- 1 Inductance @100KHz/0.1V 350uH Min 8mA DC bias.
- 2 Hi-Pot Test:
 P2-P3 TO J1-J2 2250VDC OR 1500VAD,1mA 60sec.
 P4-P5 TO J3-J6 2250VDC OR 1500VAD,1mA 60sec.
 P6-P7 TO J4-J5 2250VDC OR 1500VAD,1mA 60sec.
 P8-P9 TO J7-J8 2250VDC OR 1500VAD,1mA 60sec.
- 3 OPERATING TEMPERATURE:0°C~+70°C

TOLERANCE	APPROVALS	DATE	TITLE		UNIT		SIZE	PART No.
X. ±0.35	DRAWN Jophy Li	08/22/2016	RJmag 1000 Base-T RJ Over Dual USB 3.0 With Led Option		mm		A3	RJMG24110XX70XR-A
X.XX ±0.25	CHECKED Vivian Wen	08/22/2016			SCALE NA		SHEET 3 OF 4	DWG No. RJMG24110XX70XR-A
X.XXX ±0.15	APPROVED Roger Tsai	08/22/2016			PROJECT CODE RJMG		REV. AX2	
ANGULAR ±1°	DWG TYPE CUST DWG							
UNLESS OTHERWISE SPECIFIED								

Amphenol®

Amphenol Corporation
Amphenol Taiwan Corporation



X-ON Electronics

Largest Supplier of Electrical and Electronic Components

Click to view similar products for [Modular Connectors](#) / [Ethernet Connectors](#) category:

Click to view products by [Amphenol](#) manufacturer:

Other Similar products are found below :

[8949-H88/06BLKA/SN](#) [74441-0010/BKN](#) [MP1010RX-1000](#) [MP44RX-1000](#) [PHJ-4P4C-1-V-4](#) [PHP-6P6C-5](#) [GAX-3-66](#) [GAX-8-62](#) [GDCX-PA-66-50](#) [GDCX-PN-64](#) [GDCX-PN-66](#) [GDCX-PN-66-50](#) [GDLX-A-66](#) [GDLX-N-66](#) [GDLX-S-66](#) [GDLX-S-88K](#) [GDTX-S-88-50](#) [GDX-PA-1010](#) [GLX-N-1010M-BLK](#) [GLX-S-88M-BLK](#) [GMX-N-1010](#) [GMX-S-1010](#) [GMX-S-66](#) [GMX-SMT4-N-88](#) [GPX-2-64](#) [GSGX-N-2-88](#) [GSGX-N-4-88](#) [GSX-NS2-88-3.05-50](#) [PT-108A-8C-UL](#) [PT-J951-8C](#) [PTS-J531-8CS-50UL](#) [1-1775629-2](#) [A-2014-0-4](#) [GWLX-S-88-GR](#) [GWLX-S9-88-YG](#) [DC-1021-8-WH-6](#) [1300530003](#) [1324640-4](#) [RJ11FTVC2G](#) [RJ11FTVC2N](#) [RJFTVX2SA1G](#) [132764-001](#) [1413235](#) [MP88X-1000](#) [MPS88RX-5000](#) [MRJR-5481-0F2](#) [E5288-S000K3-L](#) [E5908-15A242-L](#) [155302-001](#) [AX100653](#)