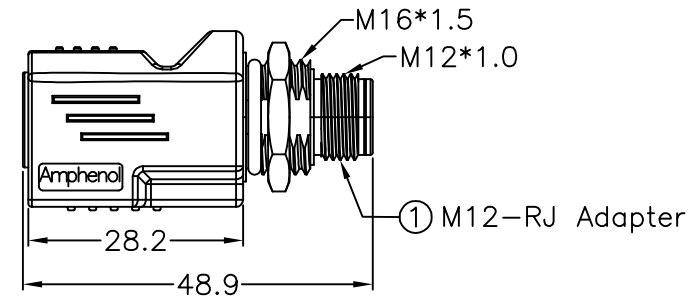
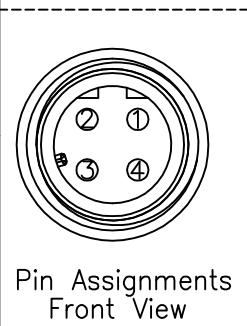
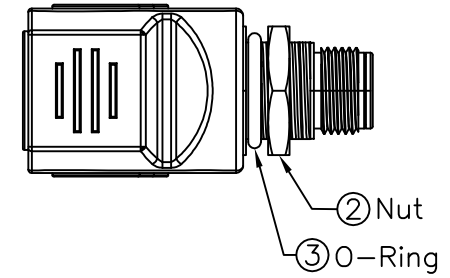
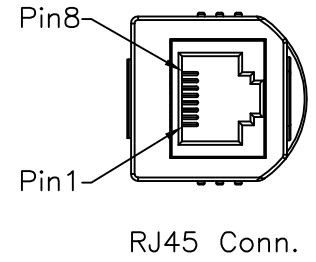
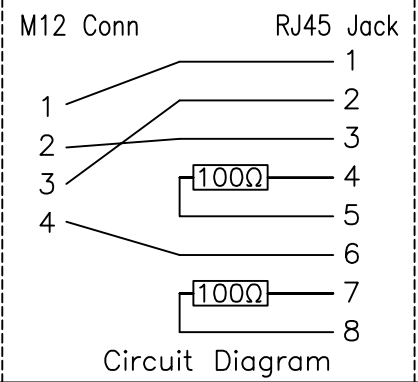
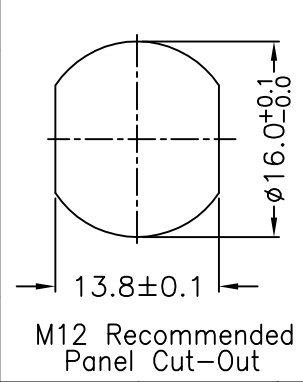


REV. A	ECN NO. Initial Release	DATE 2013/01/17	SIGN Lu Di	DESCRIPTION Change Rev.01 to Rev.A

THIS DOCUMENT IS SUBJECT TO CHANGE WITHOUT NOTICE. IT IS CONFIDENTIAL AND A PROPERTY OF Amphenol LTW. DISCLOSURE TO THIRD PARTY HAS TO BE AUTHORIZED BY Amphenol LTW.



- Note:
- * Ⓞ Important Dimension
 - * Waterproof Rate: IP65(MOLDING)
 - * Waterproof Rate: IP68(M12) (Under Water 24 hours)
 - * Pin: Copper Alloy, Gold Plated
 - * Nut: Zinc Alloy, Nickel Plated
 - * Shield: Copper Alloy, Nickel Plated
 - * O-Ring: Viton, Black.
 - * Jack: PBT, Black.
 - * Housing: Nylon+GF, Black.
 - * Panel Thickness Max: 5.0mm



UNIT:mm		TITLE Adapter M12 To RJ, Straight	Amphenol LTW 安費諾亮泰企業股份有限公司		ITEM NO RJS-12D04FM-LS8001	DRAWN BY Lu Di	DATE 2013/01/17
TOLERANCE .X ±0.25 .XX ±0.1 .XXX ±0.05 ANGLES ±1°	SCALE Free	SHEET 1 OF 2			DWG NO RJS-12D04FM-LS8001	CHECKED BY Mafei	DATE 2013/01/17
REV. A	SIZE A4	QC : Inspection Item			CUSTOMER ALTW	APPROVED BY Victor	DATE 2013/01/17

THIS DOCUMENT IS SUBJECT TO CHANGE WITHOUT NOTICE. IT IS CONFIDENTIAL AND A PROPERTY OF Amphenol LTW. DISCLOSURE TO THIRD PARTY HAS TO BE AUTHORIZED BY Amphenol LTW.

1 2 3 4 5 6 7 8

F

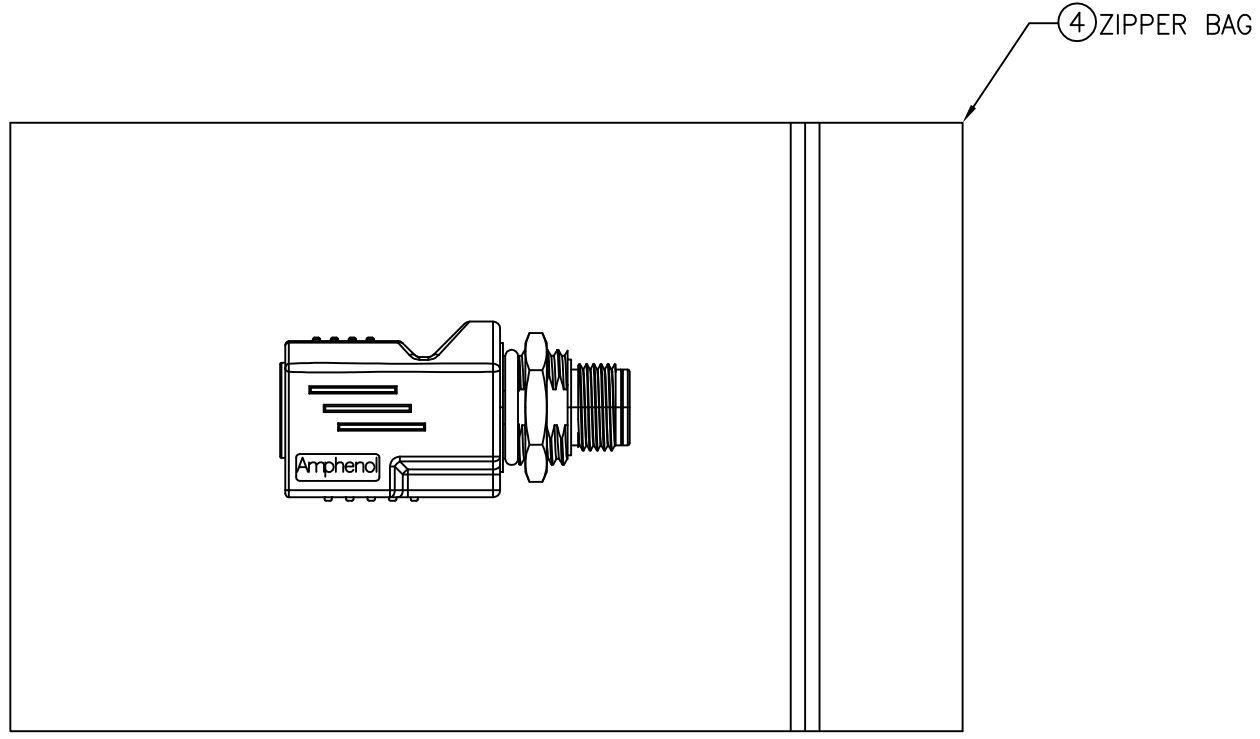
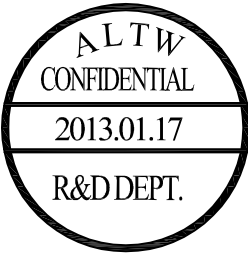
E

D

C

B

A



* 1 Product With 1 Zipper Bag

UNIT:mm 	TITLE Adapter M12 To RJ, Straight			Amphenol LTW 安費諾亮泰企業股份有限公司	ITEM NO RJS-12D04FM-LS8001	DRAWN BY Lu Di	DATE 2013/01/17
	TOLERANCE .X ±0.25 .XX ±0.1 .XXX ±0.05 ANGLES ±1°	SCALE Free	SHEET 2 OF 2		DWG NO RJS-12D04FM-LS8001	CHECKED BY Mafei	DATE 2013/01/17
	REV. A	SIZE A4	QC : Inspection Item	CUSTOMER ALTW	APPROVED BY Victor	DATE 2013/01/17	

1 2 3 4 5 6 7 8

X-ON Electronics

Largest Supplier of Electrical and Electronic Components

Click to view similar products for [Modular Connectors](#) / [Ethernet Connectors](#) category:

Click to view products by [Amphenol](#) manufacturer:

Other Similar products are found below :

[8949-H88/06BLKA/SN](#) [74441-0010/BKN](#) [MP1010RX-1000](#) [MP44RX-1000](#) [PHJ-4P4C-1-V-4](#) [PHP-6P6C-5](#) [GAX-3-66](#) [GAX-8-62](#) [GDCX-PA-66-50](#) [GDCX-PN-64](#) [GDCX-PN-66](#) [GDCX-PN-66-50](#) [GDLX-A-66](#) [GDLX-N-66](#) [GDLX-S-66](#) [GDLX-S-88K](#) [GDTX-S-88-50](#) [GDX-PA-1010](#) [GLX-N-1010M-BLK](#) [GLX-S-88M-BLK](#) [GMX-N-1010](#) [GMX-S-1010](#) [GMX-S-66](#) [GMX-SMT4-N-88](#) [GPX-2-64](#) [GSGX-N-2-88](#) [GSGX-N-4-88](#) [GSX-NS2-88-3.05-50](#) [PT-108A-8C-UL](#) [PT-J951-8C](#) [PTS-J531-8CS-50UL](#) [1-1775629-2](#) [A-2014-0-4](#) [GWLX-S-88-GR](#) [GWLX-S9-88-YG](#) [DC-1021-8-WH-6](#) [1300530003](#) [1324640-4](#) [RJ11FTVC2G](#) [RJ11FTVC2N](#) [RJFTVX2SA1G](#) [132764-001](#) [1413235](#) [MP88X-1000](#) [MPS88RX-5000](#) [MRJR-5481-0F2](#) [E5288-S000K3-L](#) [E5908-15A242-L](#) [155302-001](#) [AX100653](#)