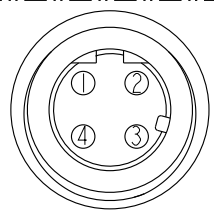
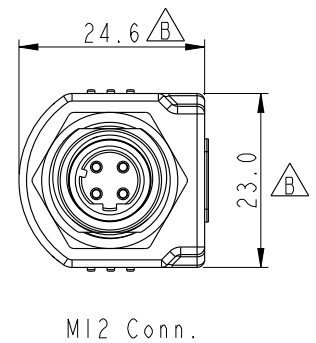
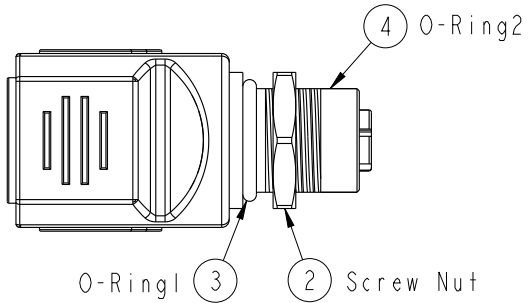
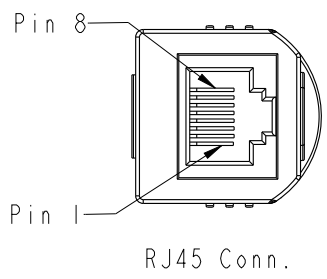
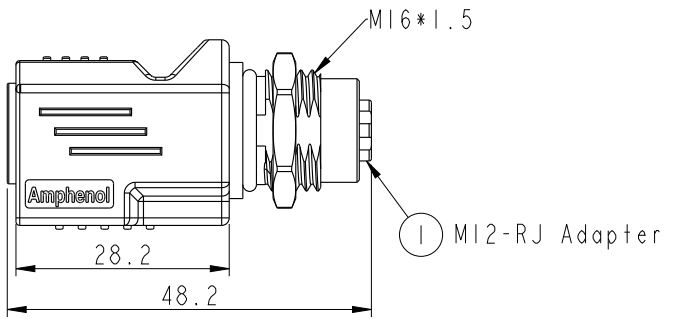


THIS DOCUMENT IS SUBJECT TO CHANGE WITHOUT NOTICE. IT IS CONFIDENTIAL AND A PROPERTY OF Amphenol LTW. DISCLOSURE TO THIRD PARTY HAS TO BE AUTHORIZED BY Amphenol LTW.

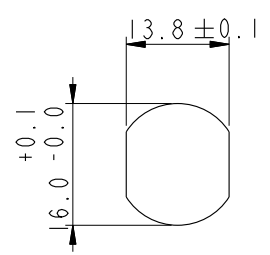
REV.	ECN NO.	DATE	SIGN	DESCRIPTION
A		2013-02-06	Lu Di	Change Rev.01 To Rev.A
B	LE31350017	2013-04-22	Lu Di	Add The Dimensions
C	LE31460009	2014-05-26	Tony_leng	Change O-Ring



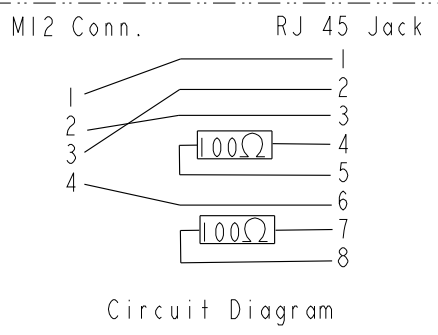
Pin Assignments  
Front View



- Note:
- \*  $\text{Ⓞ}$  Important Dimension
  - \* Waterproof Rate: IP65(MOLDING)
  - \* Waterproof Rate: IP68(M12)  
(Under Water 1M 24 hours)
  - \* Pin: Copper Alloy, Gold Plated
  - \* Nut: Zinc Alloy, Nickel Plated
  - \* Shield: Copper Alloy, Nickel Plated
  - \*  $\triangle C$  O-Ring1: Silicone, UL94V-0, Gray.
  - \*  $\triangle C$  O-Ring2: Silicone, UL94V-0, Gray.
  - \* Jack: PBT, Black.
  - \* Housing: Nylon+GF, Black.
  - \* Panel Thickness Max: 5.0mm



M12 Recommended  
Panel Cut-Out

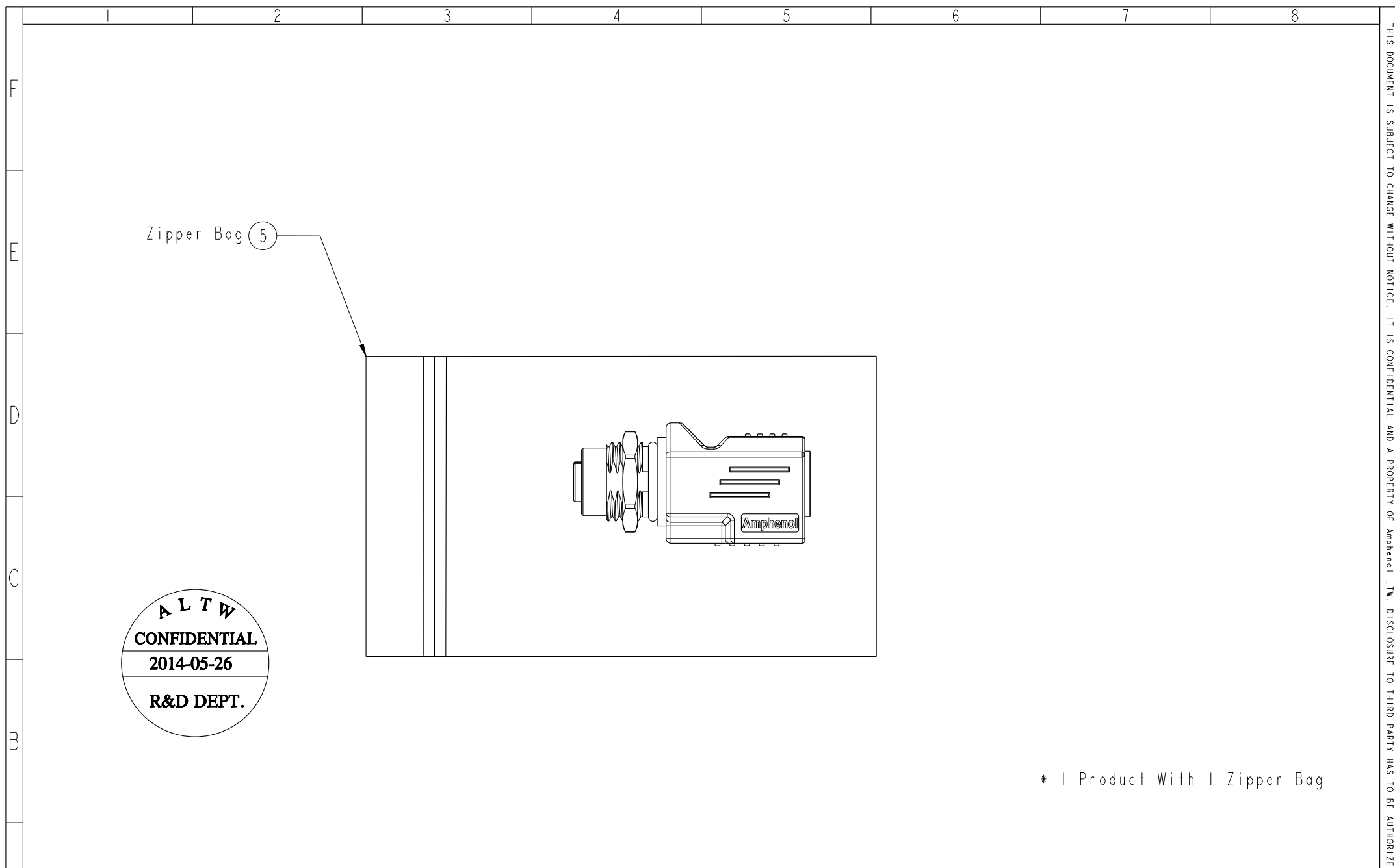


UNIT: mm	$\text{Ⓞ}$	$\text{Ⓞ}$
TOLERANCE	$\triangle B$	
±0.5mm		

TITLE ADAPTOR, SHIELDED M12 D CODE TO RJ45			
SCALE 1:1	SIZE A4	SHEET 1 OF 2	
REV. C	WC-REV. B.2	$\text{Ⓞ}$ : Inspection item	

**Amphenol LTW**  
安費諾亮泰企業股份有限公司

ITEM NO RJS-12D04FF-LS8001	DRAWN BY Tony_leng	DATE 2014-05-26
DWG NO RJS-12D04FF-LS8001	CHECKED BY Jimmy	DATE 2014-05-26
CUSTOMER ALTW	APPROVED BY Ja-anne	DATE 2014-05-26



**ALTW**  
**CONFIDENTIAL**  
 2014-05-26  
**R&D DEPT.**

\* 1 Product With 1 Zipper Bag

A	<b>UNIT:mm</b>			TITLE ADAPTOR, SHIELDED M12 D CODE TO RJ45			ITEM NO RJS-12D04FF-LS8001	DRAWN BY Tony_leng	DATE 2014-05-26	
	TOLERANCE			B	SCALE	SIZE	SHEET	DWG NO	CHECKED BY	DATE
	±0.5mm				1:1	A4	2 OF 2	RJS-12D04FF-LS8001	Jimmy	2014-05-26
				REV.	WC-REV.	CUSTOMER ALTW		APPROVED BY	DATE	
				C	B.2	Inspection item		Jo-anne	2014-05-26	
									8 FMW10702-01-02A1	

**Amphenol LTW**  
**安費諾亮泰企業股份有限公司**

## X-ON Electronics

Largest Supplier of Electrical and Electronic Components

*Click to view similar products for [Modular Connectors](#) / [Ethernet Connectors](#) category:*

*Click to view products by [Amphenol](#) manufacturer:*

Other Similar products are found below :

[8949-H88/06BLKA/SN](#) [74441-0010/BKN](#) [MP1010RX-1000](#) [MP44RX-1000](#) [PHJ-4P4C-1-V-4](#) [PHP-6P6C-5](#) [GAX-3-66](#) [GAX-8-62](#) [GDCX-PA-66-50](#) [GDCX-PN-64](#) [GDCX-PN-66](#) [GDCX-PN-66-50](#) [GDLX-A-66](#) [GDLX-N-66](#) [GDLX-S-66](#) [GDLX-S-88K](#) [GDTX-S-88-50](#) [GDX-PA-1010](#) [GLX-N-1010M-BLK](#) [GLX-S-88M-BLK](#) [GMX-N-1010](#) [GMX-S-1010](#) [GMX-S-66](#) [GMX-SMT4-N-88](#) [GPX-2-64](#) [GSGX-N-2-88](#) [GSGX-N-4-88](#) [GSX-NS2-88-3.05-50](#) [PT-108A-8C-UL](#) [PT-J951-8C](#) [PTS-J531-8CS-50UL](#) [1-1775629-2](#) [A-2014-0-4](#) [GWLX-S-88-GR](#) [GWLX-S9-88-YG](#) [DC-1021-8-WH-6](#) [1300530003](#) [1324640-4](#) [RJ11FTVC2G](#) [RJ11FTVC2N](#) [RJFTVX2SA1G](#) [132764-001](#) [1413235](#) [MP88X-1000](#) [MPS88RX-5000](#) [MRJR-5481-0F2](#) [E5288-S000K3-L](#) [E5908-15A242-L](#) [155302-001](#) [AX100653](#)