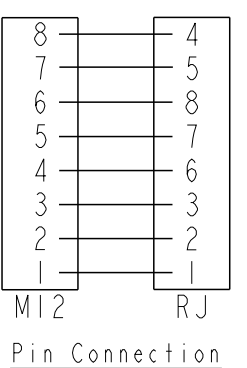
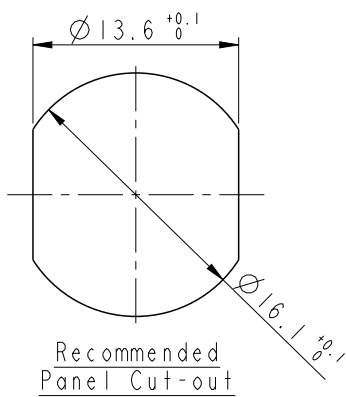
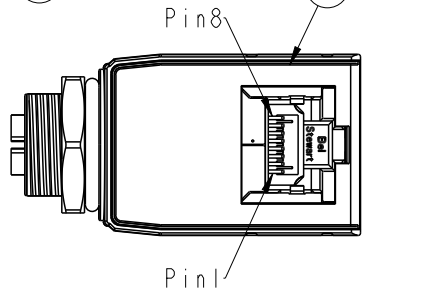
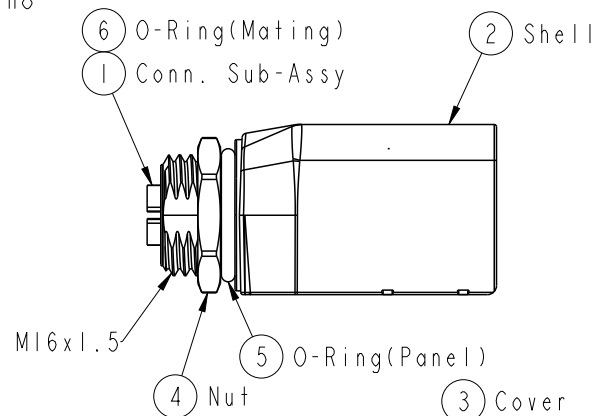
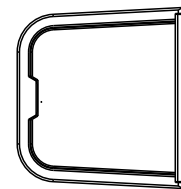
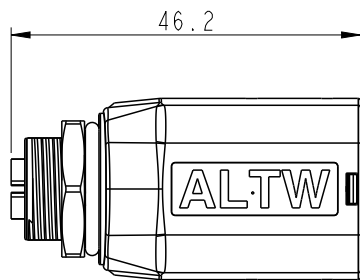
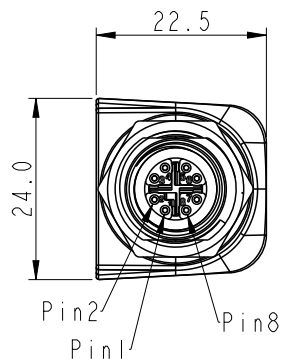


**ALTW**  
**CONFIDENTIAL**  
 2017-11-24  
 R&D DEPT.

REV.	ECN NO.	DATE	SIGN	DESCRIPTION



Note:  
 \*  $\varnothing$  Important Dimension to Check.  
 \* Waterproof Rate: IP67 Unmated (M12 side)  
 \* M12 Housing: Nylon+GF, Black  
 \* M12 Female Pin: Copper Alloy, Gold Plated  
 \* RJ45 Contacts: Copper Alloy, Gold Plated  
 \* Shell: Zinc Alloy, Nickel Plated  
 \* Cover: Nylon+GF, Black  
 \* Nut: Zinc Alloy, Nickel Plated  
 \* Temperature Range: -25~+85°C  
 \* Transmission Rate: FLUKE TIA Cat 6A Perm. Link  
 \* Panel Thickness Max.: 3.0mm

UNIT: mm		
TOLERANCE	±0.25	±0.1
.X	±0.1	±0.05
.XX	±0.05	±1°
.XXX	±1°	
ANGLES		

TITLE M12 X-code to RJ45 ADAPTER ANGLED			
SCALE 1:1	SIZE A4	SHEET 1	OF 1
REV. A	WC-REV. A.29	QC: Inspection item	

**Amphenol LTW**  
 安費諾亮泰企業股份有限公司

ITEM NO. RJS-12X08FF-RS7001	DRAWN BY Gaotong	DATE 2017/11/24
DWG NO. RJS-12X08FF-RS7001	CHECKED BY Neo	DATE 2017/11/24
CUSTOMER ALTW	APPROVED BY Max	DATE 2017/11/24

THIS DOCUMENT IS SUBJECT TO CHANGE WITHOUT NOTICE. IT IS CONFIDENTIAL AND A PROPERTY OF Amphenol LTW. DISCLOSURE TO THIRD PARTY HAS TO BE AUTHORIZED BY Amphenol LTW.

## X-ON Electronics

Largest Supplier of Electrical and Electronic Components

*Click to view similar products for [Modular Connectors](#) / [Ethernet Connectors](#) category:*

*Click to view products by [Amphenol](#) manufacturer:*

Other Similar products are found below :

[8949-H88/06BLKA/SN](#) [74441-0010/BKN](#) [MP1010RX-1000](#) [MP44RX-1000](#) [PHP-6P6C-5](#) [GAX-3-66](#) [GAX-8-62](#) [GDCX-PA-66-50](#) [GDCX-PN-64](#) [GDCX-PN-66](#) [GDCX-PN-66-50](#) [GDLX-A-66](#) [GDLX-N-66](#) [GDLX-S-66](#) [GDLX-S-88K](#) [GDTX-S-88-50](#) [GDX-PA-1010](#) [GLX-N-1010M-BLK](#) [GLX-S-88M-BLK](#) [GMX-N-1010](#) [GMX-S-1010](#) [GMX-S-66](#) [GMX-SMT4-N-88](#) [GPX-2-64](#) [GSGX-N-2-88](#) [GSGX-N-4-88](#) [GSX-NS2-88-3.05](#) [GSX-NS2-88-3.05-50](#) [GSX-NS-88-3.05-50](#) [GSX-NS-88-3.68](#) [PT-108A-8C-UL](#) [PT-J951-8C](#) [PTS-J531-8CS-50UL](#) [1-1775629-2](#) [A-2014-0-4](#) [GWLX-S-88-GR](#) [GWLX-S9-88-YG](#) [DC-1021-8-WH-6](#) [1300530003](#) [1324640-4](#) [RJ11FTVC2G](#) [RJ11FTVC2N](#) [RJFTVX2SA1G](#) [132764-001](#) [1413235](#) [MP88X-1000](#) [MPS88RX-5000](#) [MRJR-5481-0F2](#) [E5288-S000K3-L](#) [E5908-15A242-L](#)