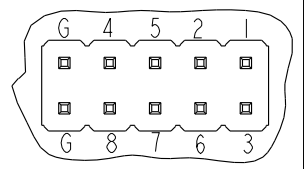
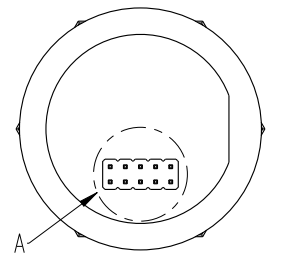
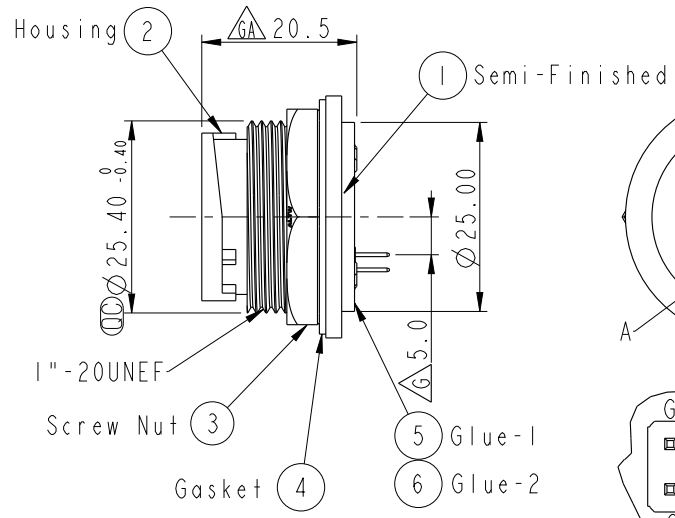
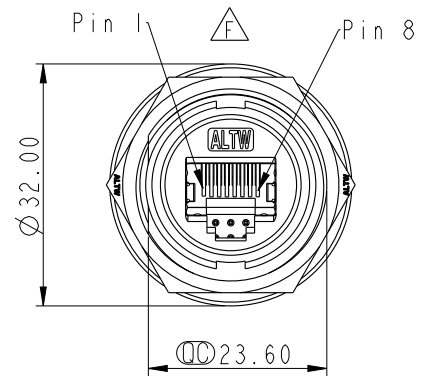
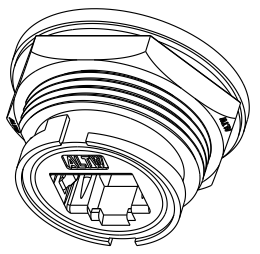
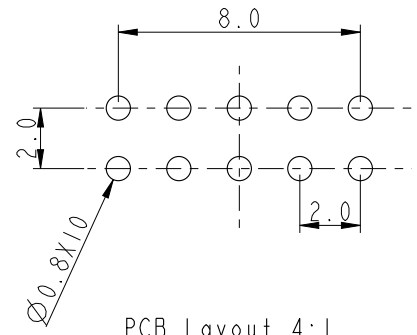


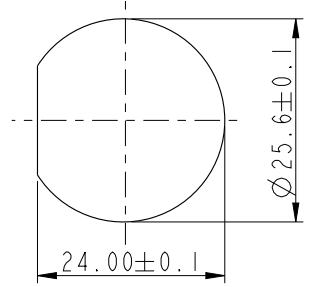
REV.	ECN NO.	DATE	SIGN	DESCRIPTION
F	LEN15A0235	2015/10/05	Ruru	Change Logo
G	CI91623	2019/09/18	Allen Pan	Add Pin Out Position Dimension
GA	C201523	2020/09/30	JC Chen	GA XI



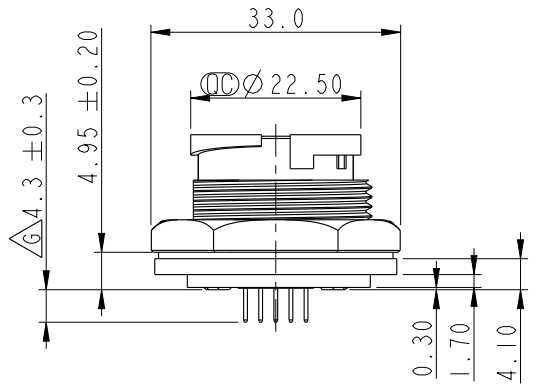
Detail "A"
Scale 3:1



PCB Layout 4:1



Recommended Panel Cut-Out



- Notes:
- * ϕ Important Dimension.
 - * Waterproof Rate: IP67.
 - * RJ45 Sheet: Nickel Plated.
 - * Wafer: Black.
 - * RJ45 Insert: Black.
 - * Liquid Glue: Black.
 - * Screw Nut: Nylon+GF, Black.
 - * Gasket: Silicone, Gray.
 - * Use with Waterproof Cap or Dust Cap
 - For Panel Thickness Max: 4.6mm.

UNIT: mm		
TOLERANCE	.X ± 0.25	
.XX	± 0.1	
.XXX	± 0.05	
ANGLES	$\pm 1^\circ$	

TITLE PANEL LOCK F CONN F PIN			
SCALE 1:1	SIZE A4	SHEET 1 OF 1	
REV. GA	WC-REV. C.4	ϕ : Inspection item	

Amphenol LTW
安費諾亮泰企業股份有限公司

ITEM NO. RJS-5EPFFP-LC7002	DWG NO. RJS-5EPFFP-LC7002	CUSTOMER ALTW
-------------------------------	------------------------------	------------------

DRAWN BY Allen Pan	CHECKED BY Fred Lee	APPROVED BY Fred Lee
-----------------------	------------------------	-------------------------

DATE 2019-09-18	DATE 2019-09-18	DATE 2019-09-18
--------------------	--------------------	--------------------

THIS DOCUMENT IS SUBJECT TO CHANGE WITHOUT NOTICE. IT IS CONFIDENTIAL AND A PROPERTY OF Amphenol LTW. DISCLOSURE TO THIRD PARTY HAS TO BE AUTHORIZED BY Amphenol LTW.

X-ON Electronics

Largest Supplier of Electrical and Electronic Components

Click to view similar products for [Modular Connectors](#) / [Ethernet Connectors](#) category:

Click to view products by [Amphenol](#) manufacturer:

Other Similar products are found below :

[8949-H88/06BLKA/SN](#) [74441-0010/BKN](#) [MP1010RX-1000](#) [MP44RX-1000](#) [PHJ-4P4C-1-V-4](#) [PHP-6P6C-5](#) [GAX-3-66](#) [GAX-8-62](#) [GDCX-PA-66-50](#) [GDCX-PN-64](#) [GDCX-PN-66](#) [GDCX-PN-66-50](#) [GDLX-A-66](#) [GDLX-N-66](#) [GDLX-S-66](#) [GDLX-S-88K](#) [GDTX-S-88-50](#) [GDX-PA-1010](#) [GLX-N-1010M-BLK](#) [GLX-S-88M-BLK](#) [GMX-N-1010](#) [GMX-S-1010](#) [GMX-S-66](#) [GMX-SMT4-N-88](#) [GPX-2-64](#) [GSGX-N-2-88](#) [GSGX-N-4-88](#) [GSX-NS2-88-3.05-50](#) [PT-108A-8C-UL](#) [PT-J951-8C](#) [PTS-J531-8CS-50UL](#) [1-1775629-2](#) [A-2014-0-4](#) [GWLX-S-88-GR](#) [GWLX-S9-88-YG](#) [DC-1021-8-WH-6](#) [1300530003](#) [1324640-4](#) [RJ11FTVC2G](#) [RJ11FTVC2N](#) [RJFTVX2SA1G](#) [132764-001](#) [1413235](#) [MP88X-1000](#) [MPS88RX-5000](#) [MRJR-5481-0F2](#) [E5288-S000K3-L](#) [E5908-15A242-L](#) [155302-001](#) [AX100653](#)