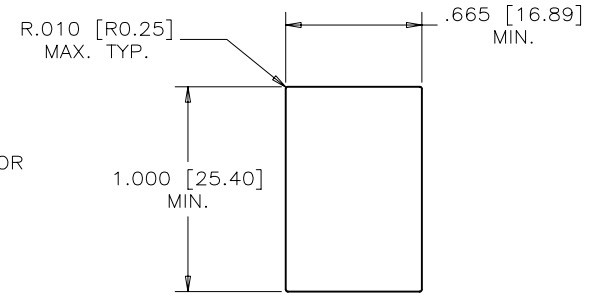
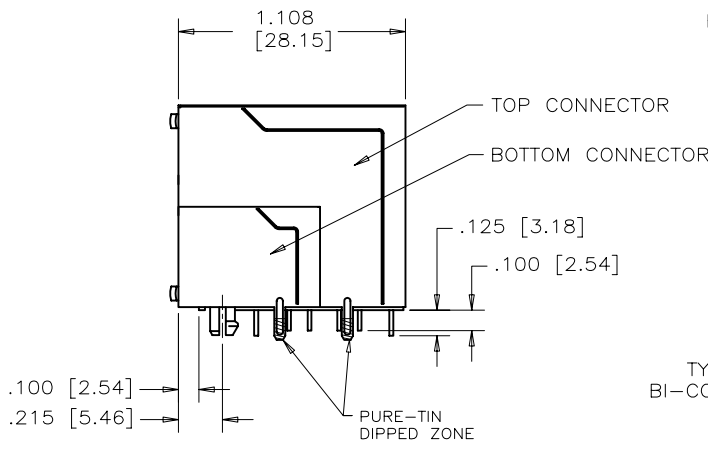
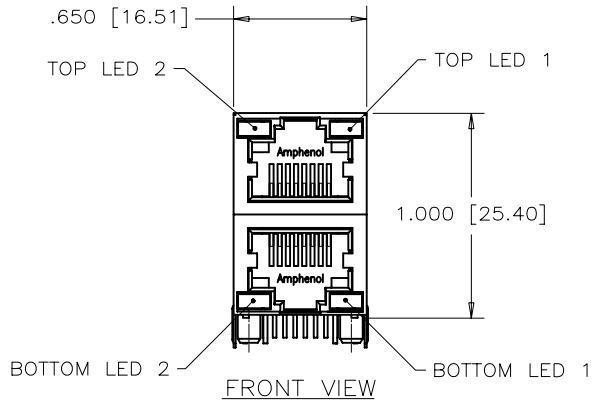
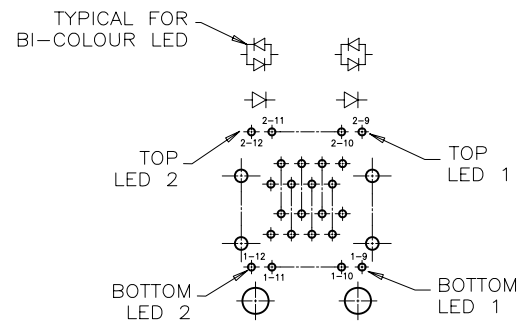


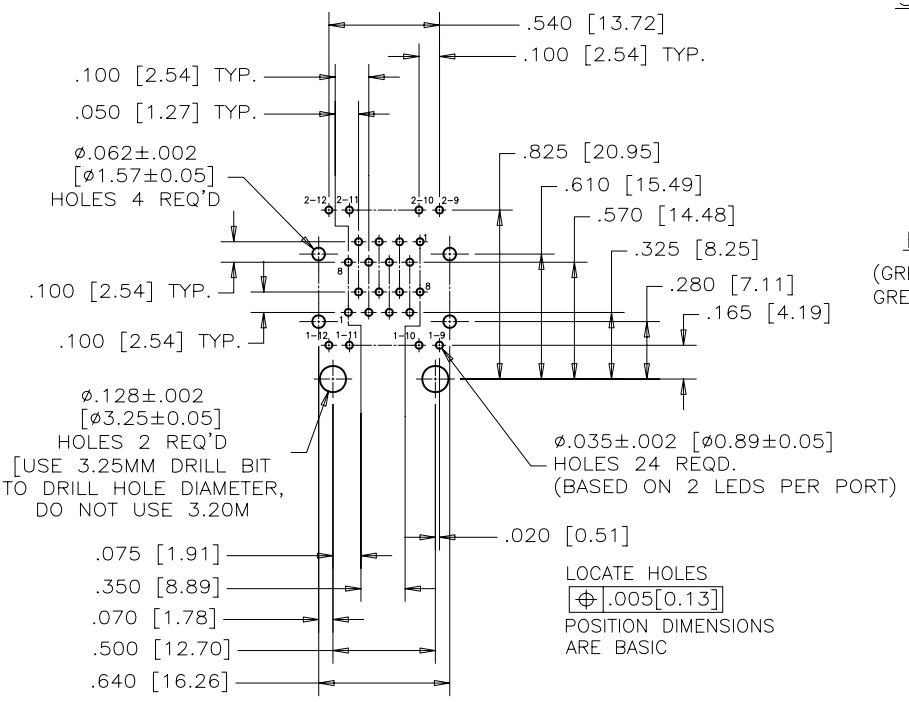
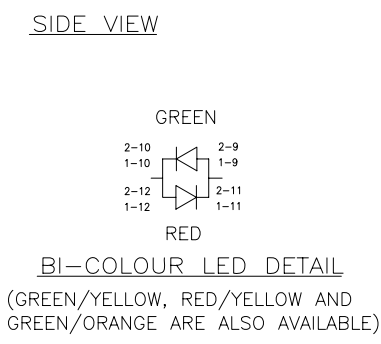
REVISIONS				
SYM	ZONE	ECN, ERN NO.	DATE	APPRD.
A		PROPOSAL	APR28/08	L.CHAN



RECOMMENDED PANEL CUTOUT



LED SCHEMATIC



RECOMMENDED PCB LAYOUT
(COMPONENT SIDE OF BOARD)

MATERIALS:
HOUSING: ENGINEERING THERMOPLASTIC.
 FLAMMABILITY RATING UL 94V-0
 COLOR: BLACK
CONTACTS: PHOSPHOR BRONZE
 PLATING: 50µ" [1.27 MICRONS]
 MIN. GOLD OVER MATING SURFACES.
 50µ" [1.27 MICRONS]
 MIN. NICKEL UNDERPLATE.
 100µ" MIN. MATTE-TIN OR GOLD
 FLASH ON CONTACT AILS.
SHIELD: COPPER ALLOY
 PLATING: NICKEL WITH PURE-TIN DIPPED
 ON PCB TAIL.

PART NUMBER: RJSAE-5F8X-02X

REFER TO LED OPTIONS DRAWING
FOR ORDERING CODES

DRAWN	J.OUYANG	DATE	APR28/08
DESIGNED	MT.CHAN	DATE	APR28/08
CHECKED	L.CHAN	DATE	APR28/08
I. E. APPRD.			
Q. A. APPRD.			
DWG. APPRD.			
ENG. REL. NO.		DWG	DRAWING NO.
REF.	EAR A080408		P-RJSAE-5F8X-02X
DIMENSIONS ARE IN	INCHES [mm]	CODE ID. NO.	03554

Amphenol Canada Corp.			
TITLE 2x1 STACKABLE MODULAR JACK (8 POS. 8 CONTACTS, WITH LEDS AND SHIELD) (WITHOUT GROUND TAB)-ROHS COMPLIANT			
DWG	DRAWING NO.	REV.	
	P-RJSAE-5F8X-02X	A	
SCALE	WT. -----	SURF. -----	SHEET 1 OF 1

THIS DOCUMENT CONTAINS PROPRIETARY INFORMATION AND SUCH INFORMATION
MAY NOT BE DISCLOSED TO OTHERS FOR ANY PURPOSE OR USED FOR MANUFACTURING
PURPOSES WITHOUT WRITTEN PERMISSION FROM AMPHENOL CANADA CORP.

TYPICAL FOR TWO &
MULTI-PORT

EXAMPLE:

PART NUMBER RJS AE-528X



(ANODE)+ (CATHODE)-

EXAMPLE:

PART NUMBER RJS AE-538U-08-XX

LED COLOR CODE

BOTTOM ASSY LED (SAME AS STD CODE)

TOP ASSY LED (SAME AS STD CODE)

CODE	LED 2 (LEFT)	LED 1 (RIGHT)	CODE	LED 2 (LEFT)	LED 1 (RIGHT)	CODE	LED 2 (LEFT)	LED 1 (RIGHT)
0	BLOCKED	BLOCKED	9	GREEN	BLOCKED	J	BiC RD/GR	YELLOW
1	YELLOW	GREEN	A	BiC GR/YE	BiC GR/YE	K	YELLOW	BiC GR/OR
2	BLOCKED	GREEN	B	BiC RD/GR	BiC RD/GR	L	BiC GR/YE	RED
3	YELLOW	BLOCKED	C	BiC RD/GR	BiC GR/YE	M	RED	YELLOW
4	GREEN	YELLOW	D	GREEN	BiC GR/YE	N	BiC GR/RD	BiC GR/YE
5	GREEN	GREEN	E	YELLOW	BiC GR/YE	P	GREEN	BiC RD/GR
6	YELLOW	YELLOW	F	BiC GR/YE	YELLOW	R	BiC GR/OR	GREEN
7	RED	GREEN	G	BiC GR/OR	BiC GR/OR	T	RED	RED
8	GREEN	RED	H	BiC GR/YE	GREEN	V	BiC RD/GR	GREEN
						W	ADDITIONAL OPTIONS	
						U	SPECIAL CODE FOR TOP & BOTTOM LEDS CONFIGURATION	

EXAMPLE OF ADDITIONAL LED OPTIONS:

PART NUMBER RJS AE-528W-A2X

ADDITIONAL LED COLOR CODE

DENOTES ADDITIONAL LED OPTIONS TO BE USED

CODE	LED 2 (LEFT)	LED 1 (RIGHT)	CODE	LED 2 (LEFT)	LED 1 (RIGHT)	CODE	LED 2 (LEFT)	LED 1 (RIGHT)
0	DO NOT USE		5	BLOCKED	YELLOW	A	LOWC YE	LOWC YE
1	RED	BLOCKED	6	RED	BiC RD/GR	B	LOWC YE	LOWC GR
2	BiC GR/OR	YELLOW	7			C	LOWC GR	LOWC YE
3	YELLOW	RED	8	BiC RD/GR	BLOCKED	D	LOWC GR	LOWC GR
4	BLOCKED	RED	9	BiC GR/YE	BLOCKED	M	LOWC RD	LOWC YE
						N	GREEN	BiC GR/OR

THIS DOCUMENT CONTAINS PROPRIETARY INFORMATION AND SUCH INFORMATION MAY NOT BE DISCLOSED TO OTHERS FOR ANY PURPOSE OR USED FOR MANUFACTURING PURPOSES WITHOUT WRITTEN PERMISSION FROM AMPHENOL CANADA CORP.

STORAGE TEMPERA
LEAD SOLDERING T
(5 SEC
PLATING ON TAILS:

PRIMA
LEDS
CATHO
RED-C
RED-Y
GREEN
GREEN

LEGE
BiC=
LOWC
YE=Y
GR=C
RD=F
OR=C

NOTE:
THE TWO
ADDITION
USED IN
ORDERING
LED OPT

DRAWN PAUL WANG
DESIGNED
CHECKED TERRY
I. E. APPRD.
Q. A. APPRD.
DWG. APPRD.
ENG. REL. NO.
REF.
DIMENSIONS ARE IN INCHES [mm]

X-ON Electronics

Largest Supplier of Electrical and Electronic Components

Click to view similar products for [Modular Connectors](#) / [Ethernet Connectors](#) category:

Click to view products by [Amphenol](#) manufacturer:

Other Similar products are found below :

[8949-H88/06BLKA/SN](#) [74441-0010/BKN](#) [MP1010RX-1000](#) [MP44RX-1000](#) [PHJ-4P4C-1-V-4](#) [PHP-6P6C-5](#) [GAX-3-66](#) [GAX-8-62](#) [GDCX-PA-66-50](#) [GDCX-PN-64](#) [GDCX-PN-66](#) [GDCX-PN-66-50](#) [GDLX-A-66](#) [GDLX-N-66](#) [GDLX-S-66](#) [GDLX-S-88K](#) [GDTX-S-88-50](#) [GDX-PA-1010](#) [GLX-N-1010M-BLK](#) [GLX-S-88M-BLK](#) [GMX-N-1010](#) [GMX-S-1010](#) [GMX-S-66](#) [GMX-SMT4-N-88](#) [GPX-2-64](#) [GSGX-N-2-88](#) [GSGX-N-4-88](#) [GSX-NS2-88-3.05-50](#) [PT-108A-8C-UL](#) [PT-J951-8C](#) [PTS-J531-8CS-50UL](#) [1-1775629-2](#) [A-2014-0-4](#) [GWLX-S-88-GR](#) [GWLX-S9-88-YG](#) [DC-1021-8-WH-6](#) [1300530003](#) [1324640-4](#) [RJ11FTVC2G](#) [RJ11FTVC2N](#) [RJFTVX2SA1G](#) [132764-001](#) [1413235](#) [MP88X-1000](#) [MPS88RX-5000](#) [MRJR-5481-0F2](#) [E5288-S000K3-L](#) [E5908-15A242-L](#) [155302-001](#) [AX100653](#)