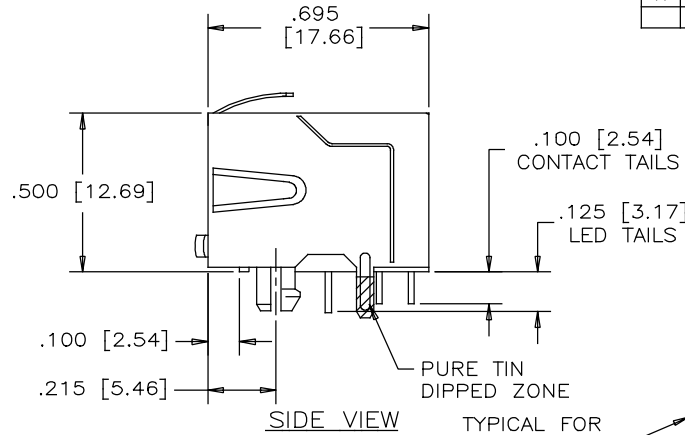
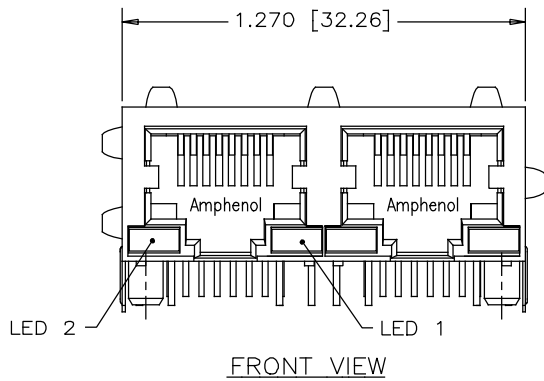
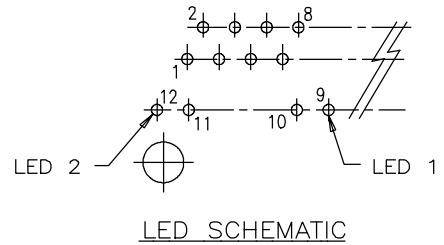
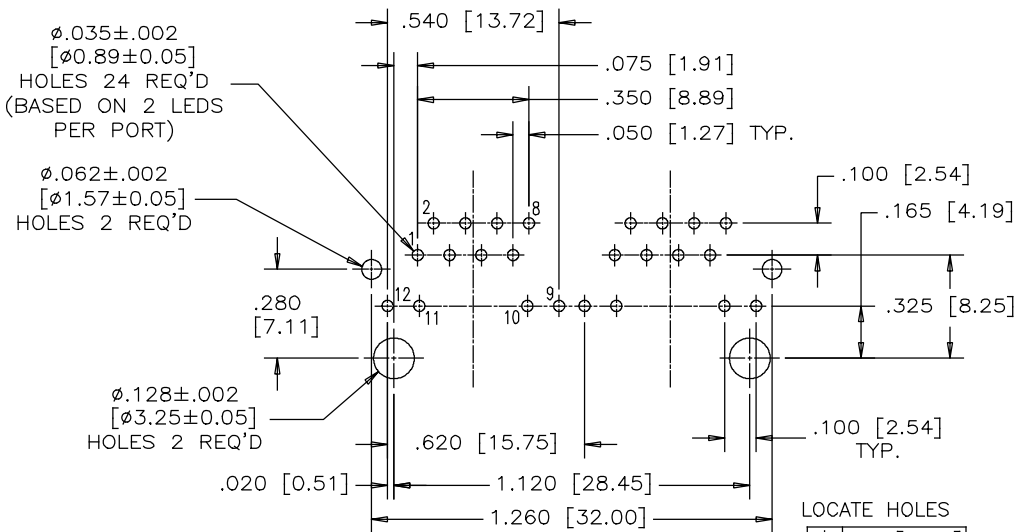
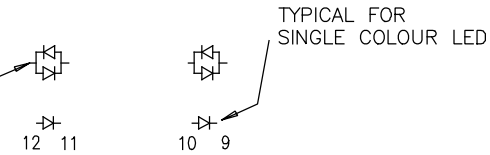


REVISIONS			
REV	DESCRIPTION, ECN, EAR NO.	DATE	APP'D
A	PROPOSAL	APR 07/17	L.CHAN



GREEN
10 OR 12
RED
9 OR 11
BI-COLOUR LED DETAIL
(GREEN/YELLOW, RED/YELLOW AND GREEN/ORANGE ARE ALSO AVAILABLE)

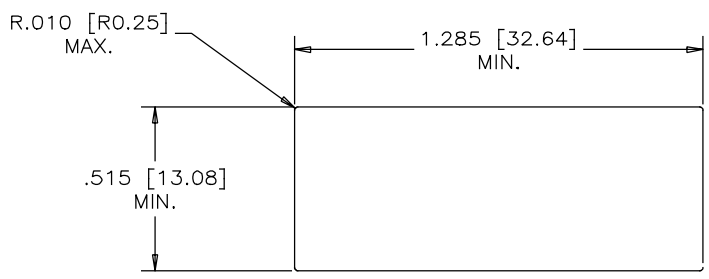


MATERIALS:

- CONTACTS:** PHOSPHOR BRONZE, PLATING: SELECTIVE GOLD PLATING ON MATING SURFACES. SEE PART NO. FOR THICKNESS. 50 MICRO" MIN. NICKEL OVERALL. 100 MICRO" MIN. MATTE TIN OR GOLD FLASH ON TAILS.
- HOUSING:** HIGH TEMPERATURE THERMOPLASTIC COLOR - BLACK, FLAMMABILITY RATING UL 94V-0
- SHIELD:** COPPER ALLOY PLATING: NICKEL WITH PURE-TIN DIPPED PCB TAILS.
- RECOMMENDED SOLDERING TEMPERATURE:** WAVE SOLDERING AT 260°C MAX. FOR 5 SEC MAX.

PART NUMBER: RJSBE-X38X-C2X

- GOLD PLATING OPTION:** REFER TO LED OPTIONS DRAWING FOR ORDERING CODES
- D = 6u" GOLD PLATING
 - G = 15u" GOLD PLATING
 - J = 30u" GOLD PLATING
 - 5 = 50u" GOLD PLATING



RECOMMENDED PANEL CUTOUT

UNLESS SPECIFIED OTHERWISE	DRAWN <i>RONNIE.C</i>	APR 07/17	Amphenol Canada Corp. www.amphenolcanada.com
PRIMARY UNITS INCHES	CHECKED <i>AMY.Z</i>	APR 07/17	
SECONDARY MILLIMETERS	M.E. APP'D		TITLE
REFERENCE IN PARENTHESES	Q.A. APP'D		2 PORT MODULAR JACK, 8 POSITIONS, 8 CONTACTS, WITH LED OPTIONS, SHIELDED, GOLD PLATING OPTIONS- RoHS COMPLIANT
1 DECIMAL PLACE	DWG APP'D		DWG NO.
2 DECIMAL PLACES	ENG. REL NO.		P-RJSBE-X38X-C2X
3 DECIMAL PLACES ±0.015	REF.		REV
ANGULAR DEGREES ±1.5°	THIRD ANGLE PROJECTION	DO NOT SCALE DRAWING	A
CODE ID NO. 03554 DWG SIZE SCALE SHEET 1 OF 1			

X-ON Electronics

Largest Supplier of Electrical and Electronic Components

Click to view similar products for [Modular Connectors](#) / [Ethernet Connectors](#) category:

Click to view products by [Amphenol](#) manufacturer:

Other Similar products are found below :

[8949-H88/06BLKA/SN](#) [74441-0010/BKN](#) [MP1010RX-1000](#) [MP44RX-1000](#) [PHJ-4P4C-1-V-4](#) [PHP-6P6C-5](#) [GAX-3-66](#) [GAX-8-62](#) [GDCX-PA-66-50](#) [GDCX-PN-64](#) [GDCX-PN-66](#) [GDCX-PN-66-50](#) [GDLX-A-66](#) [GDLX-N-66](#) [GDLX-S-66](#) [GDLX-S-88K](#) [GDTX-S-88-50](#) [GDX-PA-1010](#) [GLX-N-1010M-BLK](#) [GLX-S-88M-BLK](#) [GMX-N-1010](#) [GMX-S-1010](#) [GMX-S-66](#) [GMX-SMT4-N-88](#) [GPX-2-64](#) [GSGX-N-2-88](#) [GSGX-N-4-88](#) [GSX-NS2-88-3.05-50](#) [PT-108A-8C-UL](#) [PT-J951-8C](#) [PTS-J531-8CS-50UL](#) [1-1775629-2](#) [A-2014-0-4](#) [GWLX-S-88-GR](#) [GWLX-S9-88-YG](#) [DC-1021-8-WH-6](#) [1300530003](#) [1324640-4](#) [RJ11FTVC2G](#) [RJ11FTVC2N](#) [RJFTVX2SA1G](#) [132764-001](#) [1413235](#) [MP88X-1000](#) [MPS88RX-5000](#) [MRJR-5481-0F2](#) [E5288-S000K3-L](#) [E5908-15A242-L](#) [155302-001](#) [AX100653](#)