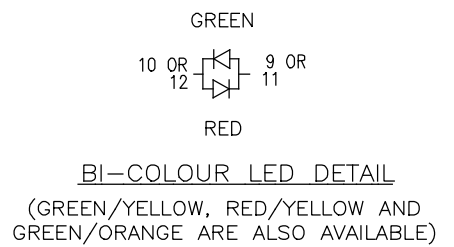
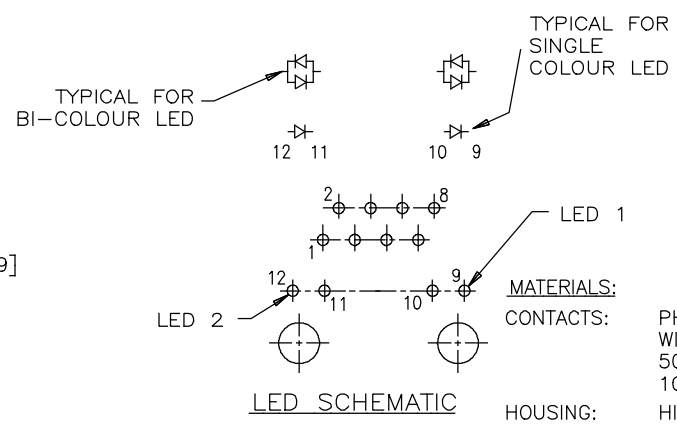
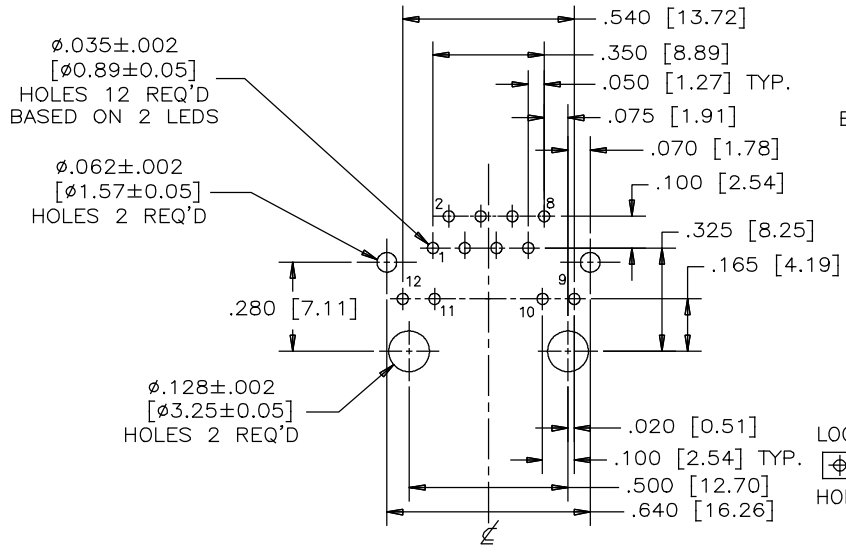
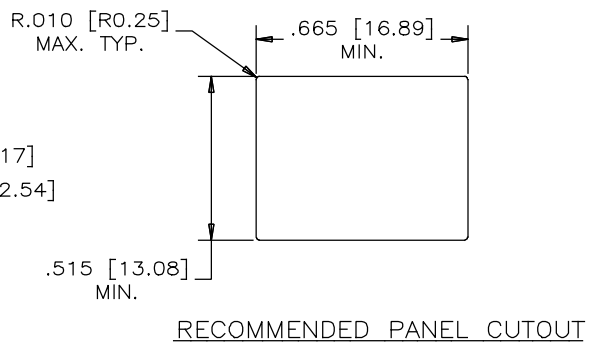
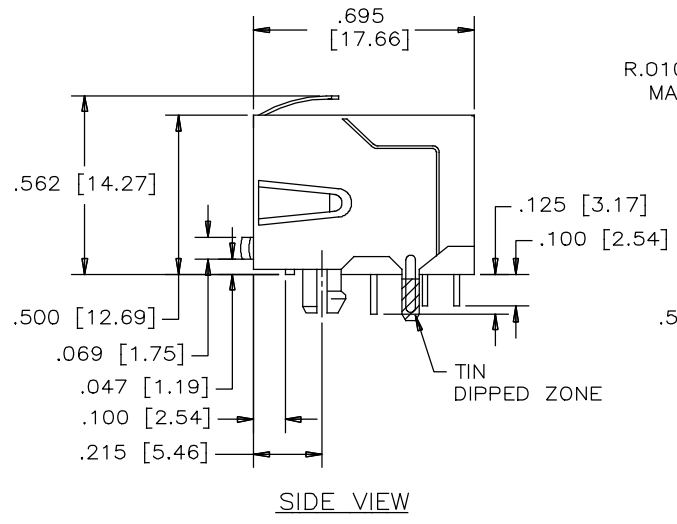
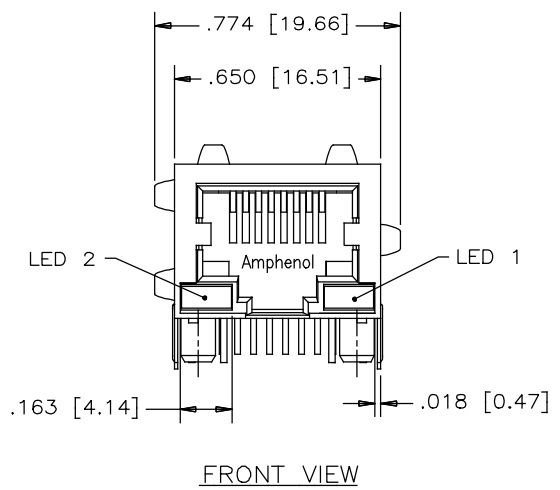


REVISIONS			
REV	DESCRIPTION, ECN, EAR NO.	DATE	APP'D
B	PROPOSAL	05/12/29	L.CHAN
C	ADD OPERATING TEMPERATURE.	MAY07/14	L.CHAN



**MATERIALS:**

**CONTACTS:** PHOSPHOR BRONZE, SELECTIVELY PLATED WITH 50 MICRO" GOLD ON MATING AREAS. 50 MICRO" MIN. NICKEL OVERALL. 100 MICRO" MIN. MATTE TIN OR GOLD FLASH ON TAILS.

**HOUSING:** HIGH TEMPERATURE THERMOPLASTIC COLOR - BLACK. FLAMMABILITY RATING UL 94V-0

**SHIELD:** COPPER ALLOY

**PLATING:** NIVKEL WITH TIN DIPPED PCB TAILS.

OPERATING TEMPERATURE: -55°C - +85°C.



PART NO.: RJSBE-538X-C1X

REFER TO LED OPTIONS DRAWING FOR ORDERING CODES

UNLESS SPECIFIED OTHERWISE	DRAWN PAUL WANG	05/12/29	Amphenol Canada Corp. www.amphenolcanada.com
PRIMARY UNITS INCHES	CHECKED CHIGOW	12/29/05	
SECONDARY MILLIMETERS	M.E. APP'D		MODULAR JACK, 8 POSITIONS, 8 CONTACTS, WITH LED OPTIONS, SHIELDED, - RoHS COMPLIANT
REFERENCE IN PARENTHESES	Q.A. APP'D		
1 DECIMAL PLACE	DWG APP'D		DWG NO. P-RJSBE-538X-C1X
2 DECIMAL PLACES	ENG. REL NO.		
3 DECIMAL PLACES	REF.		REV C
ANGULAR DEGREES ±1.5'	THIRD ANGLE PROJECTION	DO NOT SCALE DRAWING	CODE ID NO. 03554   DWG SIZE   SCALE   SHEET 1 OF 1

8	GREEN	RED	H	BiC GR/YE	GREEN	V	BiC RD/GR	GR
						W	ADDITIONAL OP	

EXAMPLE OF ADDITIONAL LED OPTIONS:

PART NUMBER RJSBE-538W-C1X



CODE	LED 2 (LEFT)	LED 1 (RIGHT)	CODE	LED 2 (LEFT)	LED 1 (RIGHT)	CODE	LED 2 (LEFT)	LED 1 (RIGHT)
0	DO NOT USE		5	BLOCKED	YELLOW	A	LOWC YE	LO
1	RED	BLOCKED	6	RED	BiC RD/GR	B	LOWC YE	LO
2	BiC GR/OR	YELLOW	7			C	LOWC GR	LO
3	YELLOW	RED	8	BiC RD/GR	BLOCKED	D	LOWC GR	LO
4	BLOCKED	RED	9	BiC GR/YE	BLOCKED	M	LOWC RD	LO
						N	GREEN	BiC
						E	GREEN	OR
						F	ORANGE	GR
						P	BiC RD/YE	GR
						R	BiC RD/YE	BiC

*THIS DOCUMENT CONTAINS PROPRIETARY INFORMATION AND SUCH INFORMATION MAY NOT BE DISCLOSED TO OTHERS FOR ANY PURPOSE OR USED FOR MANUFACTURING PURPOSES WITHOUT WRITTEN PERMISSION FROM AMPHENOL CANADA CORP.*

## X-ON Electronics

Largest Supplier of Electrical and Electronic Components

*Click to view similar products for [Modular Connectors](#) / [Ethernet Connectors](#) category:*

*Click to view products by [Amphenol](#) manufacturer:*

Other Similar products are found below :

[RJE231881317T](#) [MP1010RX-1000](#) [MP44RX-1000](#) [GAX-3-66](#) [GAX-8-62](#) [93606-0253](#) [GD-A-44](#) [GDCX-PA-66-50](#) [GDCX-PN-64](#) [GDCX-PN-66](#) [GDCX-PN-66-50](#) [GDLX-A-66](#) [GDLX-A-88](#) [GDLX-N-66](#) [GDLX-S-88K](#) [GDTX-S-88-50](#) [GDX-PA-1010](#) [GLX-N-1010M-BLK](#) [GLX-N-44M](#) [GLX-S-88M-BLK](#) [GMX-N-1010](#) [GMX-S-1010](#) [GMX-S-66](#) [GMX-SMT2-N-1010](#) [GMX-SMT2-N-64-50](#) [GMX-SMT2-S6-88](#) [GMX-SMT4-N-88](#) [GPX-2-64](#) [GRT1-BT1-5](#) [GSGX-N-2-88](#) [GSX-NS2-88-3.05](#) [GSX-NS2-88-3.05-50](#) [GSX-NS-88-3.05-30](#) [GSX-NS-88-3.05-50](#) [GSX-NS-88-3.68](#) [1-1775629-2](#) [GWLX-S-88-GR](#) [GWLX-S9-88-YG](#) [1300500326](#) [1300500227](#) [1300530003](#) [1300570002](#) [1324640-4](#) [RJ11FTVC2G](#) [RJ11FTVC2N](#) [RJFTVX2SA1G](#) [132764-001](#) [1400000](#) [1413176](#) [1413235](#)