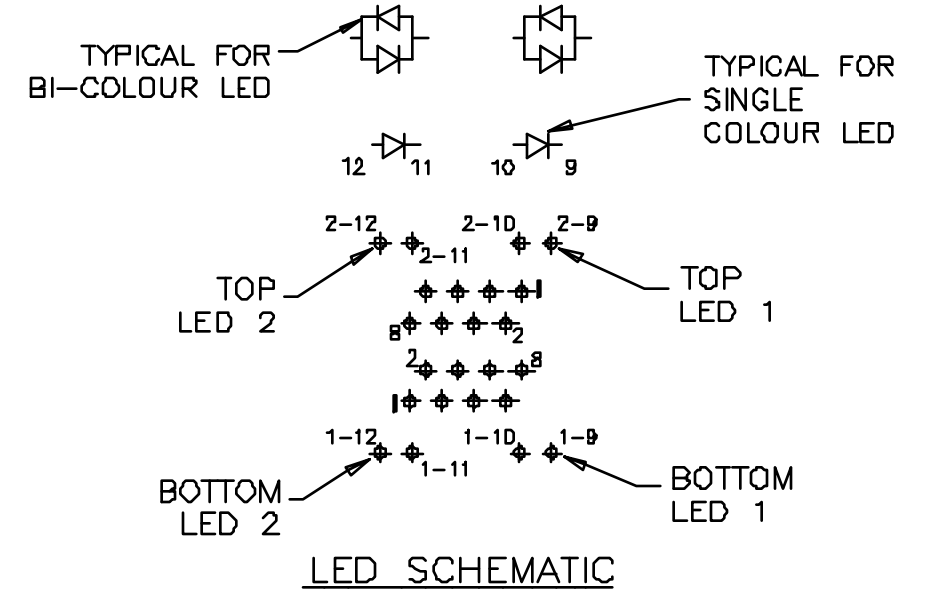
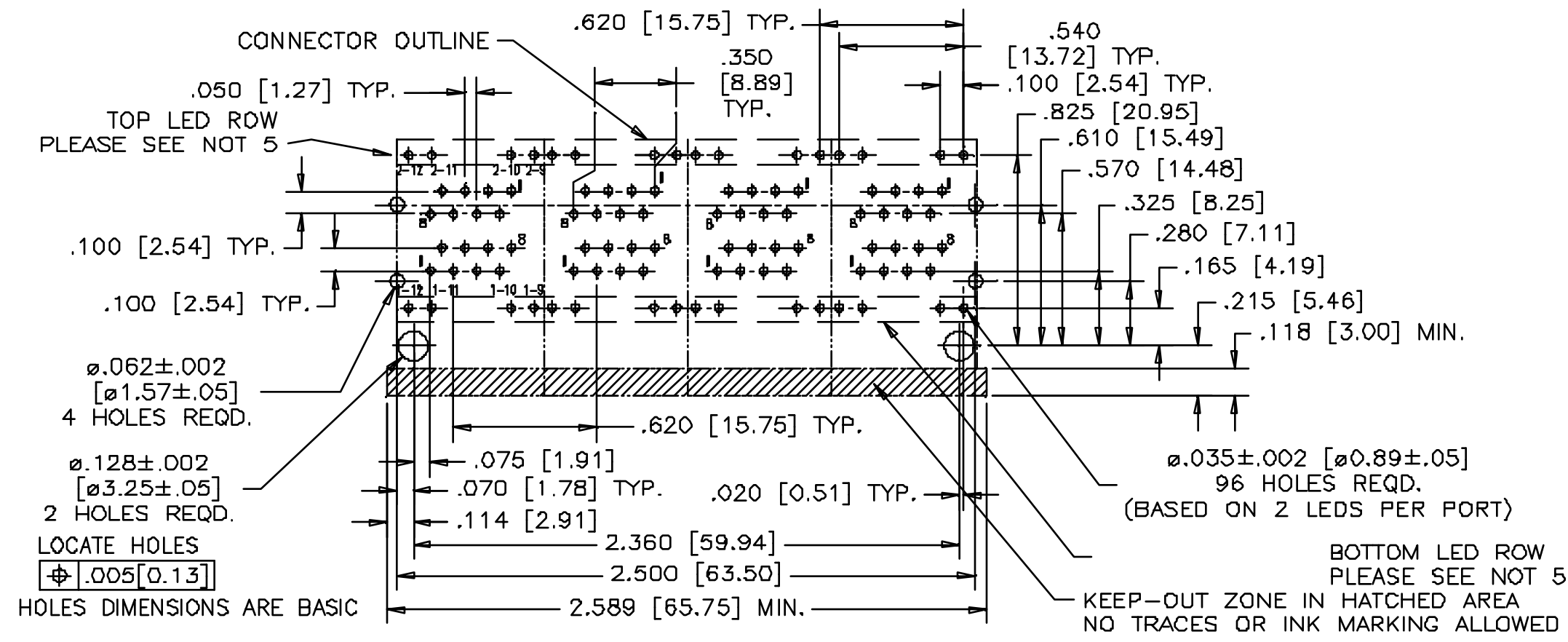
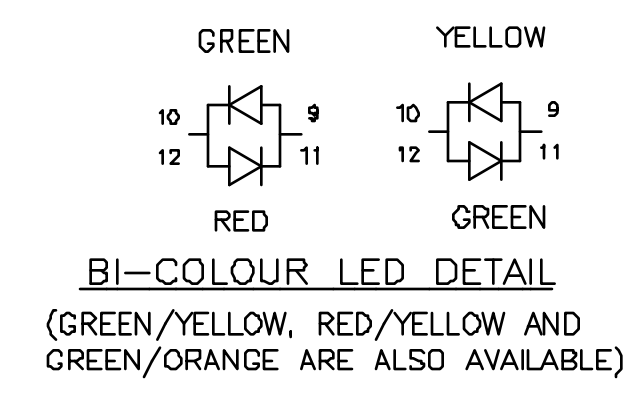
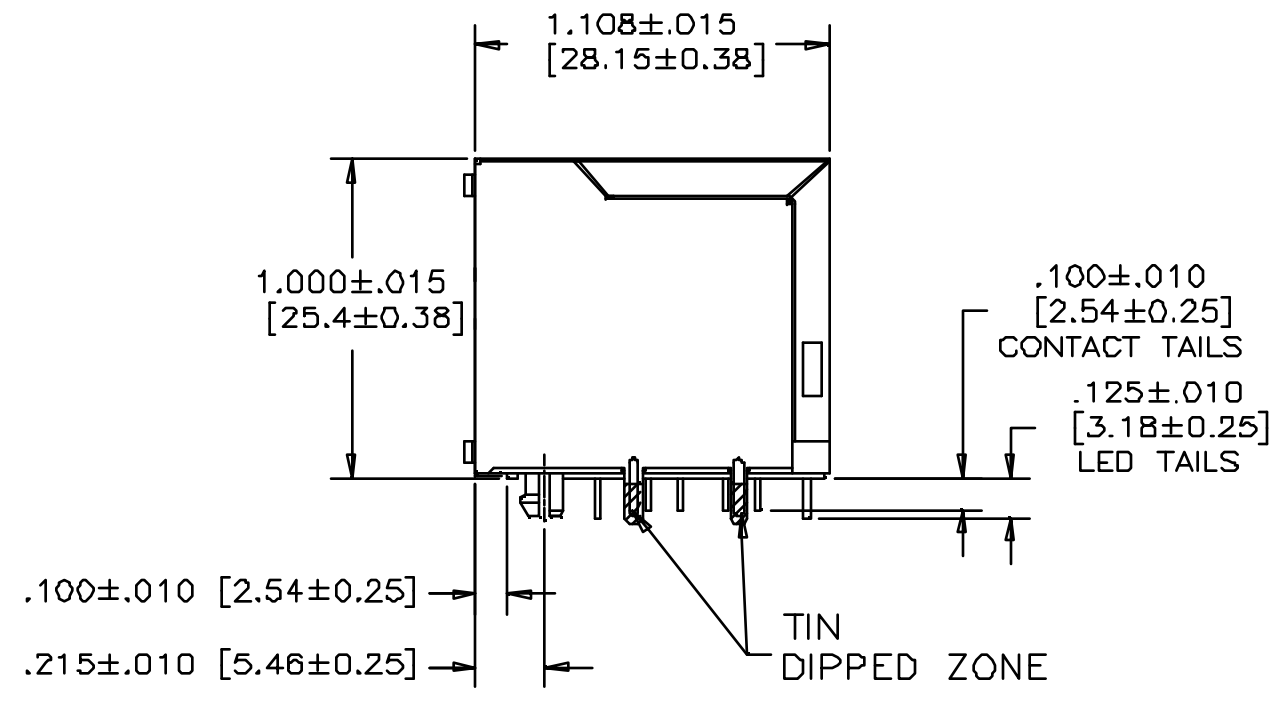
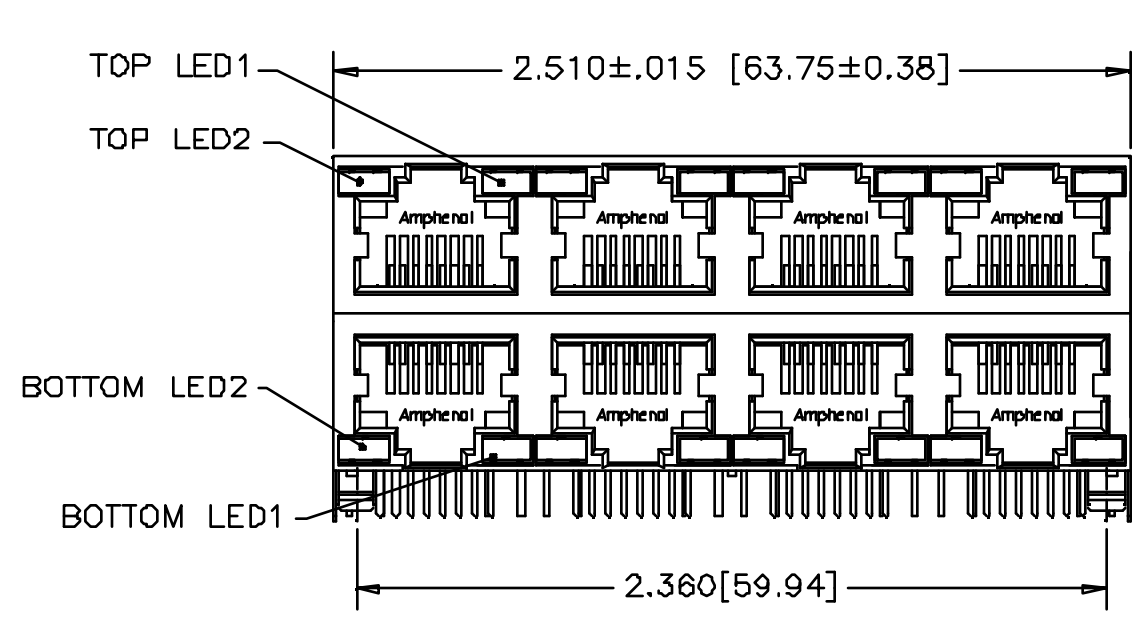
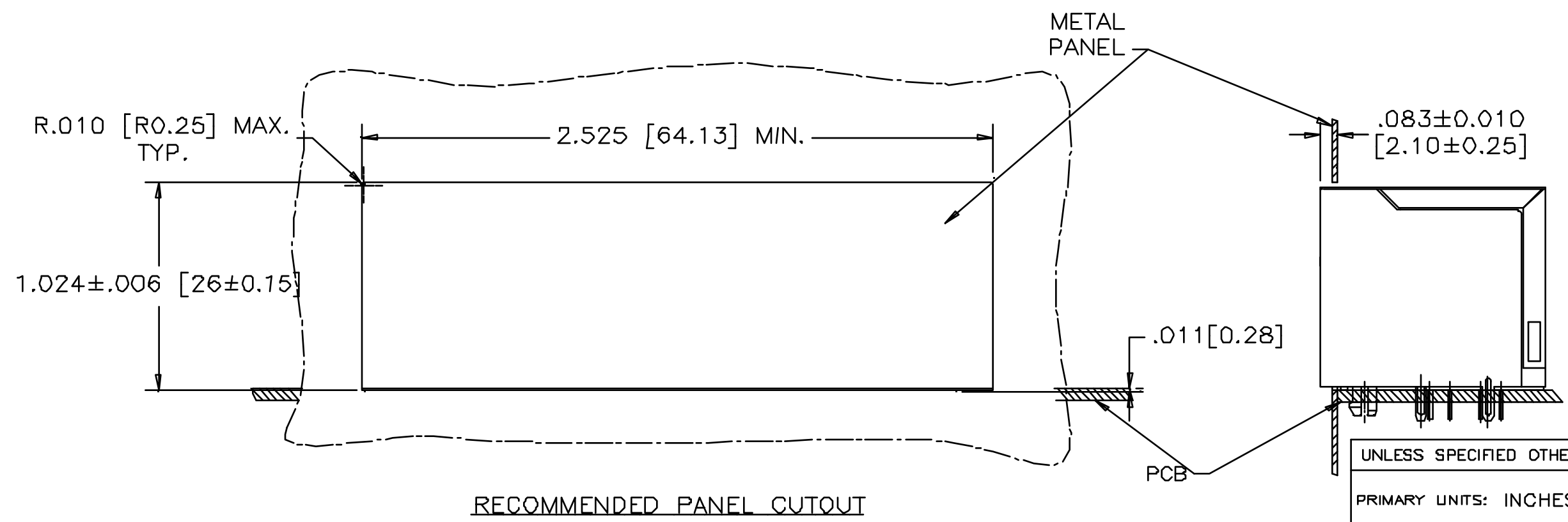


REVISIONS			
REV	DESCRIPTION, ECN, EAR NO.	DATE	APP'D
A	PROPOSAL	JAN.16/15	L.CHAN



- NOTES:
- MATERIALS**
HOUSING: ENGINEERING THERMOPLASTIC.
COLOUR: BLACK. FLAMMABILITY RATING UL 94V-0
CONTACTS: PHOSPHOR BRONZE
PLATING: 50 m" [1.25 MICRONS]
MIN. GOLD ON MATING SURFACES.
50 m" [1.27 MICRONS]
MIN. NICKEL UNDERPLATE
100 m" [2.54 MICRONS]
SHIELD: MIN. MATTE-TIN ON CONTACT TAILS.
COPPER ALLOY
NICKEL PLATED WITH TIN DIPPED TAIL.
 - RECOMMENDED SOLDERING TEMPERATURE:**
WAVE SOLDERING TEMPERATURE AT 260°C MAXIMUM
FOR 10 SEC MAXIMUM
 - AMPHENOL PART NUMBER: RJSNE-5F81-08**



UNLESS SPECIFIED OTHERWISE	DRAWN Jack Guo	JAN16.15
PRIMARY UNITS: INCHES	CHECKED	
SECONDARY: MILLIMETERS	M.E. APP'D	
	Q.A. APP'D	
	DWG APP'D L.CHAN	JAN16.15
	ENG. REL. NO.	
	REF.	
1 DECIMAL PLACE 2 DECIMAL PLACES 3 DECIMAL PLACES ANGULAR DEGREES	±.015	
	THIRD ANGLE PROJECTION	DO NOT SCALE DRAWING

Amphenol Canada Corp. www.amphenolcanada.com			
STACKABLE MODULAR JACK 2X4 PORTS, 8 POSITIONS, 8 CONTACTS, WITH LEDS, SHIELDED, TRAY PACKAGING -RoHS COMPLIANT			
DWG NO.	P-RJSNE-5F8X-08		REV A
CODE ID NO. 03554	DWG SIZE	SCALE	SHEET II OF II

THIS DOCUMENT CONTAINS PROPRIETARY INFORMATION AND SUCH INFORMATION MAY NOT BE DISCLOSED TO OTHERS FOR ANY PURPOSE OR USED FOR MANUFACTURING PURPOSES WITHOUT WRITTEN PERMISSION FROM AMPHENOL CANADA CORP.

X-ON Electronics

Largest Supplier of Electrical and Electronic Components

Click to view similar products for [Modular Connectors](#) / [Ethernet Connectors](#) category:

Click to view products by [Amphenol](#) manufacturer:

Other Similar products are found below :

[8949-H88/06BLKA/SN](#) [74441-0010/BKN](#) [MP1010RX-1000](#) [MP44RX-1000](#) [PHJ-4P4C-1-V-4](#) [PHP-6P6C-5](#) [GAX-3-66](#) [GAX-8-62](#) [GDCX-PA-66-50](#) [GDCX-PN-64](#) [GDCX-PN-66](#) [GDCX-PN-66-50](#) [GDLX-A-66](#) [GDLX-N-66](#) [GDLX-S-66](#) [GDLX-S-88K](#) [GDTX-S-88-50](#) [GDX-PA-1010](#) [GLX-N-1010M-BLK](#) [GLX-S-88M-BLK](#) [GMX-N-1010](#) [GMX-S-1010](#) [GMX-S-66](#) [GMX-SMT4-N-88](#) [GPX-2-64](#) [GSGX-N-2-88](#) [GSGX-N-4-88](#) [GSX-NS2-88-3.05-50](#) [PT-108A-8C-UL](#) [PT-J951-8C](#) [PTS-J531-8CS-50UL](#) [1-1775629-2](#) [A-2014-0-4](#) [GWLX-S-88-GR](#) [GWLX-S9-88-YG](#) [DC-1021-8-WH-6](#) [1300530003](#) [1324640-4](#) [RJ11FTVC2G](#) [RJ11FTVC2N](#) [RJFTVX2SA1G](#) [132764-001](#) [1413235](#) [MP88X-1000](#) [MPS88RX-5000](#) [MRJR-5481-0F2](#) [E5288-S000K3-L](#) [E5908-15A242-L](#) [155302-001](#) [AX100653](#)