

Amphenol

Advanced Sensors

THERMISTOR SPECIFICATION NTC THERMISTOR TYPE: RL2006-1600-103-S70	Originated by: N Schaffner THM Ref. No.55550900	PAGE 1 of 1 DATE: 09/29/2017
CUSTOMER:	CUSTOMER SPECIFICATION No.	

DESCRIPTION: Radial Leaded NTC Thermistor

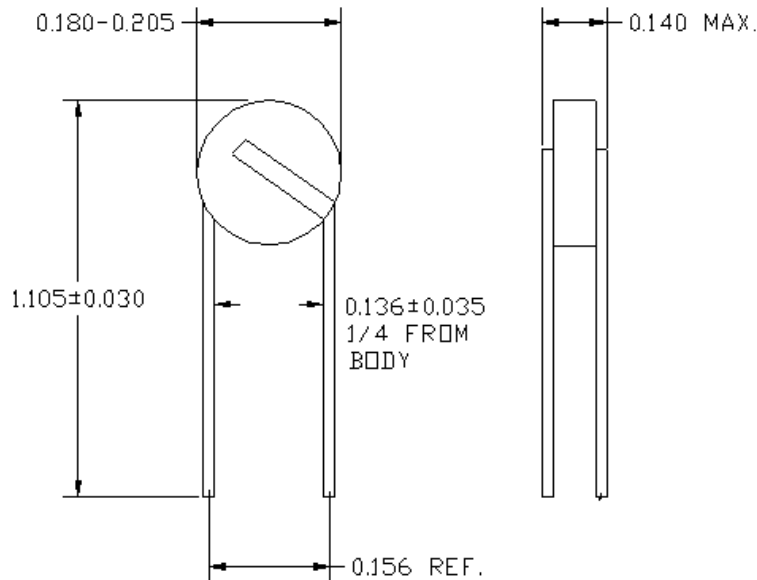
ELECTRICAL SPECIFICATION

Resistance specification: 2752 $\Omega \pm 5.56\%$ AT 25°C
 388.6 $\Omega \pm 3.01\%$ AT 75°C
 96.44 $\Omega \pm 2.85\%$ AT 121.1°C
 72.14 $\Omega \pm 3.13\%$ AT 132.2°C

Material System D10.3
 β value 25/85: 4073K
Dissipation constant: 6.5 mW/°C
Thermal Time Constant: 20 sec. still air
Temperature Range: -50°C to 150°C

OUTLINE DRAWING

Dimensions are in Inches
(Not to scale)



967 WINDFALL RD, ST MARYS, PA 15857 Ph (814) 834-9140 Fx (814) 781-7969

X-ON Electronics

Largest Supplier of Electrical and Electronic Components

Click to view similar products for [NTC \(Negative Temperature Coefficient\) Thermistors](#) *category:*

Click to view products by [Amphenol](#) *manufacturer:*

Other Similar products are found below :

[118-253FAJ-P01](#) [121-202EAC-P01](#) [123-802EAJ-P01](#) [128-105NDP-Q02](#) [129-202VME-S01](#) [135-503LAD-J01](#) [B57250V2473F560](#)
[B57620C472K962](#) [B57620C5103J062](#) [B57621C5102J062](#) [A1004SG22P0](#) [192-103LPR-A01](#) [199-303KAF-A02](#) [30054-4](#) [B57471V2474H062](#)
[B57620C5102J062](#) [B57620C5223J062](#) [500-52AA04-101](#) [526-31AA19-104](#) [526-31AN12-202](#) [103AT-5-1P-FT](#) [10K3A542I](#) [111-802EAJ-901](#)
[112-103FAG-H02](#) [112-104KAG-B01](#) [11028414-00](#) [111-182CAG-H01](#) [112-103FAF-H01](#) [112-104KBF-F01](#) [118-202CAJ-P01](#) [526-31AA79-](#)
[102](#) [B57442V5103J62](#) [517-59CL01-202](#) [B57401V2103H62](#) [B57621C5472J62](#) [11032565-00](#) [194303KEVA01](#) [NTCACAPE3C90193](#)
[B57359V2224J260](#) [B57343V5103J360](#) [NXRT15WB473FA1B040](#) [50070974-003-01](#) [189-602LDR-A01](#) [B57621C5472K062](#) [135-105QAF-](#)
[J02](#) [B57421V2153J062](#) [B57230V2103H260](#) [B57471V2684H062](#) [B57471V2333H062](#) [126-153YJC-B01](#)