

RADLOK™

Rugged, Compact & Cost Effective Power Interconnect Solution

Utilizing Amphenol latest RADSOK® technology, Amphenol RADLOK™ product line was designed with compactness and robustness in mind.

Power Interconnect products on today's market often require additional mounting hardware (e.g. washers, clamps, bolts, nuts) prone to costly labor and consume human resources upon installation and maintenance routine.

Coupling with Amphenol's RADLOK™ PIN, the one finger operated lock feature allows user connects any power distribution/storage system in a quick and secure manner.

RADLOK™ product line is the answer to industries where a custom, reliable, easy to install, rugged, and cost effective solution is required.

FEATURES

- Current Rating: 70A - 400A
- DC Voltage Rating: 1000V
- Tool-Free Mechanical Locking
- High cycle durability (500 mating cycles)
- RoHS compliant

Amphenol

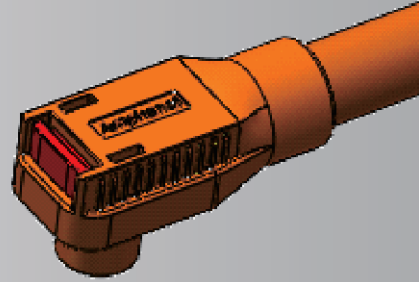
Technical Data

DC Current Rating	70A - 400A
DC Voltage Rating	1000V
Temperature Range	-40°C to +125°C
Flammability	UL94 V-0
Mating Cycle	500

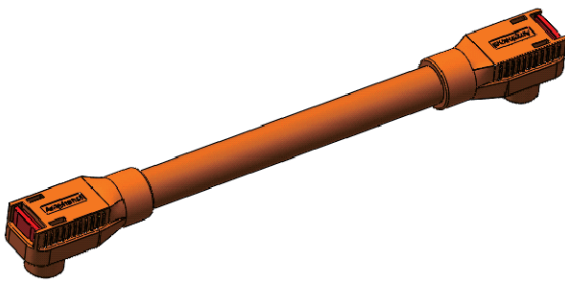
RADLOK™

RADLOK™ Recommended Cable Size & Current

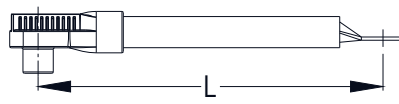
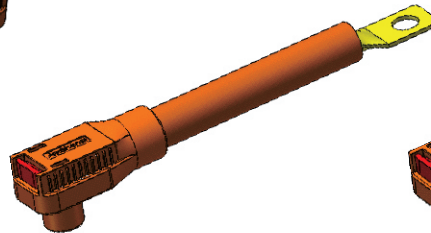
RADSOK® Size (mm)	Recommended Cbl Size (mm²)	Current (A)
3.6	10	70
5.7	16	90
	25	120
8.0	35	150
	50	200
10.0	50	200
	70	250
	95	300
10.3	95	350
12.0	120	400



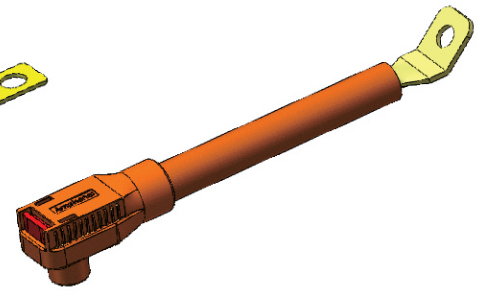
RADLOK™ Cable Assembly



RADLOK™ + RADLOK™



RADLOK™ + Power Lug



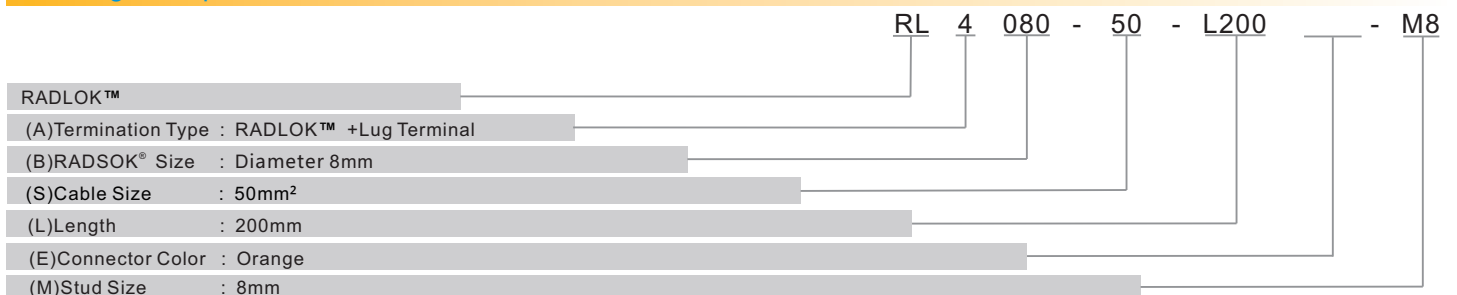
RADLOK™ + Power Lug 45 Degree

RADLOK™ Cable Assembly Ordering Information

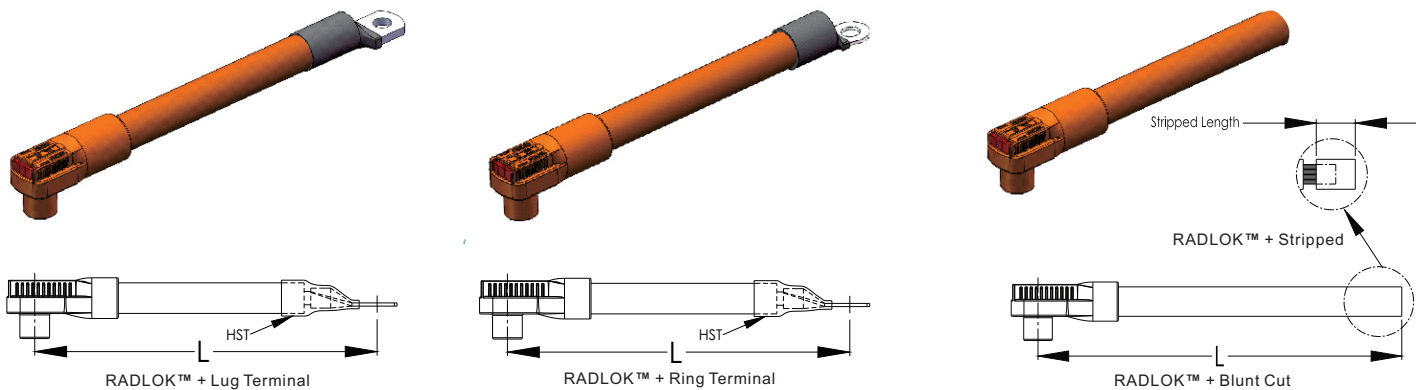
Product Type	(A) Termination Type	(B) RADSOK® Size (mm)	(S) Cable Size	(L) Length (mm)	(E) Connector Color	(M) Stud Size
RL RADLOK™	1 RADLOK™ + RADLOK™	036	3.6	Refer to "RADLOK™ Recommended Cable Size & Current" Chart	Blank for Orange	N/A
	2 RADLOK™ + Power Lug	057	5.7		BK Black	*M / E + Stud Size
	3 RADLOK™ + Power Lug 45 Degree	080	8.0		RE Red	*M / E + Stud Size
	4 RADLOK™ + Lug Terminal	100	10.0			*M / E + Stud Size
	5 RADLOK™ + Ring Terminal	103	10.3			*M / E + Stud Size
	6 RADLOK™ + Blunt Cut	120	12.0			N/A
	7 RADLOK™ + Stripped					

*Note : For "Stud Size", M for Metric Unit & E for Imperial Unit. For example, M8 means the Stud Size is 8mm; E3/4 means the Stud Size is 3/4inch.

Ordering example

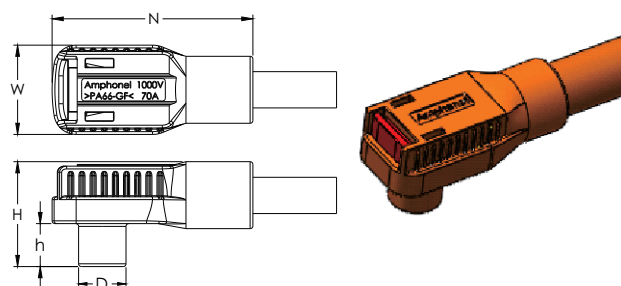


Amphenol



RADLOK™ Cable Assembly

RADSOK® Size (mm)	Recommended Cbl Size (mm ²)	RADSOK® Size (mm)				
		W	N	H	h	D
3.6	10	15.5	36.0	18.3	7.3	Φ 8.1
5.7	16 & 25	18.5	47.0	21.9	9.4	Φ 11.2
8.0	35 & 50	21.6	55.3	27.0	11.8	Φ 14.6
10.0	35 & 50	26.0	53.0	33.8	15.9	Φ 17.5
	70	26.0	63.2	34.3	15.9	Φ 17.5
	95	26.0	65.5	37.0	15.9	Φ 17.5
10.3	95	26.0	65.5	37.0	15.9	Φ 17.5
12.0	120	28.5	76.0	37.3	15.0	Φ 20.0

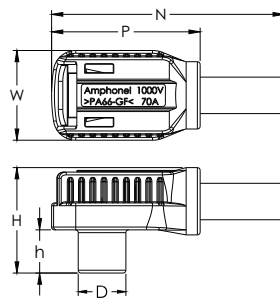
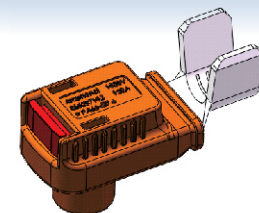
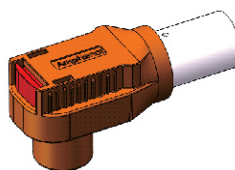


RADLOK™ Cable Assembly

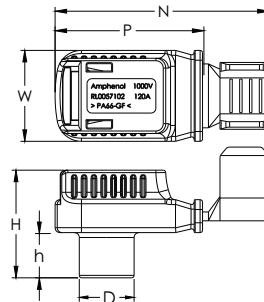
RADLOK™ Connector

RADLOK™ Connector Parameter (Tubular Version)

RADSOK® Size(mm)	RADSOK® Size (mm)					
	W	N	H	h	D	P
3.6	15.5	38.0	18.3	7.3	Φ 8.1	27.0
5.7	18.5	47.7	22.9	9.4	Φ 11.2	33.0
8.0	21.6	56.0	27.7	11.8	Φ 14.6	38.8
10.0	31.0	61.0	35.3	15.9	Φ 17.5	37.0
10.3	31.0	61.0	35.3	15.9	Φ 17.5	37.0
12.0	33.0	70.5	35.9	15.0	Φ 20.0	44.5



Tubular Lug Version



Stamped Lug Version

RADLOK™ Connector Parameter (Stamped Version)

RADSOK® Size(mm)	RADSOK® Size (mm)					
	W	N	H	h	D	P
5.7	18.5	46.0	21.9	9.2	Φ 11.2	30.0
8.0	21.7	54.4	27.7	12.5	Φ 14.6	34.3
10.0	25.7	65.0	33.3	16.1	Φ 17.5	35.7

RADLOK™ Connector Ordering Information

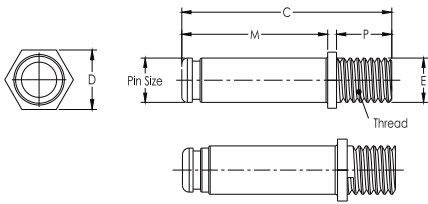
Product Type		(A) Termination Type		(B) RADSOK® Size (mm)		(C) Lug Type		(S) Cbl Size	(E) Connector Color	
RL	RADLOK™	0	RADLOK™ Connector	036	3.6	1	Tubular	Refer to "RADLOK™ Recommended Cable Size & Current" Chart		Blank for Orange
				057	5.7	2	Stamped		BK	Black
				080	8.0				RE	Red
				100	10.0					
				103	10.3					
				120	12.0					

Ordering example

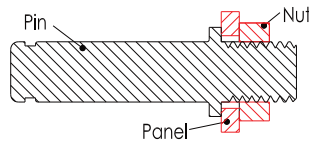
RADLOK™	RL	0	080	1	-	35	BK
(A)Termination Type :	RADLOK™ +Connector						
(B)RADSOK® Size :	Diameter 8mm						
(C)Lug Type :	Tubular						
(S)Cable Size :	35mm ²						
(E)Connector Color :	Black						

Amphenol

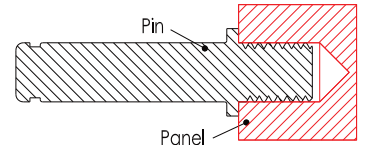
RADLOK™ Pin



Only for 10.0mm & 10.3mm



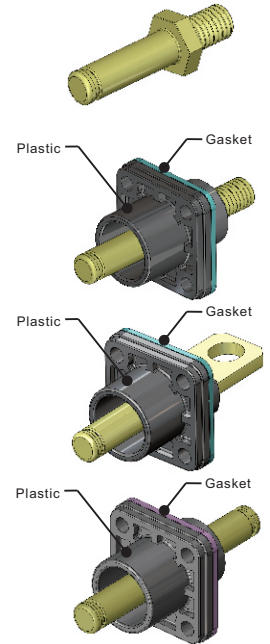
Instruction 1



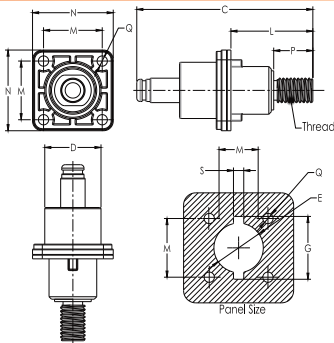
Instruction 2

RADLOK™ Pin Data

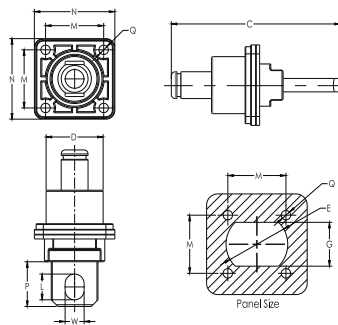
Pin Type	Pin End	RADLOK™ Pin Size (mm)	Current (A)	RADLOK™ Dimensions (mm)													Thread	Torque Force (N·m)																						
				C	D	E	G	L	M	N	P	Q	S	W																										
Pin	N/A	3.6	70	28.0	7.0	N/A	N/A	N/A	17.5	N/A	8.0	N/A	N/A	N/A	M 4 x 0.7-6g	2.5±0.2																								
		5.7	120	34.1	10.0				21.1		10.0				M 6 x 1.0-6g	4.0±0.4																								
		8.0	200	42.4	13.0				26.4		12.0				M 8 x 1.25-6g	7.5±0.5																								
		10.0	300	53.2	16.0				32.2		16.0				M 10 x 1.5-6g	20.0±1.0																								
		10.3	350	53.2	16.0				32.2		16.0				M 10 x 1.5-6g	20.0±1.0																								
		12.0	400	58.6	18.0				32.6		20.0				M 12 x 1.75-6g	24.0±1.0																								
Feed Thru Pin	Thread	3.6	70	43.9	Φ 11.9	Φ 11.9	15.2	22.2	14.0	21.0	8.0	M3	N/A	N/A	M 4 x 0.7-6g	2.5±0.2																								
		5.7	120	49.6	Φ 15.2	Φ 14.7	18.2	24.2	17.0	25.0	10.0	M4			4.2	M 6 x 1.0-6g	4.0±0.4																							
		8.0	200	56.4	Φ 19.6	Φ 18.2	23.7	25.0	21.0	30.0	12.0					M 8 x 1.25-6g	7.5±0.5																							
		10.0	300	67.0	Φ 23.0	Φ 20.6	25.7	29.0	24.0	33.0	16.0					M 10 x 1.5-6g	20.0±1.0																							
		10.3	350	67.0	Φ 23.0	Φ 20.6	25.7	29.0	24.0	33.0	16.0					M 10 x 1.5-6g	20.0±1.0																							
		12.0	400	72.0	Φ 25.5	Φ 23.3	27.7	33.0	26.0	36.0	20.0					M 12 x 1.75-6g	24.0±1.0																							
	Lug	3.6	70	46.7	Φ 11.9	Φ 12.5	10.3	5.0	14.0	21.0	13.5		M3	N/A		N/A	N/A	N/A																						
		5.7	120	53.6	Φ 15.2	Φ 14.5	12.4	7.0	17.0	25.0	16.0	M4	N/A		N/A				N/A																					
		8.0	200	62.5	Φ 19.6	Φ 22.1	15.6	10.0	21.0	30.0	22.5									M4	N/A	N/A	N/A																	
		10.0	300	70.0	Φ 23.0	Φ 25.6	17.6	12.5	24.0	33.0	24.0													M4	N/A	N/A	N/A													
		10.3	350	70.0	Φ 23.0	Φ 25.6	17.6	12.5	24.0	33.0	24.0																	M4	N/A	N/A	N/A									
		12.0	400	77.5	Φ 25.5	Φ 27.6	19.6	14.0	26.0	36.0	27.5																					M4	N/A	N/A	N/A					
	Pin	3.6	70	41.3	Φ 11.9	Φ 11.9	15.2	N/A	14.0	21.0	N/A			M3		2.8	N/A	N/A																		N/A				
		5.7	120	50.0	Φ 15.2	Φ 14.7	18.2		17.0	25.0		N/A	M4		4.2				N/A																		N/A	N/A		
		8.0	200	60.8	Φ 19.6	Φ 18.2	23.7		21.0	30.0										N/A	M4	4.2	N/A																N/A	N/A
		10.0	300	74.5	Φ 23.0	Φ 20.6	25.7		24.0	33.0														N/A	M4	4.2	N/A													
		10.3	350	74.5	Φ 23.0	Φ 20.6	25.7		24.0	33.0																		N/A	M4	4.2	N/A									
		12.0	400	78.0	Φ 25.5	Φ 23.3	27.7		26.0	36.0																						N/A	M4	4.2	N/A					



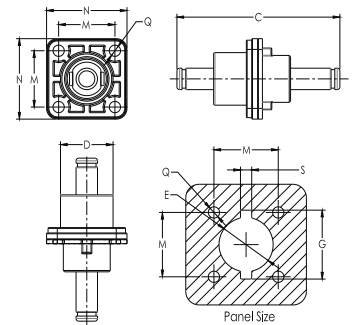
RADLOK™ Feed Thru Pin



RADLOK™ Feed Thru Pin (Pin - Thread)



RADLOK™ Feed Thru Pin (Pin - Lug)



RADLOK™ Feed Thru Pin (Pin - Pin)

RADLOK™ Pin Ordering Information

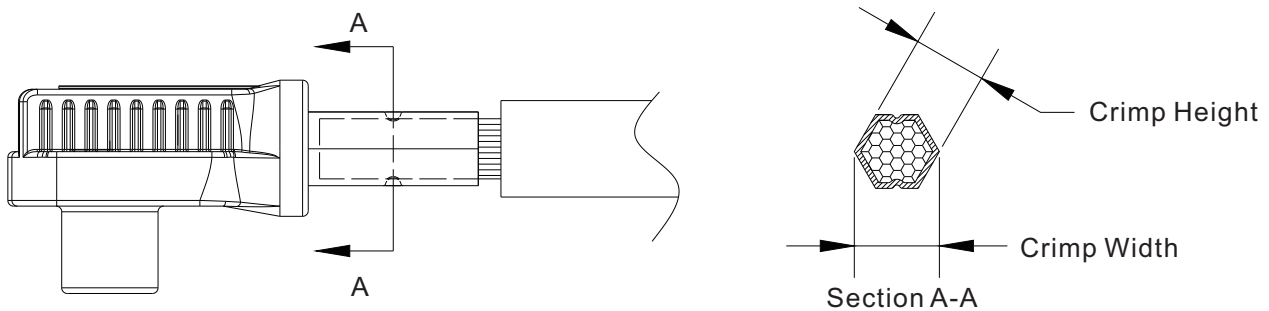
Product Type	(A) Termination Type	(B) RADLOK™ Size (mm)	(C) Pin End	(D) Plating Type	(E) Modification		
RL RADLOK™	9	RADLOK™ Pin	036	3.6	10 Thread	1 Silver	Blank for Standard Pin
			057	5.7	20 Lug	2 Tin	F1 Feed Thru Pin
			080	8.0	30 Pin-Pin	3 Nickel	
			100	10.0			
			103	10.3			
			120	12.0			

Ordering example

RADLOK™	RL	9	-	080	-	10	1	F1
(A) Terminal Type	: Pin							
(B) RADLOK™ Pin Size	: Diameter 8mm							
(C) RADLOK™ Pin End	: Thread							
(D) Plating	: Silver							
(E) Pin Type	: Feed Thru Pin							

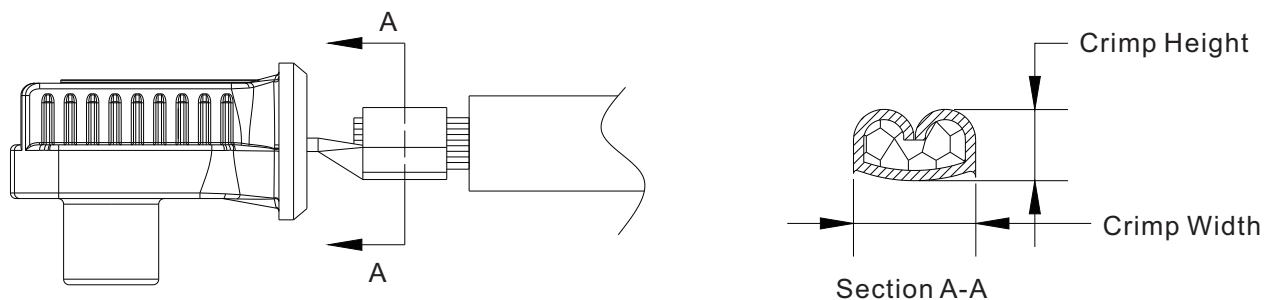
RADLOK™ Crimping Specification

RADLOK™ Connector Crimping Specification (Tubular Version)



Ordering Number	Wire Size (mm ²)	Crimp Height (mm)	Crimp Width (mm)	Pullout Force (N)
RL00361-35	10	5.5±0.1	6.0±0.1	600
RL00571-35	25	8.3±0.1	9.0±0.1	1900
RL00801-35	35	9.5±0.1	10.5±0.1	2200
RL00801-50	50	11.4±0.1	12.8±0.1	2700
RL01001-50	50	11.4±0.1	12.8±0.1	2700
RL01001-70	70	13.3±0.1	14.8±0.1	3300
RL01001-95	95	16.7±0.1	18.2±0.1	3700
RL01201-120	120	17.3±0.1	19.0±0.1	4000

RADLOK™ Connector Crimping Specification (Stamped Version)



Ordering Number	Wire Size (mm ²)	Crimp Height (mm)	Crimp Width (mm)	Pullout Force (N)
RL00362-35	10	5.0±0.1	7.4±0.1	600
RL00572-35	25	7.2±0.1	10.9±0.1	1900
RL00802-35	35	9.5±0.1	12.4±0.1	2200
RL00802-50	50	10.4±0.1	12.5±0.1	2700
RL01002-35	35	9.4±0.1	12.3±0.1	2200
RL01002-50	50	10.2±0.1	12.4±0.1	2200
RL01002-70	70	13.0±0.1	18.4±0.1	3300
RL01002-95	95	14.7±0.1	18.8±0.1	3700
RL01202-120	120	17.0±0.1	21.3±0.1	4000

The information contained in this data sheet is for reference only.

Notice: Specifications are subject to change without notice. Contact your nearest Amphenol Corporation Sales Office for the latest specifications. All statements, information and data given herein are believed to be accurate and reliable but are presented without guarantee, warranty, or responsibility of any kind, expressed or implied. Statements of suggestions concerning possible use of our products are made without representation or warranty that any such use is free of patent infringement and are not recommendations to infringe any patent. The user should assume that all safety measures are indicated or that other measures may not be required. Specifications are typical and may not apply to all connectors. AMPHENOL is a registered trademark of Amphenol Corporation.

For further information on your individual application requirements, contact: Amphenol Corporation

Amphenol Technical Products
International Co.
2110 Notre Dame Avenue Winnipeg, MB
Canada R3H 0K1
Telephone: 1-204-697-2222
Fax: 1-204-694-6164
www.tpil.com

Amphenol Sincere Flex Circuits Co., Ltd.
No. A, WanAn Industrial Park LanHe Town, Nansha
District, Guangzhou - China 511480
Telephone: 020-3483-9801
Fax: 020-3483-9800
www.amphenol-gasf.com

Amphenol Industrial Operations
40-60 Delaware Street Sindy, New York
13838-1395 - USA
Telephone: 020-3483-9801
Fax: 020-3483-9800
www.amphenol-industrial.com

X-ON Electronics

Largest Supplier of Electrical and Electronic Components

Click to view similar products for [amphenol manufacturer](#):

Other Similar products are found below :

[CTV06RGQF-17-52P](#) [CTVPS00RGF-23-6P-LC](#) [GC835TY2S](#) [CF-509621-29P](#) [BF8-1218-31SV-Y70](#) [TVP00RGW-23-6SA\(LC\)](#)
[RNJ27CI1535P014](#) [10-553998-139](#) [21-033388-031](#) [10-507142-843](#) [GTS06G-32-7S](#) [GTC06-36-78PX-023](#) [ACC02E28-51S-003-B30-LC](#)
[TV06RL-13-35SD-LC](#) [TV06RL-13-35SD](#) [TV06RL-13-98SD-LC](#) [TV06RL-13-98SD](#) [GTC08AF32-15SX-B30-LC](#) [GTC06G32-76PZ](#)
[TVP00RW-23-53AD](#) [100-007-213-002-001](#) [5M30-61](#) [FSPP-103-00-004](#) [360031](#) [10-037090-161](#) [10-541504-001](#) [10-580902-409](#) [TV97RW-](#)
[9-9S\(S15\)](#) [TVPS00RGF-9-5P-LC](#) [TVPS00RGF-9-5PA-LC](#) [TVP00RGQW-21-75P-LC](#) [TV06RW-25-90AE](#) [97-3108B16S-5PW-417](#) [PT06J20-](#)
[24SW](#) [97-3108B16S-4PY-417](#) [97-3108B16S-4PX-417](#) [97-3108B16S-5PY-417](#) [97-3108B16S-4PW-417](#) [CS-DSDMDB37MF-025](#) [97-](#)
[3108B16S-5PZ-417](#) [TV06RW-25-46AE](#) [TVS07RF-21-16AA](#) [TVS07RF-21-39BA](#) [60261626SNCOND1](#) [SE00TVW09](#) [CF-5A9013-04N](#) [CF-](#)
[6A4615-06N](#) [GTS01-22-22PX-025-116](#) [GTS01-22-22P-025-116](#) [GTS01-22-22P-116](#)