

# Amphenol®

## RoboLok™



### RoboLok™ Features:

RoboLok™ is a 3 position, high current primary circuit connector. Featuring Amphenol® **RADSOK®** technology, it delivers superior performance over a broad range of wire gages. RoboLok™ performs well in harsh environments, and can hit up to 240A (continuous) with a 60K T-Rise. RoboLok™ is ideal for industrial robots and other harsh industrial applications.

- 2+PE Configuration with FMLB
- 1,000V AC or DC; 50Hz—3kHz
- Light Weight Composite Housing
- Compact, Modular Design and High Current Ratings from RADSOK®
- 240A Current Rating (60K T-Rise)
- Quick Disconnect Solutions for Minimized Downtime
- Tool-less Assembly and Easy Maintenance



Powered by Amphenol®  
**RADSOK® Technology**



# Amphenol®

## Product Specifications:

### Mechanical

Number of Poles	2+PE Configuration with FMLB
Terminal	8.00mm RADSOK® R4 & PIN
Mating Cycling	Min. 500

### Electrical

Max Current Rating	240A (60K T-Rise) / UL: 200A (40K T-Rise)
Voltage Rating	1000V DC/AC
Dielectric Withstand Voltage	3,5kV (50Hz, 1min)

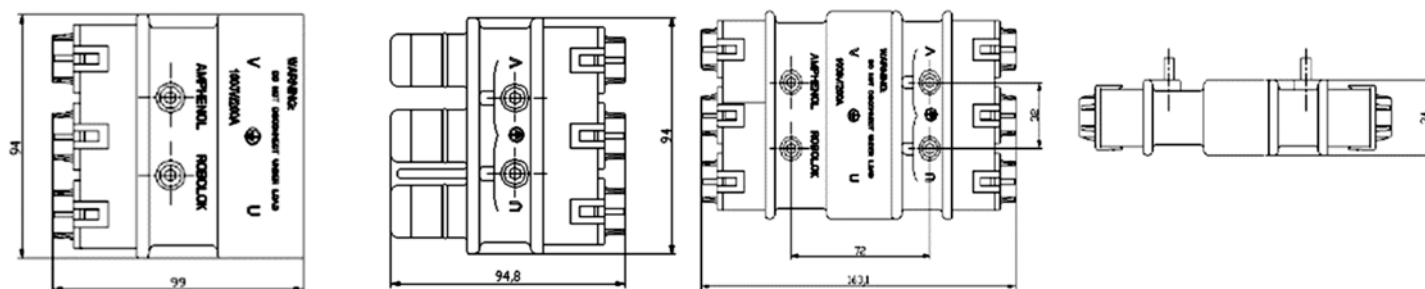
### Environmental

Protection when Mated	IP67
Temperature Range	-40°C~ +100°C
Flammability Protection	UL 94-V0

### Standards

UL1977 (In Progress)
IEC 61984
DIN VDE 0298-4/ 2003-08

### Dimensions



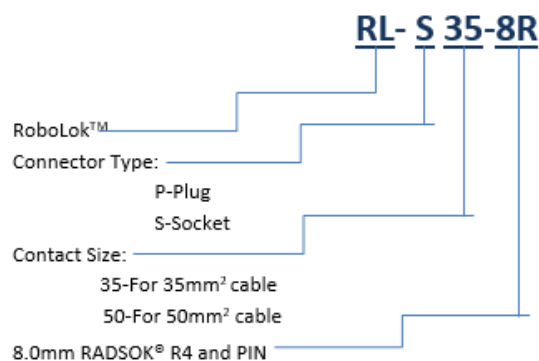
## Current RoboLok™ Sizes

### Contact System with 8.00mm RADSOK® R4

4 AWG   25mm <sup>2</sup>	100A (40K T-Rise)
2 AWG   35mm <sup>2</sup>	150A (40K T-Rise)
1/0 AWG   50mm <sup>2</sup>	200A (40K T-Rise)



## How to Order:



## X-ON Electronics

Largest Supplier of Electrical and Electronic Components

*Click to view similar products for [Power to the Board](#) category:*

*Click to view products by [Amphenol](#) manufacturer:*

Other Similar products are found below :

[6450171-4](#) [6450552-7](#) [6600323-8](#) [6643429-1](#) [6646040-2](#) [6651939-1](#) [6766604-1](#) [120959-1](#) [1393557-2](#) [1393532-2](#) [1393532-3](#) [1393532-4](#)  
[1393557-1](#) [1600812-5](#) [1-6450861-2](#) [1744132-7](#) [1761122-1](#) [1766250-1](#) [1892109-1](#) [2-6450860-5](#) [2-6450870-0](#) [1-6450161-4](#) [1-6450850-6](#) [1-](#)  
[6450869-6](#) [1645526-2](#) [1-6600130-0](#) [2005243-2](#) [TE34-12-16P-F0](#) [5-6450830-6](#) [5646956-4](#) [4-6450830-9](#) [4-6600333-3](#) [10125416-4050LF](#)  
[6600320-3](#) [3-6450860-5](#) [1888123-2](#) [6450166-1](#) [6643978-1](#) [6766605-1](#) [N11444](#) [6651938-1](#) [6450810-7](#) [46437-1112](#) [1-1589677-8](#) [5646956-5](#)  
[6450813-2](#) [6450129-4](#) [1645523-1](#) [PSS-06-01-T-S](#) [0465621864](#)