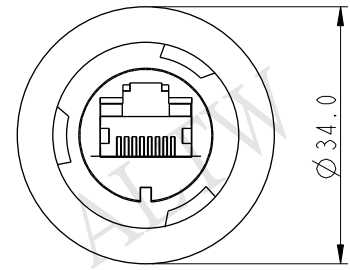
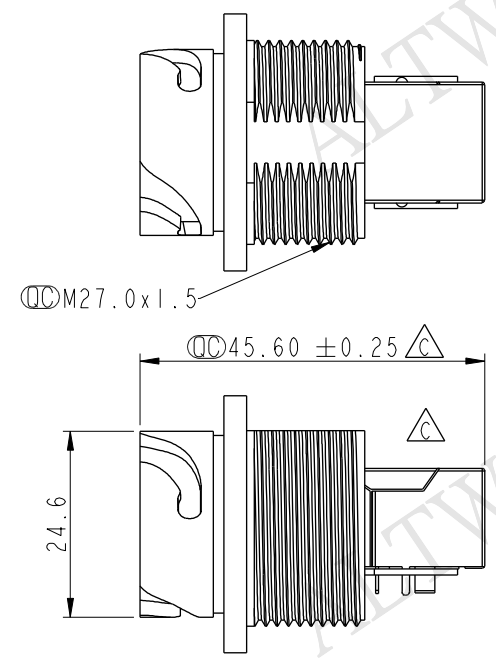
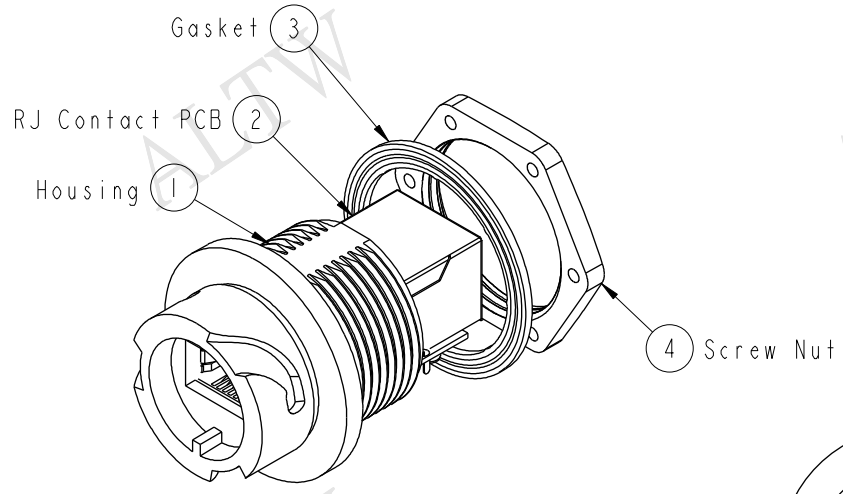
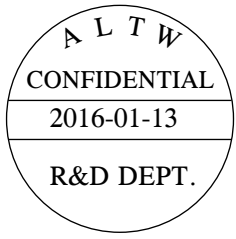
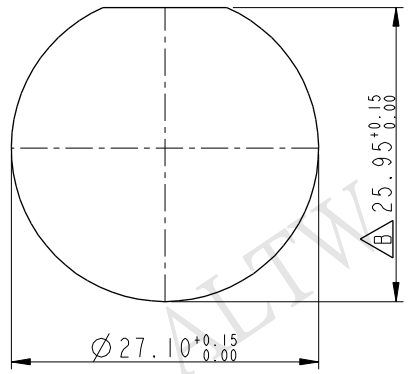


THIS DOCUMENT IS SUBJECT TO CHANGE WITHOUT NOTICE. IT IS CONFIDENTIAL AND A PROPERTY OF Amphenol LTW. DISCLOSURE TO THIRD PARTY HAS TO BE AUTHORIZED BY Amphenol LTW.

REV.	ECN NO.	DATE	SIGN	DESCRIPTION
B	LEN1370002	2013/07/06	Cary	Change Note & Panel Cut-out
C	LEN13A0049	2013/10/15	Raison	Modify Jack PN, Note Panel THK
D	LEN1610289	2016/01/13	Ruru	Change Note



Recommended Panel Cut-out



- Note:
- * \varnothing Important Dimension
 - * Waterproof Rate: IP67 (Unmated Waterproof)
 - * Housing: Nylon+GF, BLACK
 - * RJ45 Jack: Cat 5e, Shield
 - \triangle * Gasket: Silicone, UL 94V-0, Black.
 - * Screw Nut: Nylon+GF, BLACK
 - * Contact: Phosphor Bronze, Gold Flash Over Nickel
 - \triangle * For Panel Thickness Max: 9.0mm
 - \triangle * Screw torsion value range: 8~15kgf-cm
 - \triangle * Temperature Range: -40°C to 105°C
 - \triangle * All Parts Should Meet RoHS Compliant.

UNIT: mm		TITLE		Amphenol LTW	ITEM NO	DRAWN BY	DATE
		RJ45 ODVA, PANEL, REAR LOCK UNMATED WATERPROOF			ROP-5SRFFH-TCU7001	Ruru	2016-01-13
TOLERANCE		SCALE	SIZE	安費諾亮泰企業股份有限公司	DWG NO	CHECKED BY	DATE
.X ±0.25		1:1	A4		ROP-5SRFFH-TCU7001	Rita	2016-01-13
.XX ±0.1		REV.	WC-REV.	ALTW	CUSTOMER	APPROVED BY	DATE
.XXX ±0.05		D	B.6		ALTW	Lisa	2016-01-13
ANGLES ±1°		\varnothing : Inspection item					

X-ON Electronics

Largest Supplier of Electrical and Electronic Components

Click to view similar products for [Modular Connectors / Ethernet Connectors](#) category:

Click to view products by [Amphenol](#) manufacturer:

Other Similar products are found below :

[8949-H88/06BLKA/SN](#) [74441-0010/BKN](#) [MP1010RX-1000](#) [MP44RX-1000](#) [PHJ-4P4C-1-V-4](#) [PHP-6P6C-5](#) [GAX-3-66](#) [GAX-8-62](#) [GDCX-PA-66-50](#) [GDCX-PN-64](#) [GDCX-PN-66](#) [GDCX-PN-66-50](#) [GDLX-A-66](#) [GDLX-N-66](#) [GDLX-S-66](#) [GDLX-S-88K](#) [GDTX-S-88-50](#) [GDX-PA-1010](#) [GLX-N-1010M-BLK](#) [GLX-S-88M-BLK](#) [GMX-N-1010](#) [GMX-S-1010](#) [GMX-S-66](#) [GMX-SMT4-N-88](#) [GPX-2-64](#) [GSGX-N-2-88](#) [GSGX-N-4-88](#) [GSX-NS2-88-3.05-50](#) [PT-108A-8C-UL](#) [PT-J951-8C](#) [PTS-J531-8CS-50UL](#) [1-1775629-2](#) [A-2014-0-4](#) [GWLX-S-88-GR](#) [GWLX-S9-88-YG](#) [DC-1021-8-WH-6](#) [1300530003](#) [1324640-4](#) [RJ11FTVC2G](#) [RJ11FTVC2N](#) [RJFTVX2SA1G](#) [132764-001](#) [1413235](#) [MP88X-1000](#) [MPS88RX-5000](#) [MRJR-5481-0F2](#) [E5288-S000K3-L](#) [E5908-15A242-L](#) [155302-001](#) [AX100653](#)