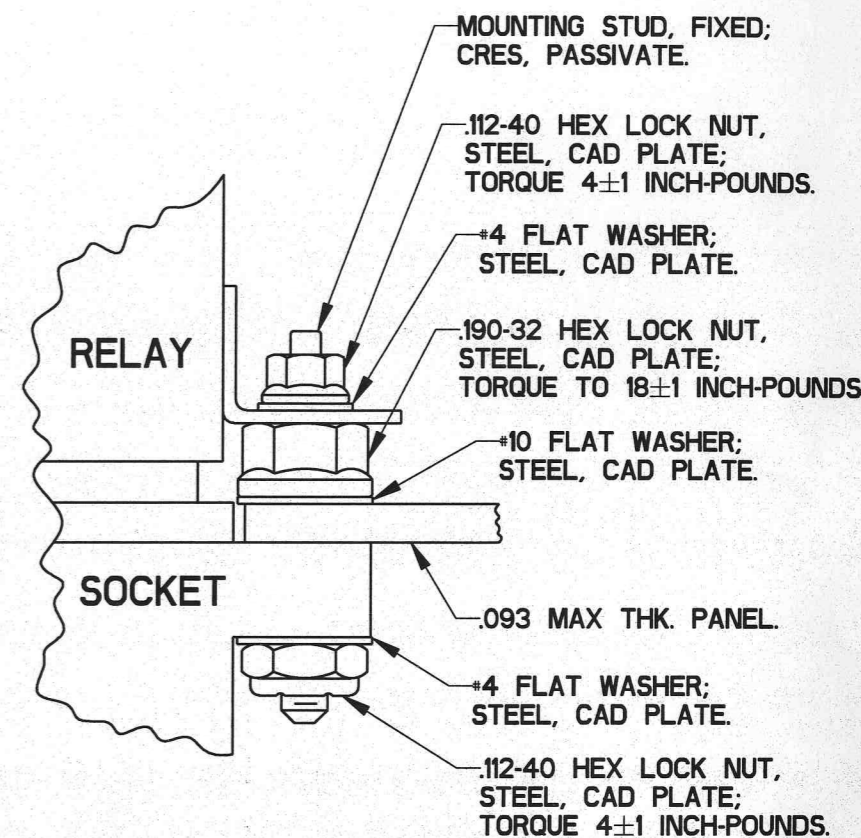
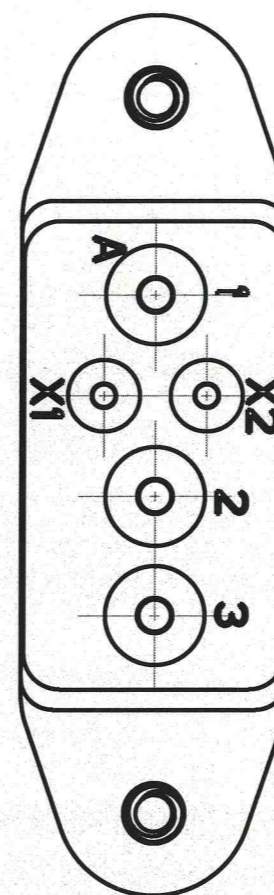
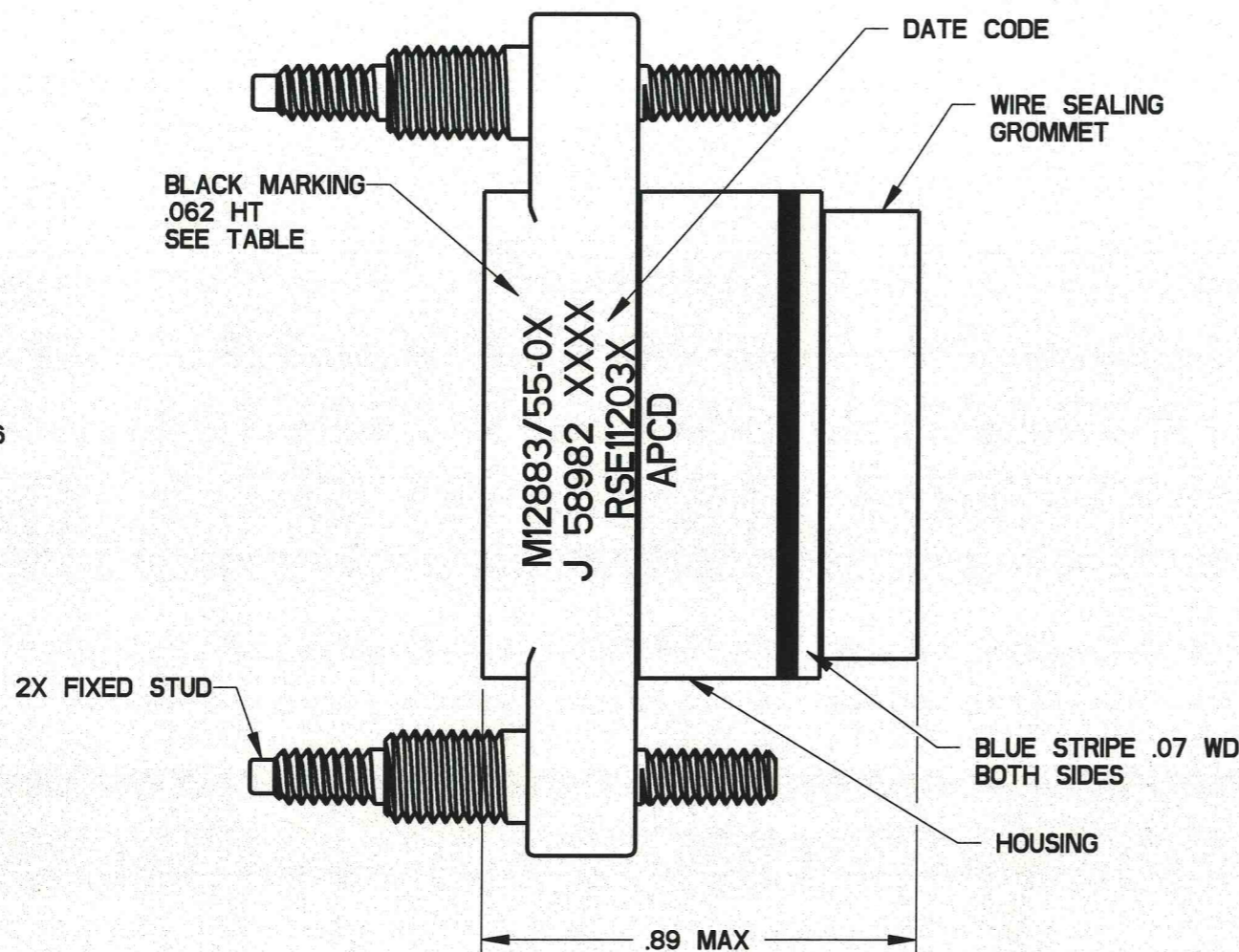
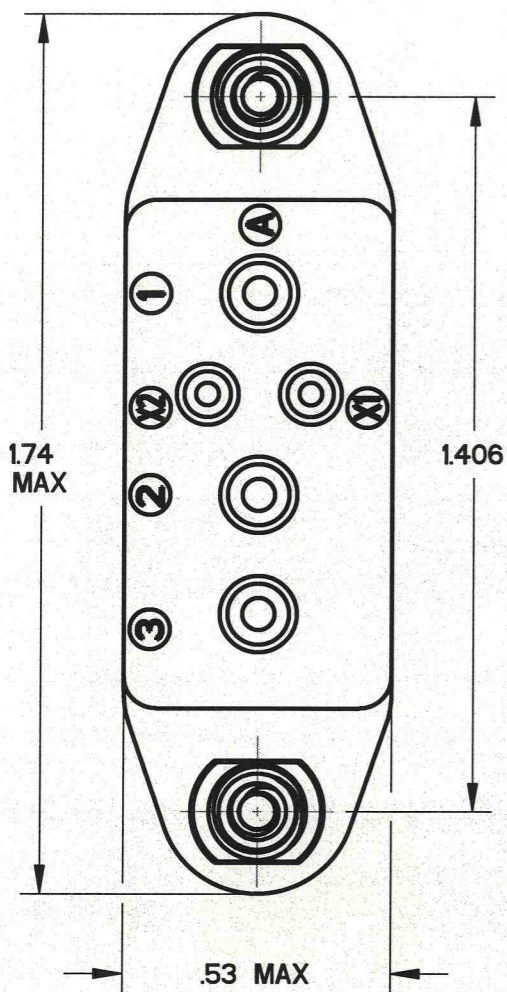


REV	ECN	APP'D
A	6494	<i>DP 3/4/10</i>



**MOUNTING HARDWARE**  
TYP 2 PLACES

RSE112034

RSE112034

**NOTES:**

- CONFORMS TO PERFORMANCE REQUIREMENTS OF MIL-DTL-12883.
- MATERIALS:**  
HOUSING: POLYETHERIMIDE, COLOR: BLUE GREEN.  
GROMMET - SILICONE RUBBER PER A-A-59588, 50±10 DUROMETER, COLOR: RED
- SOCKET CONTACTS CONFORM TO PERFORMANCE REQUIREMENTS OF MIL-C-39029/92.
- COMPLETE MOUNTING HARDWARE SUPPLIED.
- OPERATING TEMPERATURE -70°C TO 125°C.
- CONTACT INSTALLATION TOOLS:**  
\* 12 CONTACT - CRIMP TOOL: M22520/1-01  
POSITIONER: M22520/1-02  
INSERTION/REMOVAL: M81969/14-04  
\* 16 CONTACT - CRIMP TOOL: M22520/1-01  
POSITIONER: M22520/1-02  
INSERTION/REMOVAL: M81969/14-03

RELAY SOCKET P/N		SUPPLIED CONTACTS				MARKING
MILITARY	APCD	SIZE	MIL P/N	APCD P/N	QTY	
M12883/55-01	RSE112034	CONTACTS NOT SUPPLIED				M12883/55-01 J 58982 XXXX RSE112035
	RSE112035	12/12	M39029/92-535	CNS128900	3	
M12883/55-02	RSE112036	16/16	M39029/92-533	CNS126900	2	M12883/55-02 J 58982 XXXX RSE112036
		12/16	M39029/92-536	CNS129900	3	
	RSE112039	CONTACTS NOT SUPPLIED				

<b>DIMENSIONS</b> ANSI Y14.5M UNITS: INCHES Pro/E FILE	<b>TOLERANCES</b> .XX ±0.01 .XXX ±0.005 ANGLES ±2.0°	<b>PROJECTION</b> 	<b>Amphenol Pcd</b> SPECIFICATION DRAWING ENGR M. DIGIACOMO 3/2/2010	<b>TITLE</b> RELAY SOCKET (3) SIZE 12, (2) SIZE 16 M12883/55
<b>ORIGINAL</b> 	THIS DOCUMENT CONTAINS PROPRIETARY INFORMATION WHICH IS THE CONFIDENTIAL PROPERTY OF AMPHENOL PCD INC. BEVERLY, MA, USA		CHKD <i>[Signature]</i> 3/4/10 APPD <i>[Signature]</i> 3/4/10	SIZE <b>B</b> DWG NO. <b>RSE112034</b> REV <b>A</b>
			CODE: 58982	SHEET 1 OF 1

## X-ON Electronics

Largest Supplier of Electrical and Electronic Components

*Click to view similar products for [Relay Sockets & Fixings](#) category:*

*Click to view products by [Amphenol](#) manufacturer:*

Other Similar products are found below :

[00008258500](#) [00111976502](#) [0000-825-81-00](#) [60SY4S05](#) [M41G](#) [670-0125](#) [670-0127](#) [6700152](#) [670-0153](#) [6700156](#) [D258-2TS00](#) [70-309](#) [7-1393143-3](#) [7-1616360-5](#) [8000-DG2-5](#) [911361](#) [9-1616339-5](#) [PJF11N](#) [GDA12HA](#) [GDA12HD](#) [GDA12SA](#) [GDA12SD](#) [GDA16HD](#) [GDA22HA](#) [GDA95A](#) [GDA95D](#) [GFX20](#) [PT08QN](#) [PT 1/8 D = 3.2](#) [GUA1](#) [GUA2-11](#) [GUA4-04](#) [GUA4-31](#) [GUM5R](#) [GUR-277](#) [GURX-277](#) [GUW12](#) [GUW95](#) [GUZ63L](#) [R99-11 FOR MY\(NAMEPLATE\)](#) [D52PR2T](#) [RES100K](#) [1310H-HDC](#) [1390H-1ST](#) [1393824-3](#) [1390H-2PC](#) [1410-2SM](#) [1410-3SM](#) [1419106-5](#) [RMOB 1-24 JR](#)