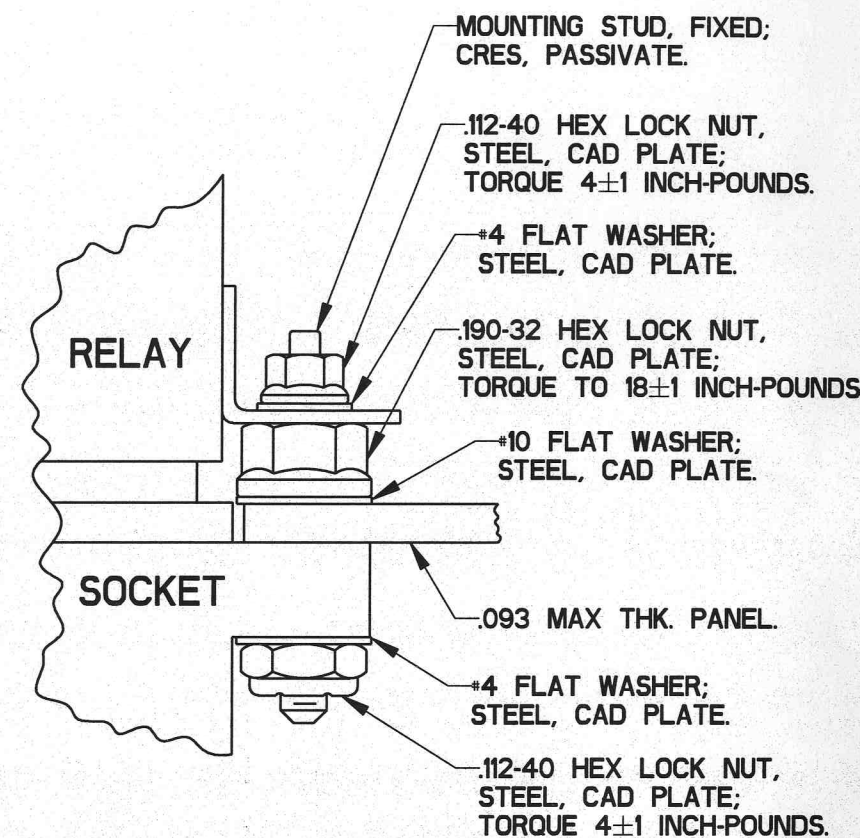
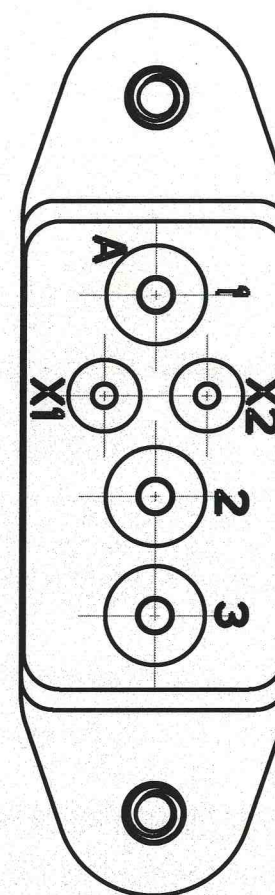
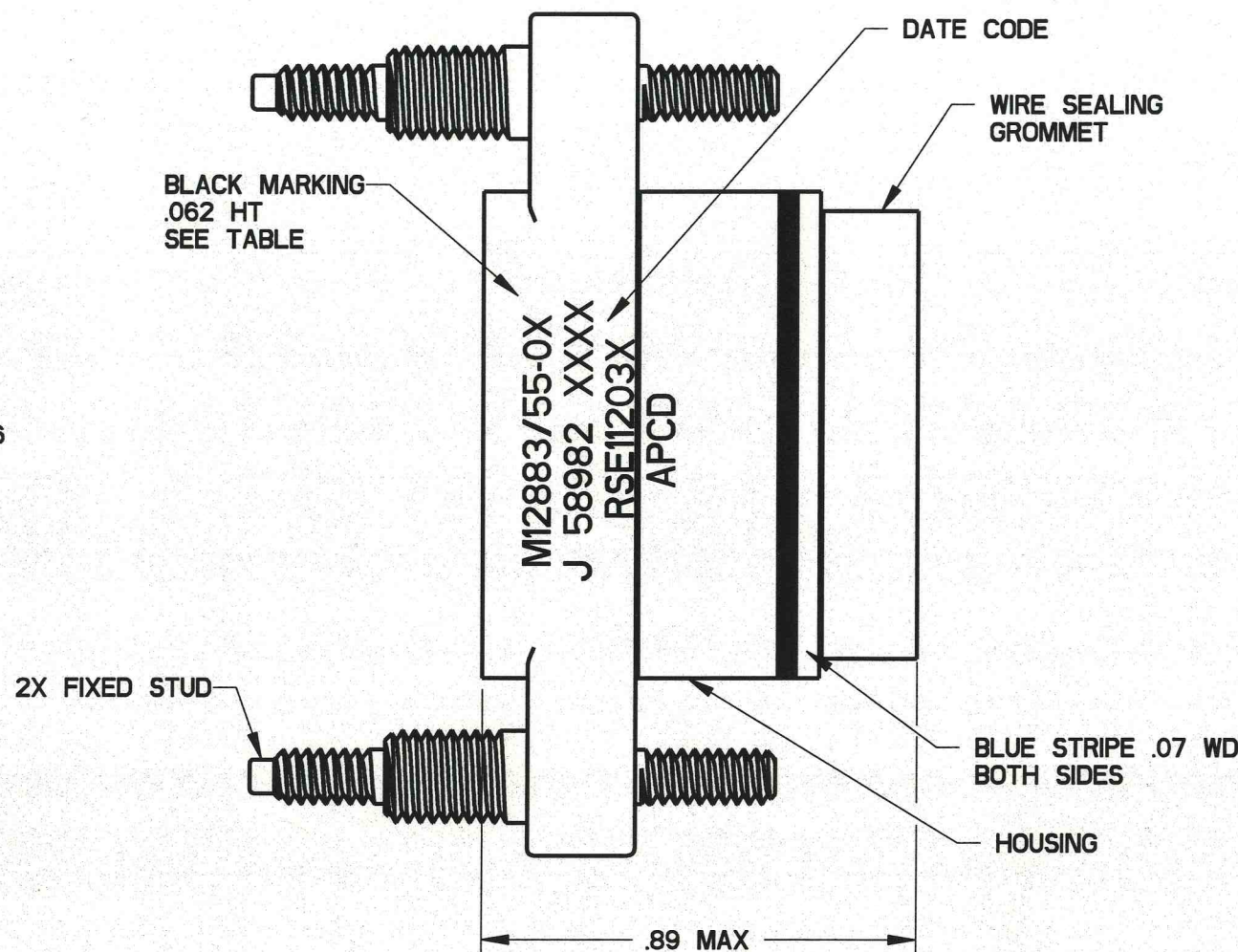
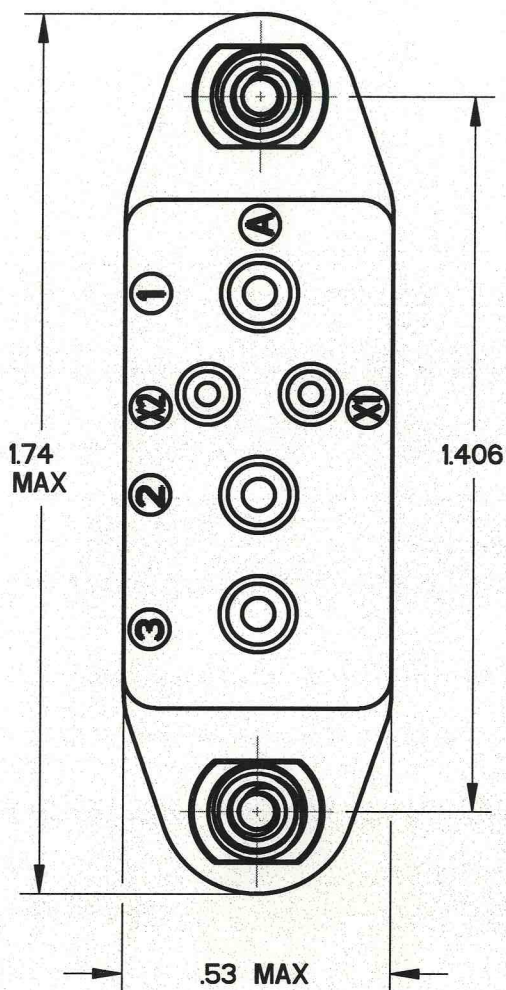


REV	ECN	APP'D
A	6494	<i>DP 3/4/10</i>



**MOUNTING HARDWARE**  
TYP 2 PLACES

RSE112034

RSE112034

**NOTES:**

- CONFORMS TO PERFORMANCE REQUIREMENTS OF MIL-DTL-12883.
- MATERIALS:**  
HOUSING: POLYETHERIMIDE, COLOR: BLUE GREEN.  
GROMMET - SILICONE RUBBER PER A-A-59588, 50±10 DUROMETER, COLOR: RED
- SOCKET CONTACTS CONFORM TO PERFORMANCE REQUIREMENTS OF MIL-C-39029/92.
- COMPLETE MOUNTING HARDWARE SUPPLIED.
- OPERATING TEMPERATURE -70°C TO 125°C.
- CONTACT INSTALLATION TOOLS:**  
\* 12 CONTACT - CRIMP TOOL: M22520/1-01  
POSITIONER: M22520/1-02  
INSERTION/REMOVAL: M81969/14-04  
\* 16 CONTACT - CRIMP TOOL: M22520/1-01  
POSITIONER: M22520/1-02  
INSERTION/REMOVAL: M81969/14-03

RELAY SOCKET P/N		SUPPLIED CONTACTS				MARKING
MILITARY	APCD	SIZE	MIL P/N	APCD P/N	QTY	
M12883/55-01	RSE112034	CONTACTS NOT SUPPLIED				M12883/55-01 J 58982 XXXX RSE112035
	RSE112035	12/12	M39029/92-535	CNS128900	3	
M12883/55-02	RSE112036	16/16	M39029/92-533	CNS126900	2	M12883/55-02 J 58982 XXXX RSE112036
		12/16	M39029/92-536	CNS129900	3	
	RSE112039	CONTACTS NOT SUPPLIED				

<b>DIMENSIONS</b> ANSI Y14.5M UNITS: INCHES Pro/E FILE	<b>TOLERANCES</b> .XX ±0.01 .XXX ±0.005 ANGLES ±2.0°	<b>PROJECTION</b> 	<b>Amphenol Pcd</b> SPECIFICATION DRAWING ENGR M. DIGIACOMO 3/2/2010	<b>TITLE</b> RELAY SOCKET (3) SIZE 12, (2) SIZE 16 M12883/55
<b>ORIGINAL</b> 	THIS DOCUMENT CONTAINS PROPRIETARY INFORMATION WHICH IS THE CONFIDENTIAL PROPERTY OF AMPHENOL PCD INC. BEVERLY, MA, USA		CHKD <i>[Signature]</i> 3/4/10 APPD <i>[Signature]</i> 3/4/10	SIZE <b>B</b> DWG NO. <b>RSE112034</b> REV <b>A</b>
			CODE: 58982	SHEET 1 OF 1



## X-ON Electronics

Largest Supplier of Electrical and Electronic Components

*Click to view similar products for [Relay Sockets & Hardware](#) category:*

*Click to view products by [Amphenol](#) manufacturer:*

Other Similar products are found below :

[7-1393143-3](#) [7-1616347-8](#) [7-1616350-5](#) [8-1616360-6](#) [9-1616339-5](#) [9-1616358-1](#) [9-1616359-7](#) [9-1616360-2](#) [PLC-10](#) [PT08QN](#) [PT 1/8 D =](#)  
[3.2](#) [12082001](#) [R99-11 FOR MY\(NAMEPLATE\)](#) [RES100K](#) [1393824-3](#) [1415526-1](#) [1419106-5](#) [1423683-1](#) [1415037-1](#) [14486001](#) [1423685-1](#)  
[MS-24H](#) [16-1328](#) [1616339-8](#) [MT78N60](#) [17540001](#) [20584002](#) [20C419](#) [2-1393102-4](#) [2-1419106-9](#) [2-1608090-1](#) [P70A AC100/110](#) [PB-4H](#)  
[21B212](#) [RSE120027](#) [9-1616337-0](#) [9-1616337-6](#) [9-1616358-3](#) [27E1038](#) [27E448](#) [S82Y-RN](#) [2944533](#) [LMC-1](#) [16-1340](#) [16154040](#) [1618065-7](#)  
[9P40X1](#) [17891020](#) [17892040](#) [1810DB-SX](#)