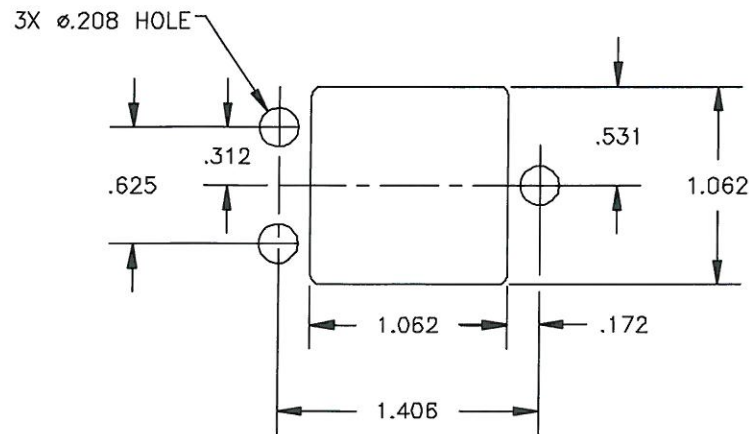
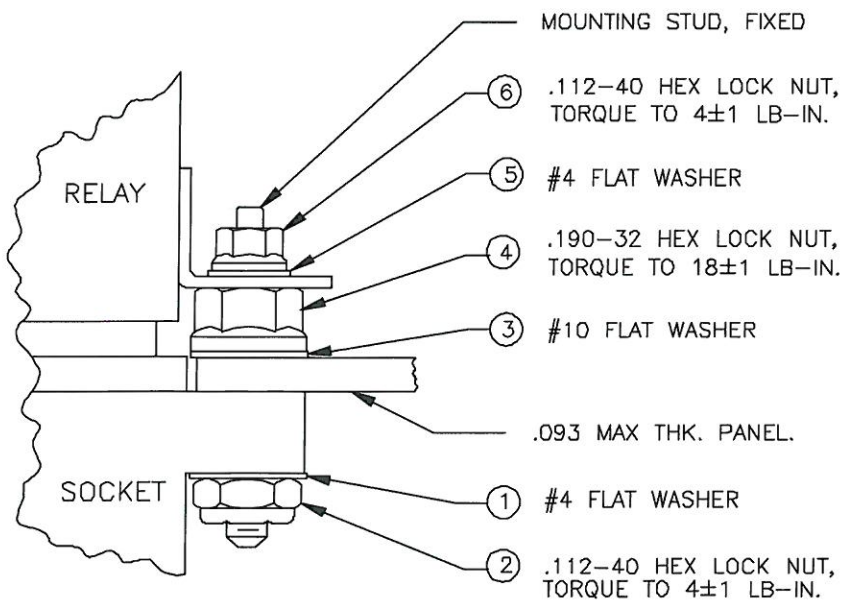


REV	ECN	APP'D
N	2949	
O	5430	JT 8/27/04
P	6686	<i>JT 4/1/11</i>

BILL OF MATERIALS		QTY		
P/N	DESCRIPTION	RSE112115	RSE112116	RSE112117
200002801	HEX NUT SLF LKG #4-40 #704	6	6	6
200002501	HEX NUT SLF LKG #10-32 MS21042	3	3	3
200002901	FLT WASHER #10 PSVTD #504	3	3	3
200003820	STL HEX NUT SLF LKG 4-40	6	6	6
005111400	3.5"DRAM UNCAPPED VIAL/CAP	1	-	1
CNS126900	M39029/92-533 CONTACT SZ16/16	2	-	2
CNS128900	M39029/92-535 CONTACT SZ12/12	-	-	9
CNS129900	M39029/92-536 CONTACT SZ12/16	9	-	-

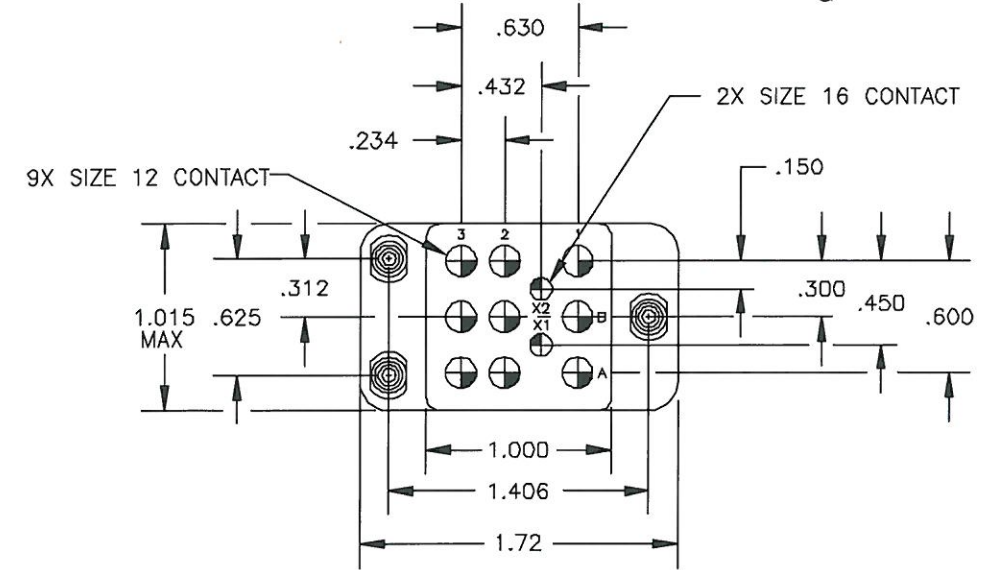
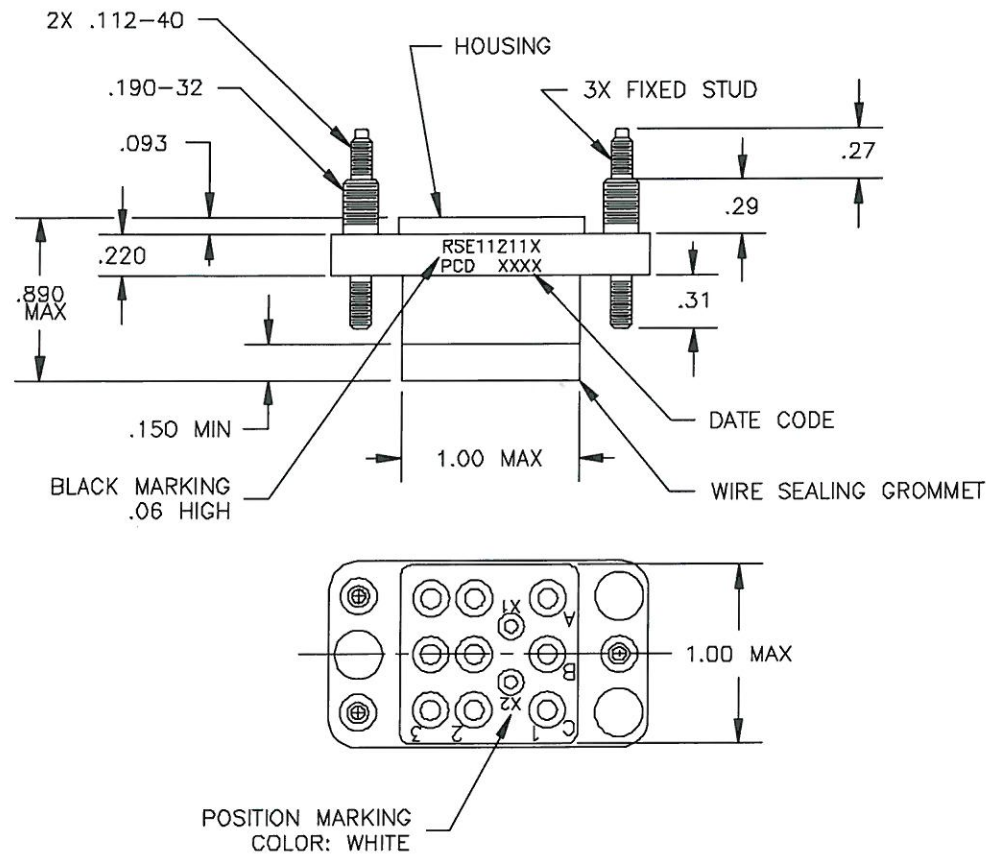


RECOMMENDED MOUNTING PANEL HOLE



MOUNTING HARDWARE

INSTALLATION SEQUENCE BY ITEM NUMBER
TYP 3 PLACES



- NOTES:
- CONFORMS TO PERFORMANCE REQUIREMENTS OF MIL-S-12883.
 - MATERIALS:
 - A. HOUSING - POLYETHERIMIDE, COLOR: BLUE-GREEN.
 - B. GROMMET - SILICONE ELASTOMER, COLOR: RED.
 - SOCKET CONTACTS CONFORM TO PERFORMANCE REQUIREMENTS OF MIL-C-39029, GOLD OVER NICKEL PLATE.
 - COMPLETE MOUNTING HARDWARE SUPPLIED.
 - OPERATING TEMPERATURE: +125°C/-65°C CONTINUOUS.
 - CONTACT INSTALLATION TOOLS:

	#12 CONTACT	#16 CONTACT
CRIMP TOOL:	M22520/1-01	M22520/1-01
POSITIONER:	M22520/1-02	M22520/1-02
INSERTION/REMOVAL:	M81969/14-04	M81969/14-03.

DIMENSIONS ANSI Y14.5M UNITS: INCHES ACAD FILE	TOLERANCES .XX ±.01 .XXX ±.005 ANGLES ±2°	PROJECTION 	SPECIFICATION DRAWING ENGR A. PATRIE 8/13/97 CHKD <i>[Signature]</i> 4/1/11 APPR <i>[Signature]</i> 4/1/11	SIZE B	TITLE FIXED STUD SIZE 12 & 16	DWG NO. RSE112115	REV P
ORIGINAL 	THIS DOCUMENT CONTAINS PROPRIETARY INFORMATION WHICH IS THE CONFIDENTIAL PROPERTY OF PCD, INC. PEABODY, MA, USA		CODE: 58982	SCALE: 1X	SHEET 1 OF 1		

RSE112115

RSE112115

X-ON Electronics

Largest Supplier of Electrical and Electronic Components

Click to view similar products for [Standard Circular Contacts](#) category:

Click to view products by [Amphenol](#) manufacturer:

Other Similar products are found below :

[RC16M23J](#) [133780-1](#) [RM20M13D28](#) [RM24M9D28](#) [MS3474W10-6P L/C](#) [ELVP16100E](#) [164-901-CD](#) [EN3545007SCE](#)
[BV002BSQ20049CZ](#) [BV002SSQ160404CZ](#) [1900ND05S1B00B](#) [192900-0061](#) [192900-0575](#) [192900-0718](#) [166566-1](#) [1900ND04S1X00D](#)
[192900-0058](#) [192900-0309](#) [ST-JL05-16S-C3-100](#) [ST-JL05-20S-C1-100](#) [ST-JL05-20S-C2-100](#) [T01-CRIMP-S03](#) [APK-SA16A07-002](#) [CONT-](#)
[JL05-08S-C2-10](#) [RC16M-23T](#) [RFD26L-1D28](#) [BV002ASJ16049CW](#) [JN1-22-20S-R-PKG100](#) [031-50565](#) [ELFH08251](#) [SJS861301M](#) [ST-](#)
[JL05-16S-C1-100](#) [ST-JL05-20P-C1-100](#) [82911466K](#) [ESLM03200](#) [192991-0087](#) [192900-0570](#) [ELFH07251](#) [44-104-10003-02](#) [T3P16FC3LZ](#)
[ST-JL05-16S-C2-3500](#) [ZP-4016-10NF](#) [CONT-JL05-12P-C1-10](#) [RM20M12G8D28](#) [031-50676](#) [12115010110](#) [RJFTVC2MG](#) [CAP-](#)
[DACMDPC2](#) [031-50675-002](#) [CAP-DD1FDPC2](#)