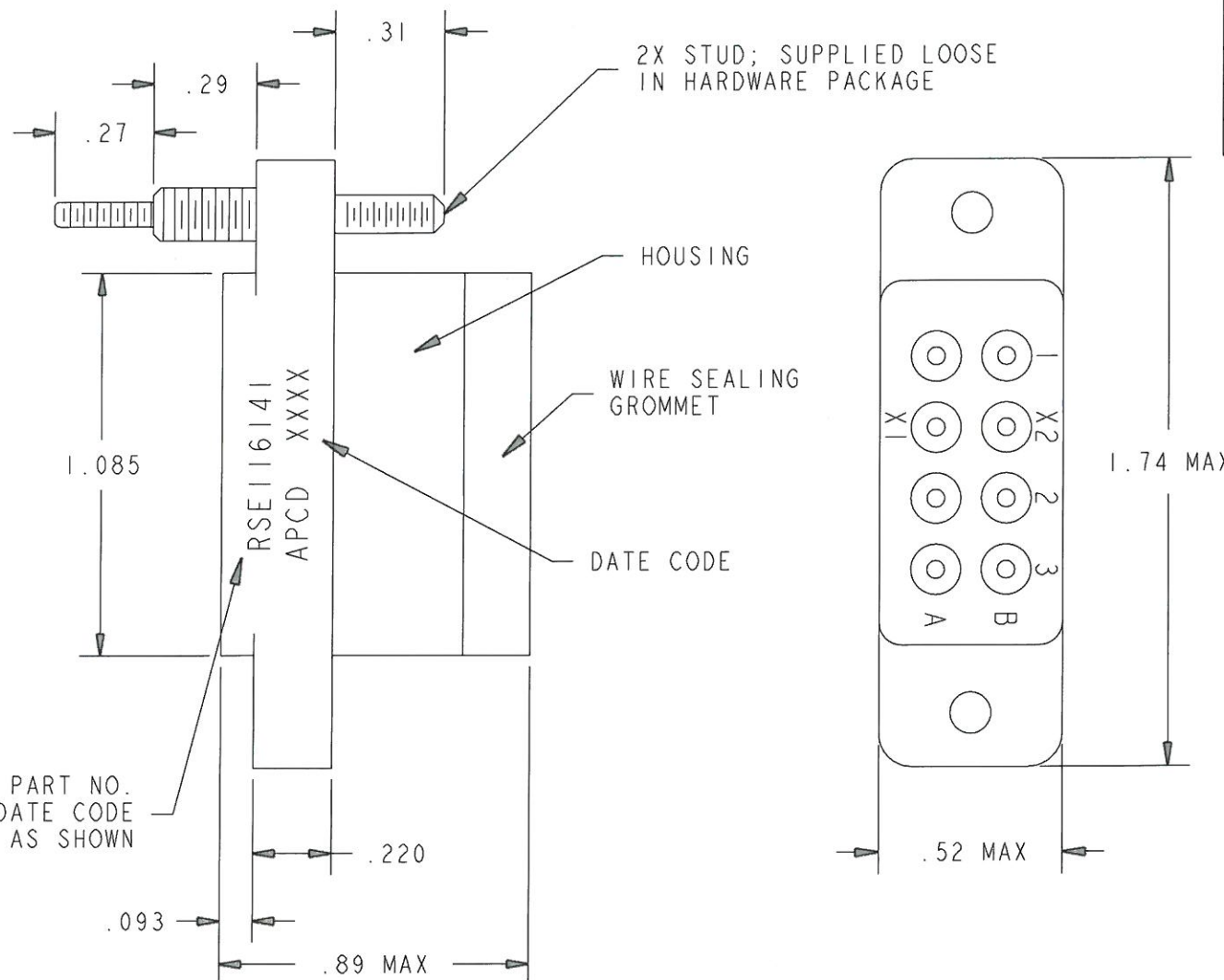
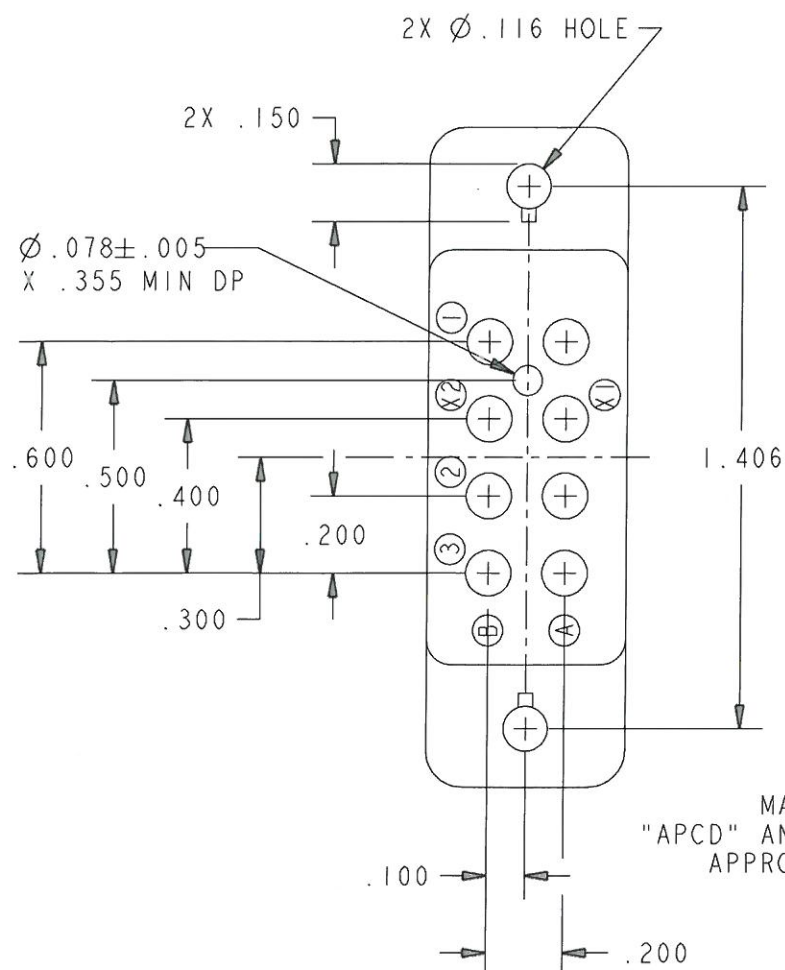


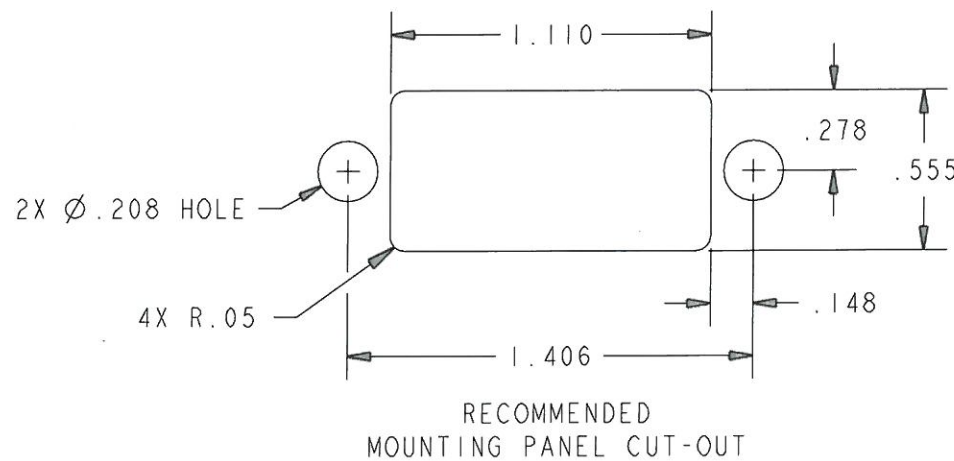
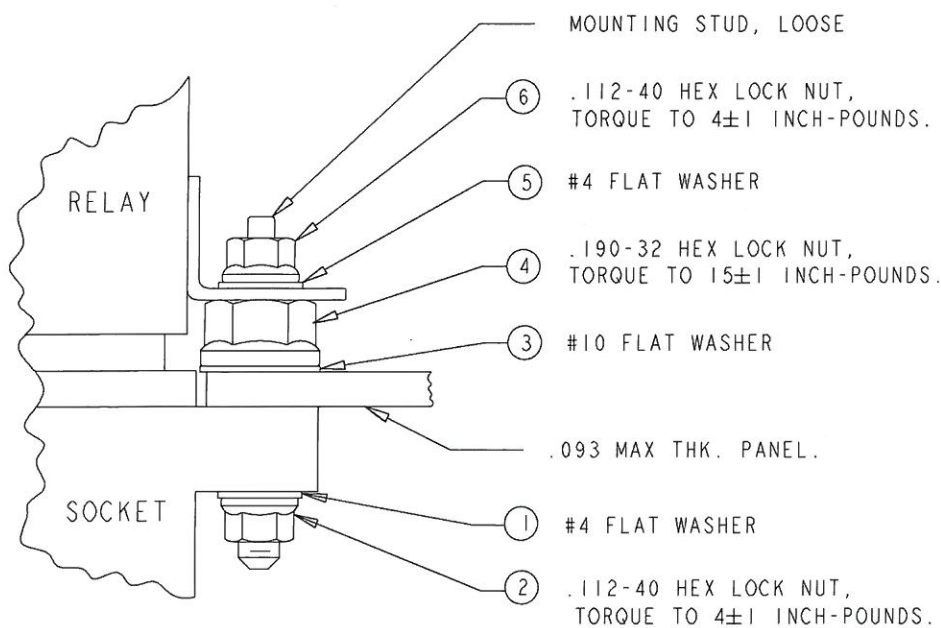
RSE116141

REV	ECN	DESCRIPTION	APP'D
R	6171	CHNG -2901 TO -2951 FLAT WASHER	JT 1-18-08
S	6198	CORRECT HDWR BOM	JT 3-25-08
T	6552	CORRECT STUD; 200001701 TO -7901	JT 7-6-10
U	6792	CHNG HDWR BOM	MD 2/6/12



- NOTES:
- CONFORMS TO PERFORMANCE REQUIREMENTS OF MIL-DTL-12883.
  - MATERIALS:
    - A. HOUSING - POLYETHERIMIDE, COLOR: GREEN.
    - B. GROMMET - SILICONE ELASTOMER, COLOR: RED.
  - SOCKET CONTACTS CONFORM TO PERFORMANCE REQUIREMENTS OF SAE-AS39029, GOLD OVER NICKEL PLATE.
  - COMPLETE MOUNTING HARDWARE SUPPLIED.
  - SOCKET CONTACTS SUPPLIED: (8) SZ 16/16, P/N CNS126900.
  - OPERATING TEMPERATURE: +125°C/-65°C CONTINUOUS.
  - CONTACT INSTALLATION TOOLS:
    - CRIMP TOOL: M22520/1-01
    - POSITIONER: M22520/1-02
    - INSERTION/REMOVAL: M81969/14-03.

MARK PART NO. "APCD" AND DATE CODE APPROX. AS SHOWN



BILL OF MATERIAL		
P/N	DESCRIPTION	QTY
200007901	MTG STUD PSVTD #501	2
20000401	FLT WASHER #4	4
200003801	STL HEX NUT SLF LKG #4-40	4
200002951	FLT WSHR #10	2
200002501	HEX NUT SLF LKG 10-32 MS21042	2
CNS126900	M39029/92-533 CONTACT SZ 16/16	8
005111400	3.5" DRAM UNCAPPED VIAL/CAP	1

**MOUNTING HARDWARE**  
INSTALLATION SEQUENCE BY ITEM NUMBER  
TYP 2 PLACES

DIMENSIONS ANSI Y14.5M UNITS: INCHES ACAD FILE	PROJECTION 	TITLE Amphenol PCD SPECIFICATION DRAWING ENGR A. PATRIE 9/19/97 CHKD APPD <i>M. D. Bin</i> 2/6/12		RELAY SOCKET 8 POS - SIZE 16/16	
ORIGINAL 	THIS DOCUMENT CONTAINS PROPRIETARY INFORMATION WHICH IS THE CONFIDENTIAL PROPERTY OF APCD, INC. BEVERLY, MA, USA	SIZE B	DWG NO. RSE116141	REV U	
		CODE: 58982	SCALE: 2:1	SHEET 1 OF 1	

RSE116141

RSE116141

## X-ON Electronics

Largest Supplier of Electrical and Electronic Components

*Click to view similar products for [Relay Sockets & Fixings](#) category:*

*Click to view products by [Amphenol](#) manufacturer:*

Other Similar products are found below :

[00008258500](#) [00111976502](#) [0000-825-81-00](#) [60SY4S05](#) [M41G](#) [670-0125](#) [670-0127](#) [6700152](#) [670-0153](#) [6700156](#) [D258-2TS00](#) [70-309](#) [7-1393143-3](#) [7-1616360-5](#) [8000-DG2-5](#) [911361](#) [9-1616339-5](#) [PJF11N](#) [GDA12HA](#) [GDA12HD](#) [GDA12SA](#) [GDA12SD](#) [GDA16HD](#) [GDA22HA](#) [GDA95A](#) [GDA95D](#) [GFX20](#) [PT08QN](#) [PT 1/8 D = 3.2](#) [GUA1](#) [GUA2-11](#) [GUA4-04](#) [GUA4-31](#) [GUM5R](#) [GUR-120](#) [GUR-24](#) [GUR-240](#) [GUR-277](#) [GURX-277](#) [GUW12](#) [GUW95](#) [GUZ63L](#) [R99-11 FOR MY\(NAMEPLATE\)](#) [D52PR2T](#) [RES100K](#) [1310H-HDC](#) [1390H-1ST](#) [1393824-3](#) [1390H-2PC](#) [1410-2SM](#)