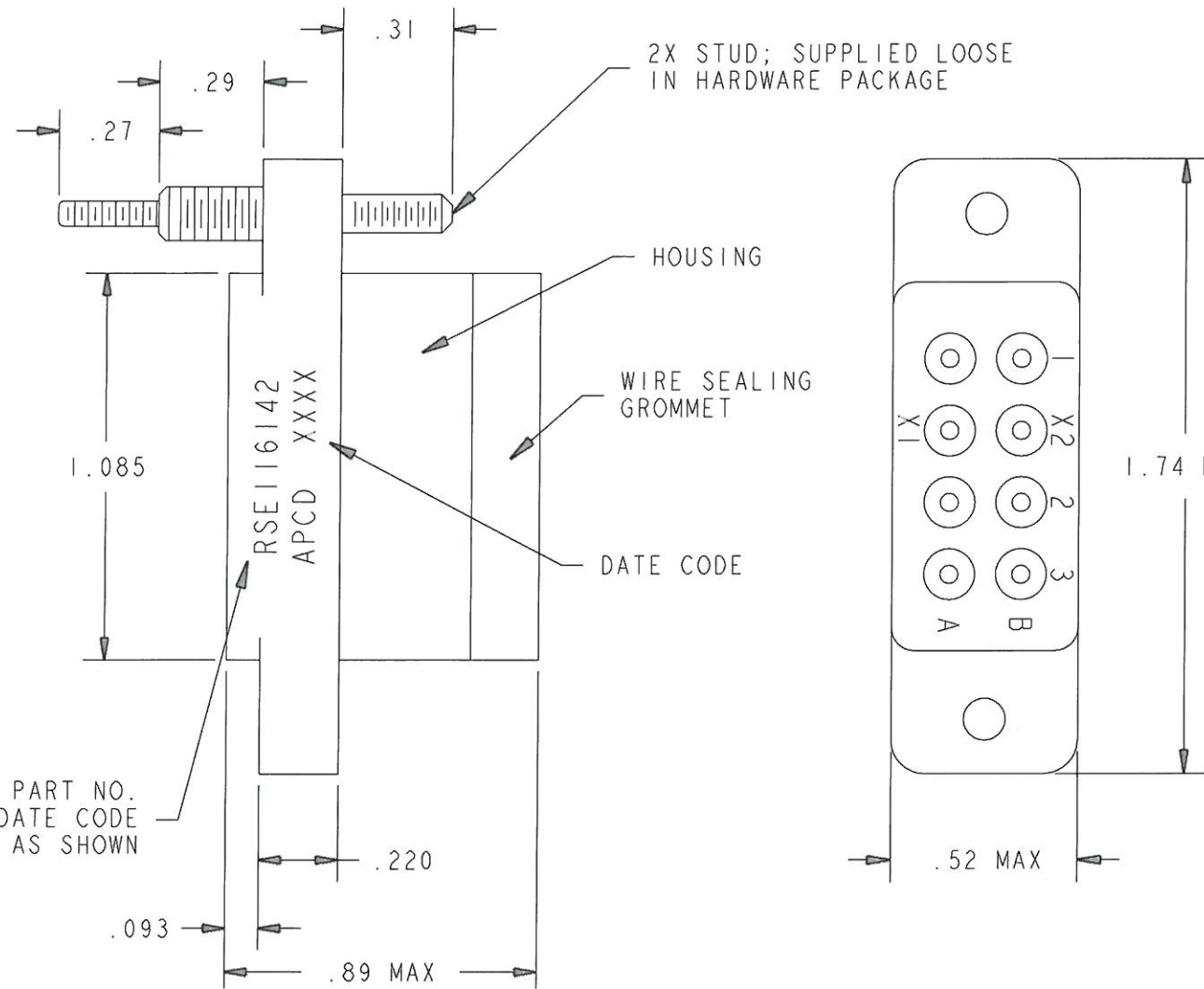
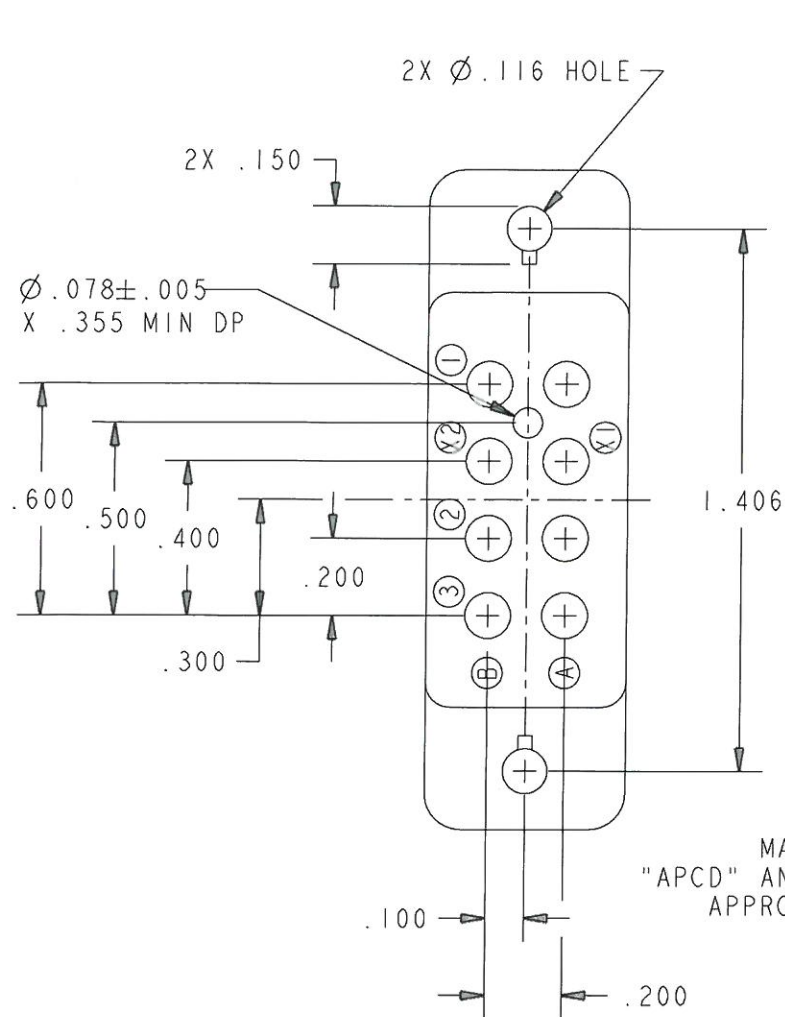


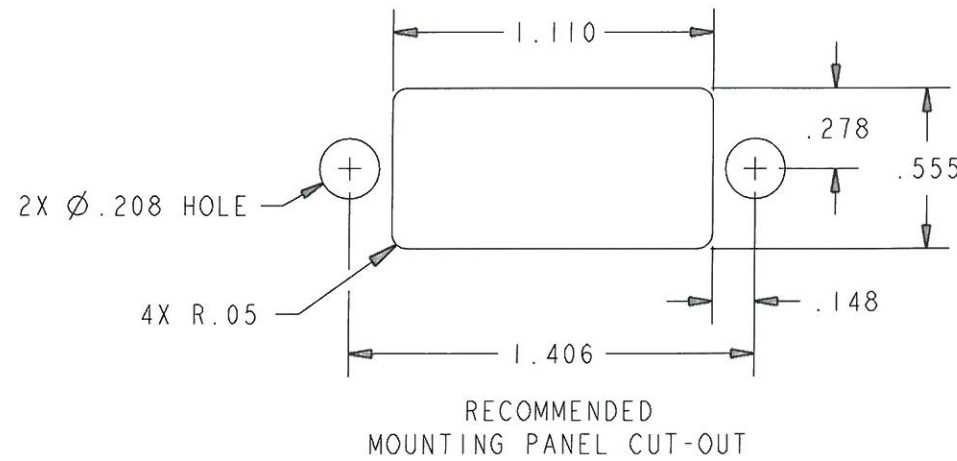
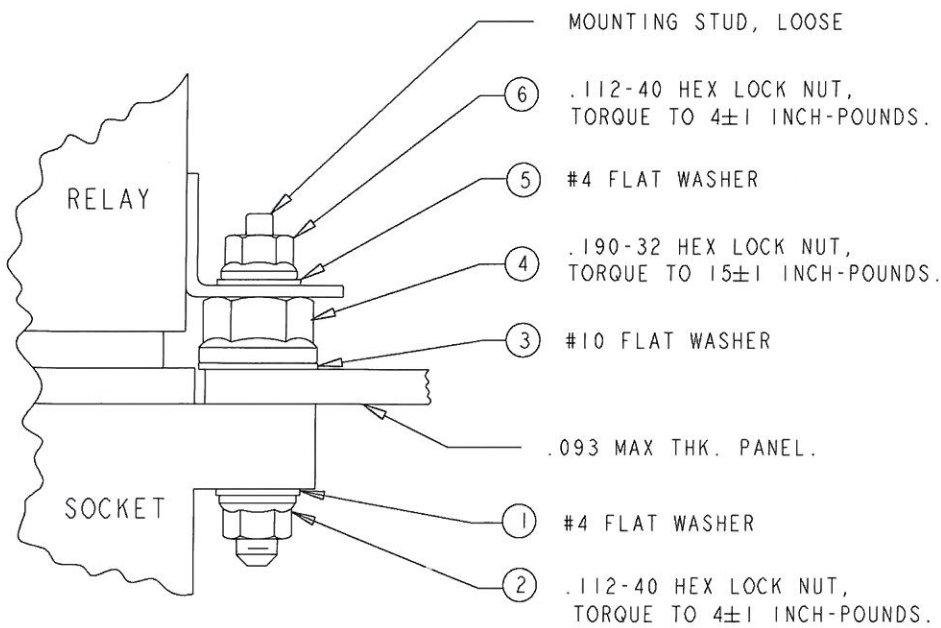
RSE116142

| REV | ECN  | DESCRIPTION                      | APP'D       |
|-----|------|----------------------------------|-------------|
| Q   | 5430 | CORRECT HDWR BOM                 | JT 8-22-04  |
| R   | 6642 | CORRECT STUD; 200001701 TO -7901 | MD 12-13-10 |
| S   | 6792 | CHNG HDWR BOM                    | MD 2/6/12   |



- NOTES:
- CONFORMS TO PERFORMANCE REQUIREMENTS OF MIL-DTL-12883.
  - MATERIALS:
    - A. HOUSING - POLYETHERIMIDE, COLOR: GREEN.
    - B. GROMMET - SILICONE ELASTOMER, COLOR: RED.
  - SOCKET CONTACTS CONFORM TO PERFORMANCE REQUIREMENTS OF SAE-AS39029, GOLD OVER NICKEL PLATE.
  - COMPLETE MOUNTING HARDWARE SUPPLIED.
  - SOCKET CONTACTS SUPPLIED: (8) SZ 16/20, P/N CNS127900.
  - OPERATING TEMPERATURE: +125°C/-65°C CONTINUOUS.
  - CONTACT INSTALLATION TOOLS:
    - CRIMP TOOL: M22520/1-01
    - POSITIONER: M22520/1-02
    - INSERTION/REMOVAL: M81969/14-03.

MARK PART NO. "APCD" AND DATE CODE APPROX. AS SHOWN



| BILL OF MATERIAL |                                |     |
|------------------|--------------------------------|-----|
| P/N              | DESCRIPTION                    | QTY |
| 200007901        | MTG STUD PSVTD #501            | 2   |
| 20000401         | FLT WASHER #4                  | 4   |
| 200003801        | STL HEX NUT SLF LKG #4-40      | 4   |
| 200002951        | FLT WSHR #10                   | 2   |
| 200002501        | HEX NUT SLF LKG 10-32 MS21042  | 2   |
| CNS127900        | M39029/92-534 CONTACT SZ 16/20 | 8   |
| 005111400        | 3.5" DRAM UNCAPPED VIAL/CAP    | 1   |

MOUNTING HARDWARE  
INSTALLATION SEQUENCE BY ITEM NUMBER  
TYP 2 PLACES

|   |  |  |   |                      |              |
|---|--|--|---|----------------------|--------------|
| DIMENSIONS<br>ANSI Y14.5M<br>UNITS: INCHES<br>ACAD FILE | PROJECTION<br>   | Amphenol PCD<br>SPECIFICATION DRAWING<br>ENGR<br>A. PATRIE 9/19/97<br>CHKD<br>APPD <i>[Signature]</i> 2/6/12 | TITLE<br>RELAY SOCKET<br>8 POS - SIZE 16/20 |                      |              |
| ORIGINAL<br>  | THIS DOCUMENT CONTAINS PROPRIETARY INFORMATION WHICH IS THE CONFIDENTIAL PROPERTY OF APCD, INC. BEVERLY, MA, USA |  | SIZE<br>B                                   | DWG NO.<br>RSE116142 | REV<br>S     |
|   |  |  | CODE: 58982                                 | SCALE: 2:1           | SHEET 1 OF 1 |

RSE116142

RSE116142

## X-ON Electronics

Largest Supplier of Electrical and Electronic Components

*Click to view similar products for [Relay Sockets & Fixings](#) category:*

*Click to view products by [Amphenol](#) manufacturer:*

Other Similar products are found below :

[00008258500](#) [00111976502](#) [0000-825-81-00](#) [60SY4S05](#) [M41G](#) [670-0125](#) [670-0127](#) [6700152](#) [670-0153](#) [6700156](#) [D258-2TS00](#) [70-309](#) [7-1393143-3](#) [7-1616360-5](#) [8000-DG2-5](#) [911361](#) [9-1616339-5](#) [PJF11N](#) [GDA12HA](#) [GDA12HD](#) [GDA12SA](#) [GDA12SD](#) [GDA16HD](#) [GDA22HA](#) [GDA95A](#) [GDA95D](#) [GFX20](#) [PT08QN](#) [PT 1/8 D = 3.2](#) [GUA1](#) [GUA2-11](#) [GUA4-04](#) [GUA4-31](#) [GUM5R](#) [GUR-277](#) [GURX-277](#) [GUW12](#) [GUW95](#) [GUZ63L](#) [R99-11 FOR MY\(NAMEPLATE\)](#) [D52PR2T](#) [RES100K](#) [1310H-HDC](#) [1390H-1ST](#) [1393824-3](#) [1390H-2PC](#) [1410-2SM](#) [1410-3SM](#) [1419106-5](#) [RMOB 1-24 JR](#)