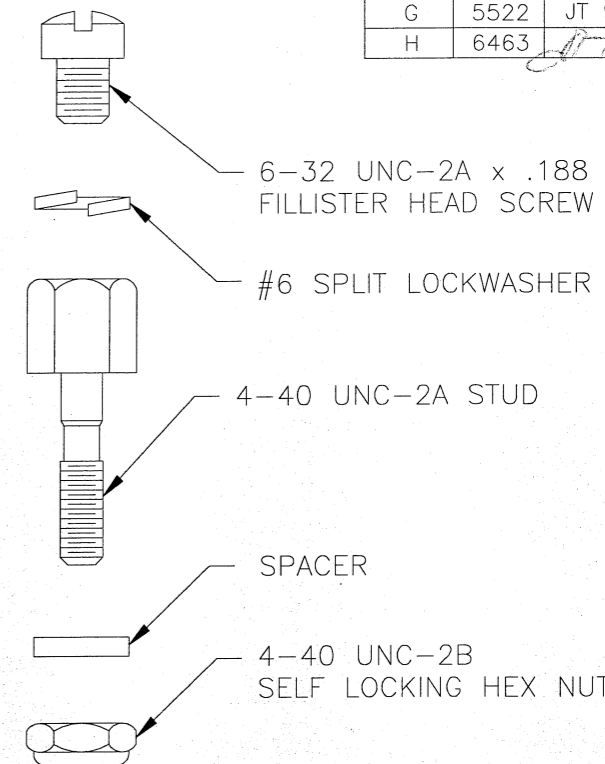
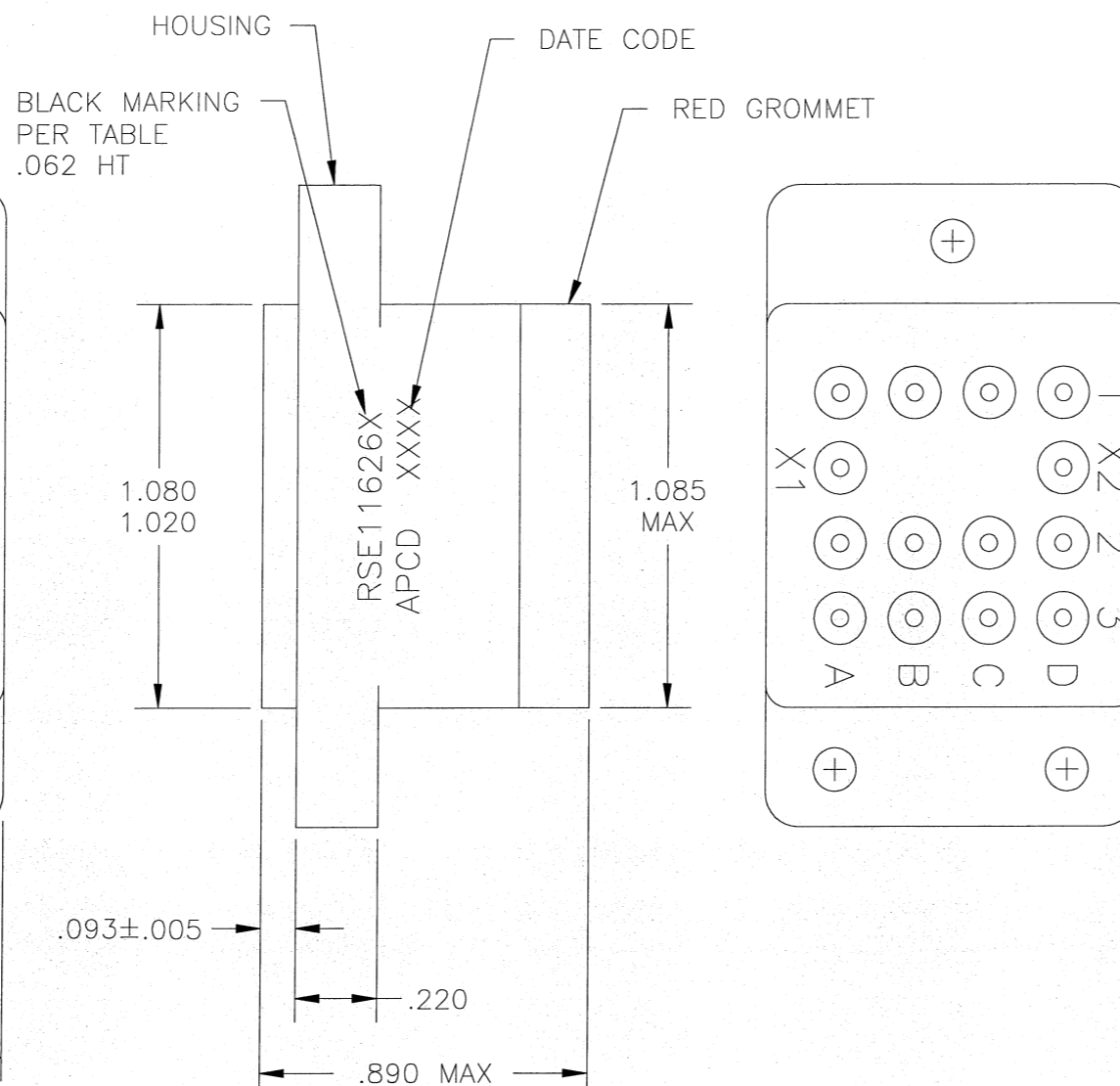
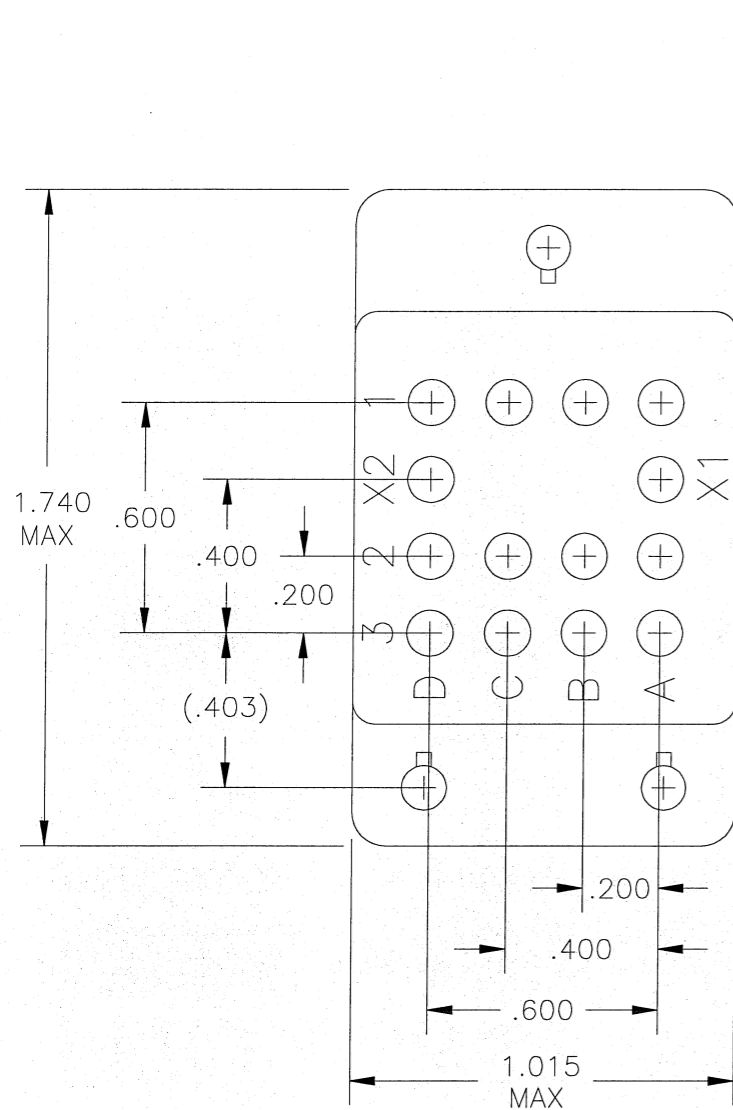
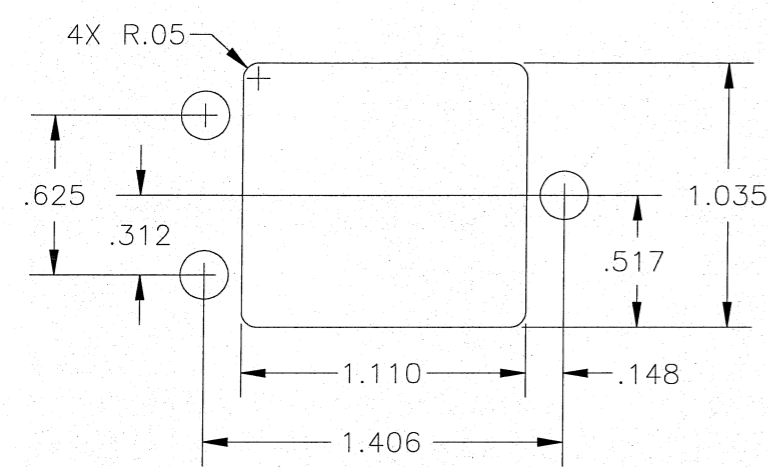


REV	ECN	APP'D
G	5522	JT 9/23/04
H	6463	<i>[Signature]</i>



- NOTES:
- CONFORMS TO PERFORMANCE REQUIREMENTS OF MIL-PRF-12883.
  - MATERIALS:  
 SOCKET BODY: POLYETHERIMIDE PER MIL-P-46184  
 GROMMET: SILICONE RUBBER PER ZZ-R-765  
 HARDWARE: CRES STEEL AND CADMIUM CHROMATE FINISH.  
 CONTACT RETAINERS: BERYLLIUM COPPER  
 SOCKET CONTACTS: COPPER ALLOY, HARD GOLD PLATED PER MIL-G-45204
  - OPERATING RANGE:  
 TEMPERATURE: -65°C TO 125°C  
 INSULATION RESISTANCE: 1000 MEGOHMS MIN.  
 DIELECTRIC WITHSTANDING VOLTAGE:  
 1500 VRMS AT SEA LEVEL,  
 500 VRMS AT 80,000 FT. ALTITUDE  
 VIBRATION: MIL-STD-202, METHOD 204,  
 TEST CONDITION G  
 SHOCK: MIL-STD-202, METHOD 213,  
 TEST CONDITION C
  - PART SUPPLIED WITH MOUNTING HARDWARE.
  - PART SUPPLIED WITH CONTACTS PER TABLE.



PART NO.	CONTACTS SUPPLIED	MARKING
RSE116260	NONE	RSE116260
RSE116261	(14) M39029/92-533	RSE116261
RSE116262	(14) M39029/92-534	RSE116262

DIMENSIONS ANSI Y14.5M UNITS: INCHES ACAD FILE	TOLERANCES .XX ±.01 .XXX ±.005 ANGLES ±2°	PROJECTION 	<b>Amphenol Pcd</b> SPECIFICATION DRAWING		TITLE RELAY SOCKET, 14 POS, SIZE 16	
			ENGR S. KONDO 9/23/04	SIZE B	DWG NO. RSE116260	REV H
ORIGINAL 	THIS DOCUMENT CONTAINS PROPRIETARY INFORMATION WHICH IS THE CONFIDENTIAL PROPERTY OF AMPHENOL PCD INC. PEABODY, MA		CHKD <i>[Signature]</i> 1/8/2010	APPD <i>[Signature]</i> 1/8/2010	CODE: 58982	SCALE: 2X
					SHEET 1 OF 1	

RSE116260

RSE116260

## X-ON Electronics

Largest Supplier of Electrical and Electronic Components

*Click to view similar products for [Relay Sockets & Fixings](#) category:*

*Click to view products by [Amphenol](#) manufacturer:*

Other Similar products are found below :

[00008258500](#) [00111976502](#) [0000-825-81-00](#) [60SY4S05](#) [M41G](#) [670-0125](#) [670-0127](#) [6700152](#) [670-0153](#) [6700156](#) [D258-2TS00](#) [70-309](#) [7-1393143-3](#) [7-1616360-5](#) [8000-DG2-5](#) [911361](#) [9-1616339-5](#) [PJF11N](#) [GDA12HA](#) [GDA12HD](#) [GDA12SA](#) [GDA12SD](#) [GDA16HD](#) [GDA22HA](#) [GDA95A](#) [GDA95D](#) [GFX20](#) [PT08QN](#) [PT 1/8 D = 3.2](#) [GUA1](#) [GUA2-11](#) [GUA4-04](#) [GUA4-31](#) [GUM5R](#) [GUR-277](#) [GURX-277](#) [GUW12](#) [GUW95](#) [GUZ63L](#) [R99-11 FOR MY\(NAMEPLATE\)](#) [D52PR2T](#) [RES100K](#) [1310H-HDC](#) [1390H-1ST](#) [1393824-3](#) [1390H-2PC](#) [1410-2SM](#) [1410-3SM](#) [1419106-5](#) [RMOB 1-24 JR](#)