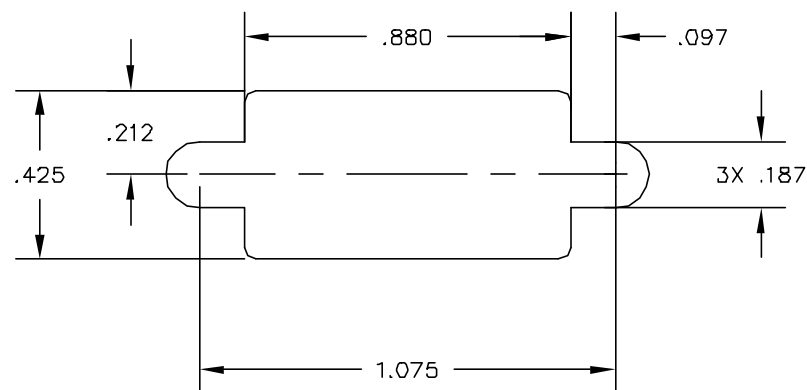
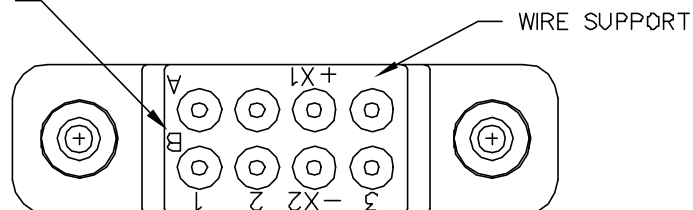
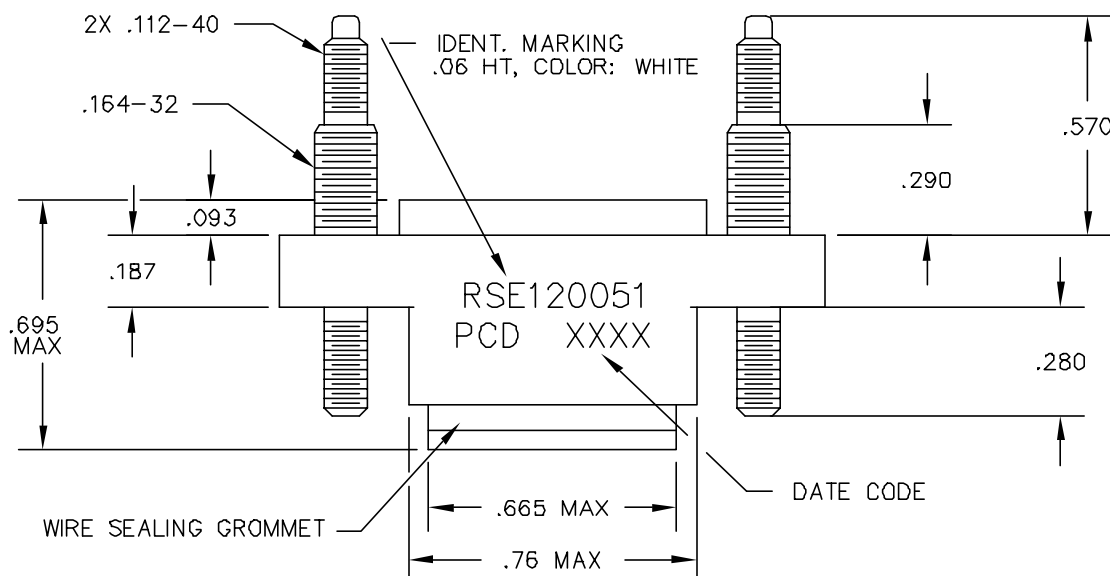
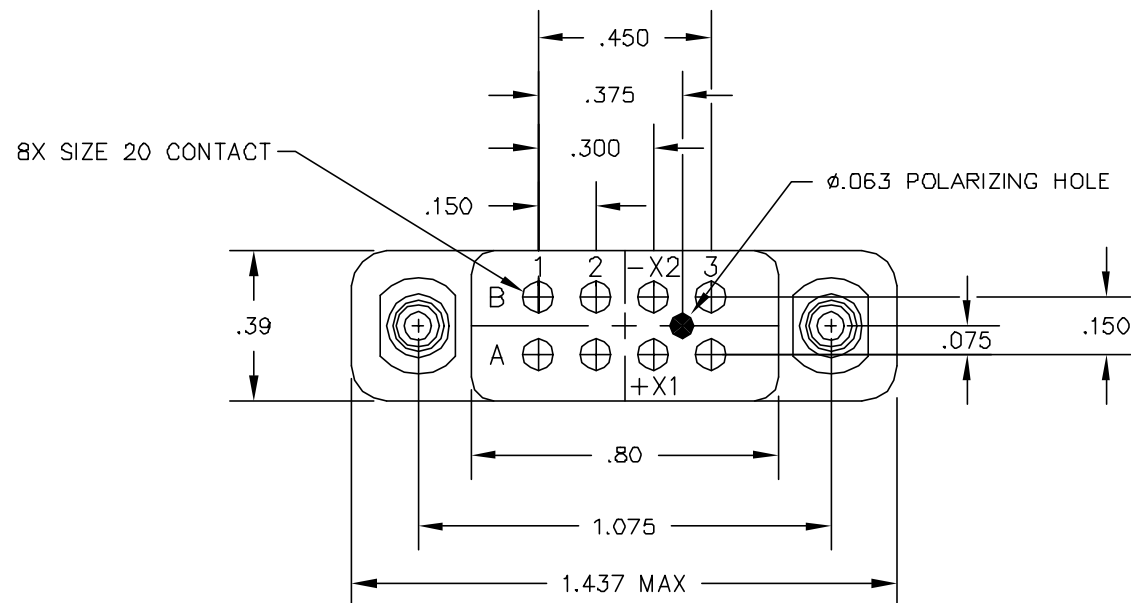
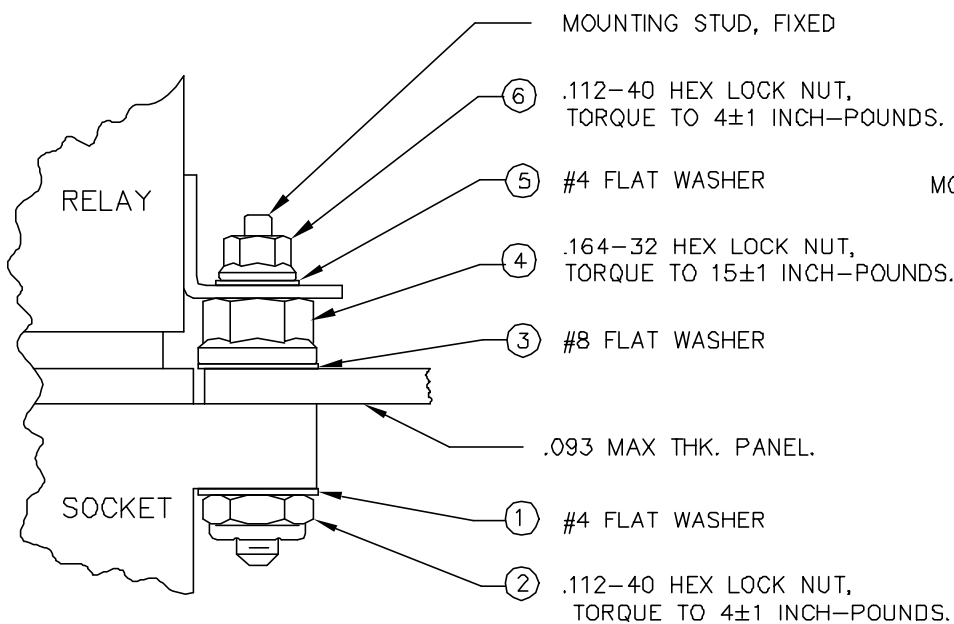


REV	ECN	APP'D
L	3629	
M	5430	
N	5579	

BILL OF MATERIAL		
P/N	DESCRIPTION	QTY
200002701	HEX NUT DLF LKG 4-40 #501	2
200003801	HEX NUT SLF LKG #4-40 #704	2
200001201	HEX NUT SLF-LKG 8-32	2
200002801	FLT WASHER #4 PSVTD #504	2
200004001	FLT WASHER # 8 PSVTD #501	2
200000401	FLT WSHR #4 SPCL #708	2
005111400	3.5"DRAM UNCAPPED VIAL/CAP	1
CNS070900	M39029/22-192 CONTACT SZ20/20	8



RECOMMENDED MOUNTING PANEL HOLE



MOUNTING HARDWARE

INSTALLATION SEQUENCE BY ITEM NUMBER  
TYP 2 PLACES

NOTES:

- CONFORMS TO PERFORMANCE REQUIREMENTS OF MIL-S-12883.
- MATERIALS:
  - A. HOUSING AND WIRE SUPPORT- POLYETHERIMIDE, COLOR: BLUE-GREEN.
  - B. GROMMET - SILICONE ELASTOMER, COLOR: RED.
- COMPLETE MOUNTING HARDWARE SUPPLIED.
- SOCKET CONTACTS SUPPLIED: (8) SZ 20/20, P/N CNS070900.
- OPERATING TEMPERATURE: +125°C/-65°C CONTINUOUS.
- CONTACT INSTALLATION TOOLS:
  - CRIMP TOOL: M22520/7-01
  - POSITIONER: M22520/7-12
  - INSERTION/REMOVAL: M81969/16-01.

DIMENSIONS	TOLERANCES	PROJECTION	SPECIFICATION DRAWING	TITLE		
ANSI Y14.5M UNITS: INCHES ACAD FILE	.XX ±.01 .XXX ±.005 ANGLES ±2°		ENGR A. PATRIE 8/13/97	RELAY SOCKET 2 POLE, 5 AMP 8 POS, SIZE 20		
ORIGINAL	THIS DOCUMENT CONTAINS PROPRIETARY INFORMATION WHICH IS THE CONFIDENTIAL PROPERTY OF PCD, INC. PEABODY, MA, USA	CHKD J. RUTKOWSKI 8/13/97	SIZE B	DWG NO. RSE120051	REV N	
		APPD J.E. CAHALY 8/14/97	CODE: 58982	SCALE: 2X	SHEET 1 OF 1	

## X-ON Electronics

Largest Supplier of Electrical and Electronic Components

*Click to view similar products for [Relay Sockets & Fixings](#) category:*

*Click to view products by [Amphenol](#) manufacturer:*

Other Similar products are found below :

[00008258500](#) [00111976502](#) [0000-825-81-00](#) [60SY4S05](#) [M41G](#) [670-0125](#) [670-0127](#) [6700152](#) [670-0153](#) [6700156](#) [D258-2TS00](#) [70-309](#) [7-1393143-3](#) [7-1616360-5](#) [8000-DG2-5](#) [911361](#) [9-1616339-5](#) [PJF11N](#) [GDA12HA](#) [GDA12HD](#) [GDA12SA](#) [GDA12SD](#) [GDA16HD](#) [GDA22HA](#) [GDA95A](#) [GDA95D](#) [GFX20](#) [PT08QN](#) [PT 1/8 D = 3.2](#) [GUA1](#) [GUA2-11](#) [GUA4-04](#) [GUA4-31](#) [GUM5R](#) [GUR-120](#) [GUR-24](#) [GUR-240](#) [GUR-277](#) [GURX-277](#) [GUW12](#) [GUW95](#) [GUZ63L](#) [R99-11 FOR MY\(NAMEPLATE\)](#) [D52PR2T](#) [RES100K](#) [1310H-HDC](#) [1390H-1ST](#) [1393824-3](#) [1390H-2PC](#) [1410-2SM](#)