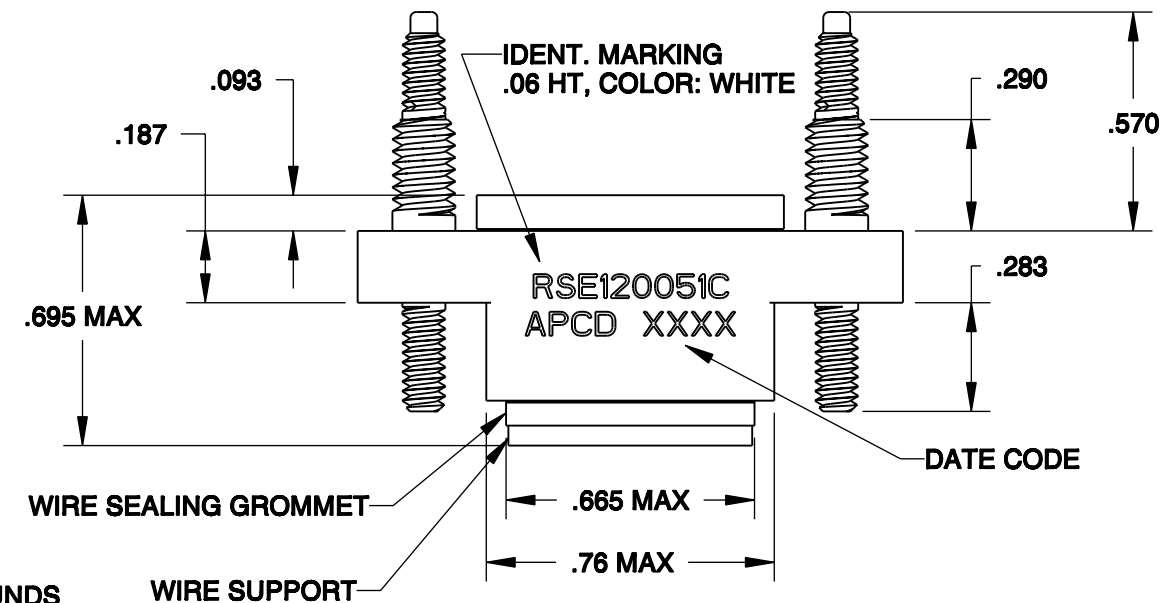
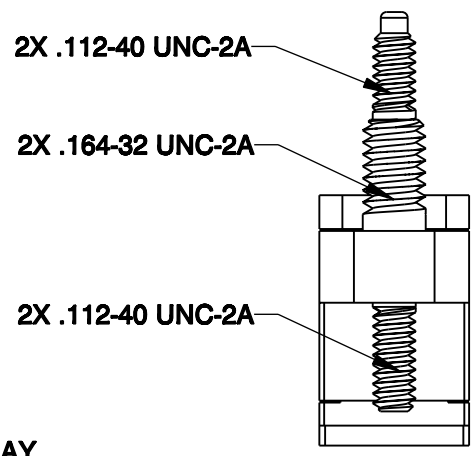
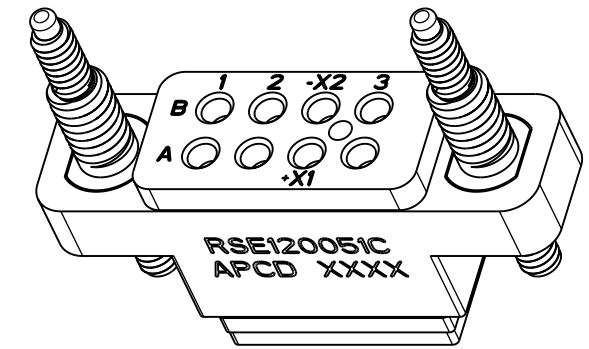
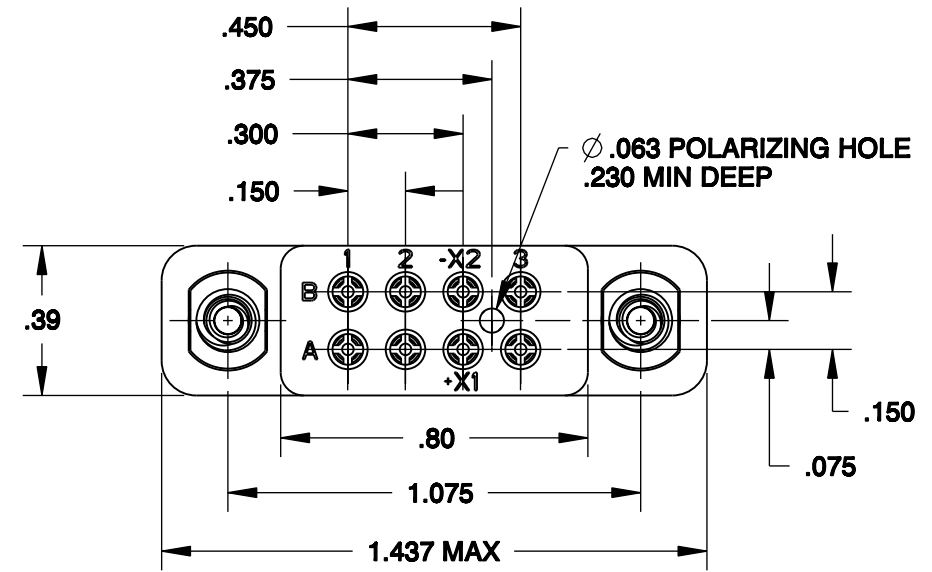
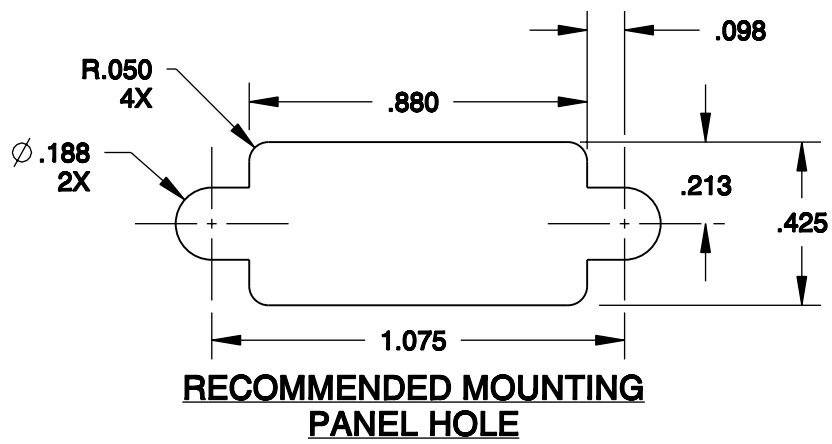


RSE120051C

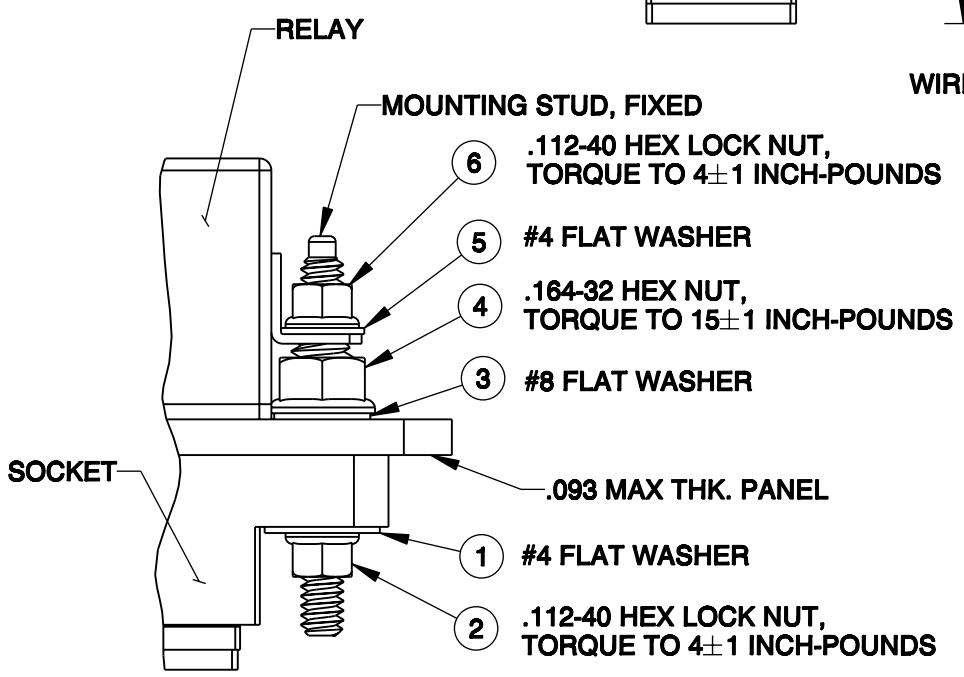
REV	ECN	APP'D
-	3709	JC 3/26/99
A	5252	JT 6/5/03
B	5460	JT 5/24/04
C	5579	JT 01/06/05
D	5582	



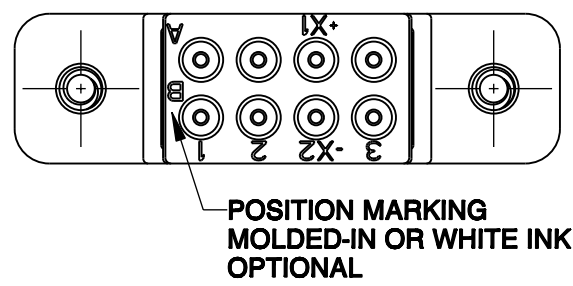
- NOTES:**
- CONFORMS TO PERFORMANCE REQUIREMENTS OF MIL-S-12883.
  - MATERIALS:**  
HOUSING AND WIRE SUPPORT: POLYETHERIMIDE  
COLOR: BLUE-GREEN  
GROMMET: SILICONE ELASTOMER, COLOR: RED
  - COMPLETE MOUNTING HARDWARE SUPPLIED PER TABLE.
  - SOCKET CONTACTS SUPPLIED PER TABLE.
  - OPERATING TEMPERATURE: +125° C / -65° C CONTINUOUS.
  - CONTACT INSTALLATION TOOLS:  
CRIMP TOOL: M22520/7-01  
POSITIONER: M22520/7-12  
INSERTION/REMOVAL: M81969/16-01

RSE120051C

RSE120051C



**MOUNTING HARDWARE  
INSTALLATION SWQUENCE BY ITEM NUMBER  
TYP 2 PLACES**



BILL OF MATERIALS		
APCD P/N	DESCRIPTION	QTY.
200003801	HEX NT SLF-LCKG 4-40 #704	4
200000401	FLT WSHR #4 SPCL #706	2
200007201	HEX NUT SLF-LCKG #8-32	2
200004001	FLT WSHR #8 PSVTD #501	2
200002801	FLT WSHR #4 PSTVD #504	2
CNS101553	M39029/101-553 CONTACT SZ20/20	8

<b>DIMENSIONS</b> ANSI Y14.5M UNITS: INCHES Pro/E FILE	<b>TOLERANCES</b> .XX ±0.01 .XXX ±0.005 ANGLES ±2.0°	<b>PROJECTION</b> 	<b>Amphenol Pcd</b> SPECIFICATION DRAWING ENGR A. PATRIE 03/25/99 CHKD J. RUTKOWSKI APPD J. TON 06/05/03
ORIGINAL	THIS DOCUMENT CONTAINS PROPRIETARY INFORMATION WHICH IS THE CONFIDENTIAL PROPERTY OF PCD, INC. PEABODY, MA, USA		

TITLE <b>RELAY SOCKET, EMBRAER, 2- POLE, 8 POSITION, 5-AMP, SIZE 20</b>			
SIZE <b>B</b>	DWG NO. <b>RSE120051C</b>	REV <b>D</b>	
CODE: 58982	SCALE: 2:1	SHEET 1 OF 1	

## X-ON Electronics

Largest Supplier of Electrical and Electronic Components

*Click to view similar products for [Relay Sockets & Fixings](#) category:*

*Click to view products by [Amphenol](#) manufacturer:*

Other Similar products are found below :

[00008258500](#) [00111976502](#) [0000-825-81-00](#) [60SY4S05](#) [M41G](#) [670-0125](#) [670-0127](#) [6700152](#) [670-0153](#) [6700156](#) [D258-2TS00](#) [70-309](#) [7-1393143-3](#) [7-1616360-5](#) [8000-DG2-5](#) [911361](#) [9-1616339-5](#) [PJF11N](#) [GDA12HA](#) [GDA12HD](#) [GDA12SA](#) [GDA12SD](#) [GDA16HD](#) [GDA22HA](#) [GDA95A](#) [GDA95D](#) [GFX20](#) [PT08QN](#) [PT 1/8 D = 3.2](#) [GUA1](#) [GUA2-11](#) [GUA4-04](#) [GUA4-31](#) [GUM5R](#) [GUR-120](#) [GUR-24](#) [GUR-240](#) [GUR-277](#) [GURX-277](#) [GUW12](#) [GUW95](#) [GUZ63L](#) [R99-11 FOR MY\(NAMEPLATE\)](#) [D52PR2T](#) [RES100K](#) [1310H-HDC](#) [1390H-1ST](#) [1393824-3](#) [1390H-2PC](#) [1410-2SM](#)