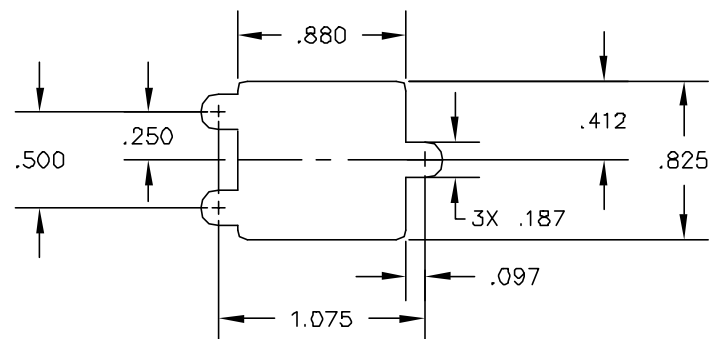
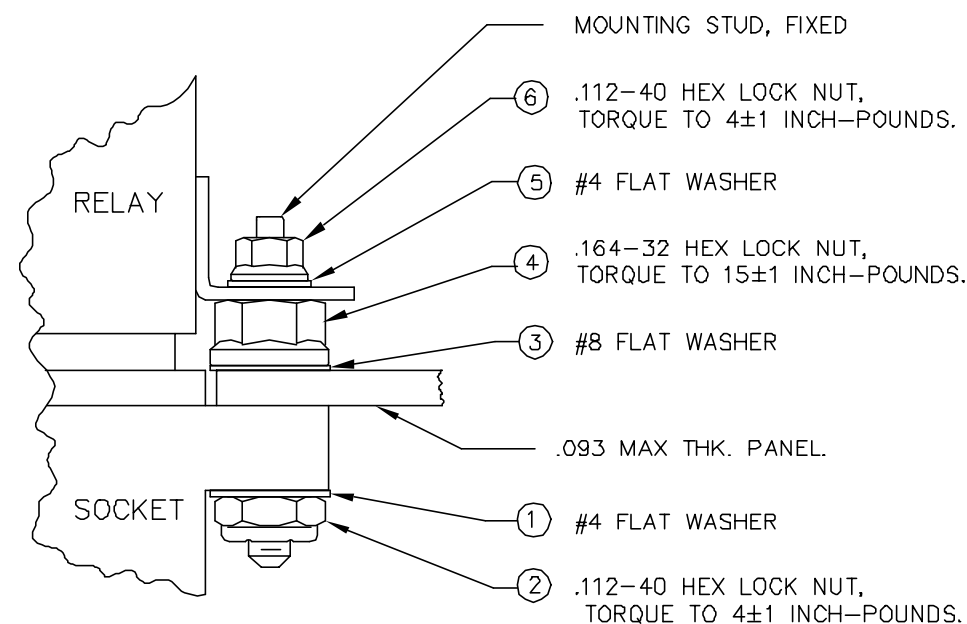
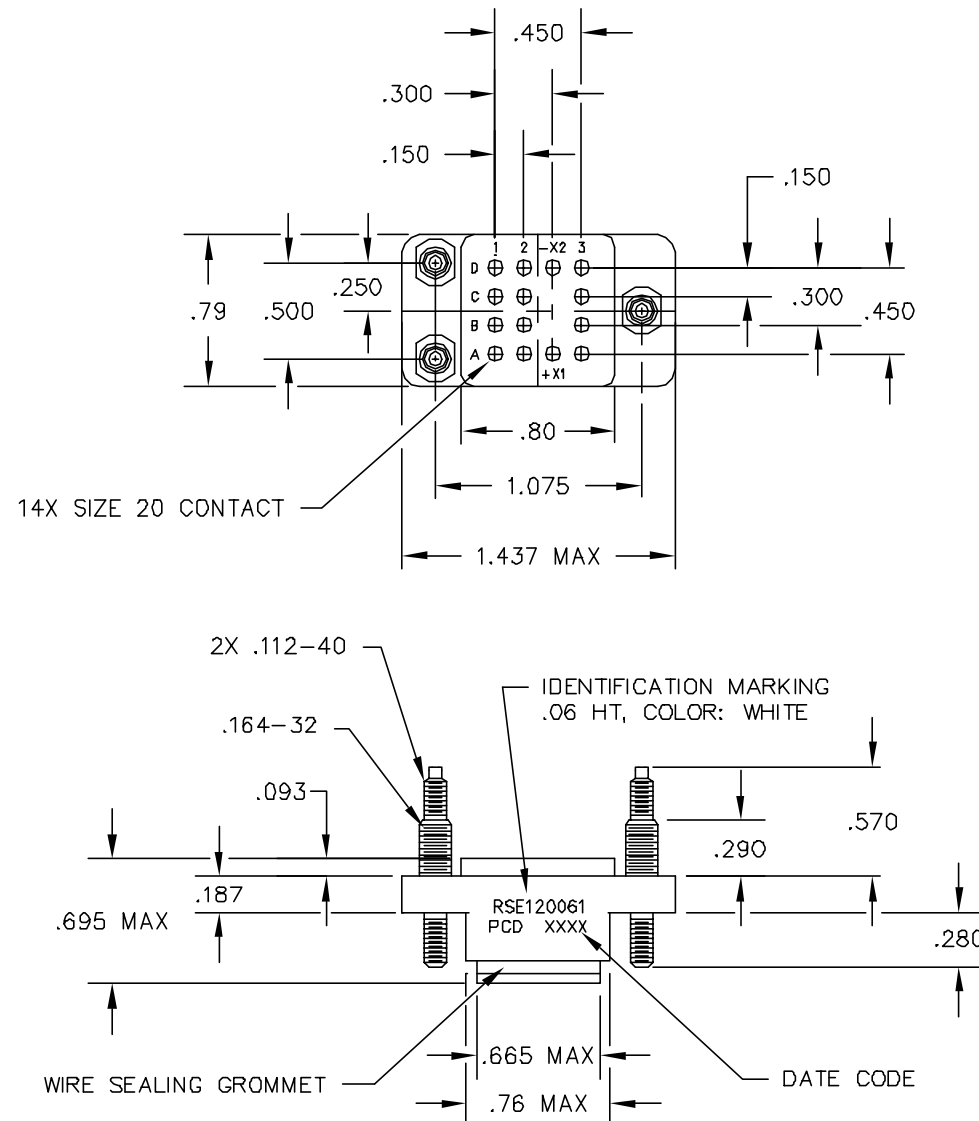


REV	ECN	APP'D
N	5430	JT 8/22/04
P	5579	

BILL OF MATERIAL		
P/N	DESCRIPTION	QTY
200002701	HEX NUT, SELF LOCKING, 4-40 UNC-2B, #501	3
200003801	HEX NUT, SELF LOCKING, 4-40 UNC-2B, #704	3
200001201	HEX NUT, SELF LOCKING, 8-32 UNC-2B	3
200002801	FLAT WASHER, #4, PSVTD, #504	3
200004001	FLAT WASHER, #8, PSVTD, #501	3
200000401	FLAT WASHER, #4, SPCL, #708	3
005111400	3.5" DRAM, UNCAPPED, VIAL/CAP	1
CNS070900	M39027/22-192 CONTACT, SZ20/20	14



RECOMMENDED MOUNTING PANEL HOLE



MOUNTING HARDWARE

INSTALLATION SEQUENCE BY ITEM NUMBER
TYP 3 PLACES

NOTES:

- CONFORMS TO PERFORMANCE REQUIREMENTS OF MIL-S-12883.
- MATERIALS:
 - A. HOUSING AND WIRE SUPPORT- POLYETHERIMIDE, COLOR: GREEN.
 - B. GROMMET - SILICONE ELASTOMER, COLOR: RED.
- COMPLETE MOUNTING HARDWARE SUPPLIED.
- SOCKET CONTACTS SUPPLIED: (14) SZ 20/20, P/N CNS070900.
- OPERATING TEMPERATURE: +125°C/-65°C CONTINUOUS.
- CONTACT INSTALLATION TOOLS:
 - CRIMP TOOL: M22520/7-01
 - POSITIONER: M22520/7-12
 - INSERTION/REMOVAL: M81969/16-01.

DIMENSIONS ANSI Y14.5M UNITS: INCHES ACAD FILE	TOLERANCES .XX ±.01 .XXX ±.005 ANGLES ±2°	PROJECTION 	Amphenol Pcd SPECIFICATION DRAWING ENGR A. PATRIE 8/13/97	TITLE RELAY SOCKET 4 POLE, 5 AMP, 14 POS, SZ 20		
ORIGINAL	THIS DOCUMENT CONTAINS PROPRIETARY INFORMATION WHICH IS THE CONFIDENTIAL PROPERTY OF AMPHENOL PCD INC. PEABODY, MA	CHKD J. RUTKOWSKI 8/13/97	SIZE B	DWG NO. RSE120061	REV P	
		APPD J.E. CAHALY 8/14/97	CODE: 58982	SCALE: 1X	SHEET 1 OF 1	

RSE120061

RSE120061

X-ON Electronics

Largest Supplier of Electrical and Electronic Components

Click to view similar products for [Relay Sockets & Hardware](#) category:

Click to view products by [Amphenol](#) manufacturer:

Other Similar products are found below :

[7-1393143-3](#) [7-1616347-8](#) [7-1616350-5](#) [8-1616360-0](#) [8-1616360-6](#) [9-1616339-5](#) [9-1616358-1](#) [9-1616359-7](#) [9-1616360-2](#) [PLC-10](#) [PT08QN](#)
[PT 1/8 D = 3.2](#) [12082001](#) [R99-11 FOR MY\(NAMEPLATE\)](#) [RES100K](#) [1393824-3](#) [13900001](#) [1415526-1](#) [1419106-5](#) [1423683-1](#) [1415037-1](#)
[14486001](#) [1423685-1](#) [MS-24H](#) [16-1328](#) [1616339-8](#) [MT78N60](#) [17540001](#) [20584002](#) [20C419](#) [2-1393102-4](#) [2-1419106-9](#) [2-1608090-1](#)
[P70A AC100/110](#) [PB-4H](#) [21B212](#) [RSE120027](#) [9-1616337-0](#) [9-1616337-6](#) [9-1616358-3](#) [27E1038](#) [27E448](#) [S82Y-RN](#) [2944533](#) [LMC-1](#) [16-](#)
[1340](#) [16154040](#) [1618065-7](#) [9P40X1](#) [17891020](#)