

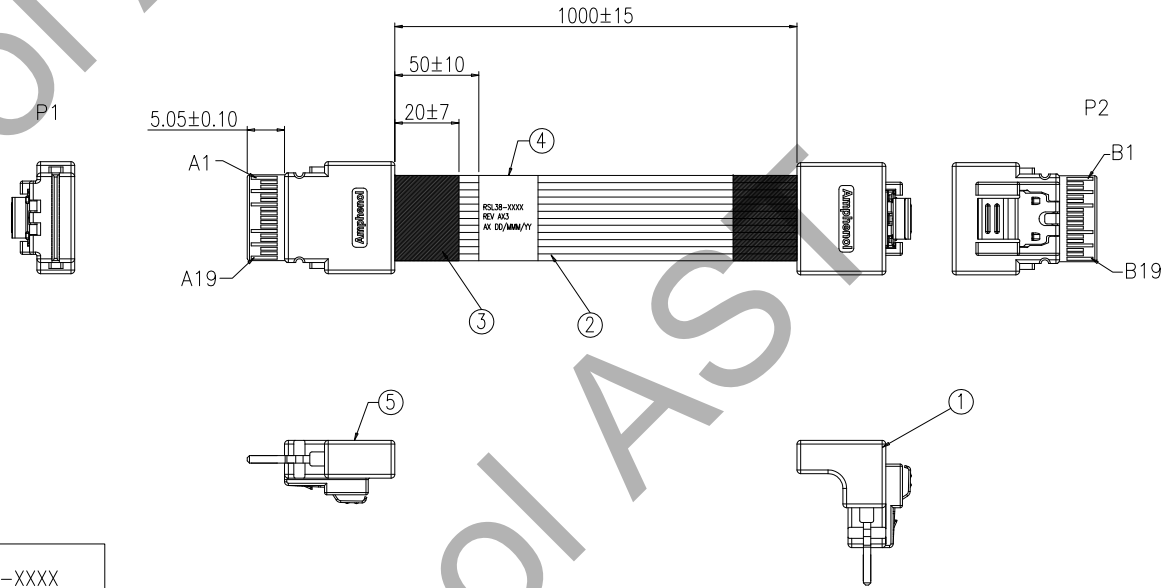
The marking on this product doesn't contain environmental hazardous materials per directive 2011/65/EU for RoHS compliance.

| ECN NO. | REV. | DESCRIPTIONS | CHECKED | APPROVED | DATE |
|---------|------|---------------------|---------|----------|------------|
| REL. | AX1 | INITIAL RELEASE | WONDER | DAVID | 08/13/2014 |
| | AX2 | MODIFY OVERMOLD | WONDER | DAVID | 02/06/2015 |
| | AX3 | MODIFY WIRE DIAGRAM | WONDER | DAVID | 11/23/2015 |

NOTE:
1.THE PIN ALLOCATION ONLY FOR REFERENCE
2.MEET SAS4.0 SPECIFICATION

WIRE DIAGRAM

| P1 | | P2 | |
|-----|------|-----|------|
| B19 | GRND | A19 | GRND |
| B18 | TX3- | A18 | RX3- |
| B17 | TX3+ | A17 | RX3+ |
| B16 | GRND | A16 | GRND |
| B15 | TX2- | A15 | RX2- |
| B14 | TX2+ | A14 | RX2+ |
| B13 | GRND | A13 | GRND |
| B12 | SB 6 | A12 | SB 6 |
| B11 | SB 2 | A11 | SB 2 |
| B10 | SB 8 | A10 | SB 8 |
| B9 | SB 1 | A9 | SB 1 |
| B8 | SB 0 | A8 | SB 0 |
| B7 | GRND | A7 | GRND |
| B6 | TX1- | A6 | RX1- |
| B5 | TX1+ | A5 | RX1+ |
| B4 | GRND | A4 | GRND |
| B3 | TX0- | A3 | RX0- |
| B2 | TX0+ | A2 | RX0+ |
| B1 | GRND | A1 | GRND |
| A19 | GRND | B19 | GRND |
| A18 | RX3- | B18 | TX3- |
| A17 | RX3+ | B17 | TX3+ |
| A16 | GRND | B16 | GRND |
| A15 | RX2- | B15 | TX2- |
| A14 | RX2+ | B14 | TX2+ |
| A13 | GRND | B13 | GRND |
| A12 | SB 5 | B12 | SB 5 |
| A11 | SB 4 | B11 | SB 4 |
| A10 | SB 9 | B10 | SB 9 |
| A9 | SB 3 | B9 | SB 3 |
| A8 | SB 7 | B8 | SB 7 |
| A7 | GRND | B7 | GRND |
| A6 | RX1- | B6 | TX1+ |
| A5 | RX1+ | B5 | TX1- |
| A4 | GRND | B4 | GRND |
| A3 | RX0- | B3 | TX0+ |
| A2 | RX0+ | B2 | TX0- |
| A1 | GRND | B1 | GRND |



RSL38-XXXX
REV AX3
AX DD/MMM/YY

DETAIL LABEL

| 5 | SFF8654-0038-003 | X4 SlimLime 38PIN STRAIGHT PLUG | A/R |
|------|------------------|---|-----|
| 4 | HMLSB57262 | LABEL:57*26MM,BLANK,WHT,R2,HF | 1 |
| 3 | HMMTP00011 | TAPE:ACETATE CLOTH INSULATION,19MM,BLK | A/R |
| 2 | RWSS300054 | SAS CBL:UL20744,30#2P+30#5C+30#2P,BLU,850HM | A/R |
| 1 | SFF8654-0038-003 | X4 SlimLime 38PIN RIGHT ANGLE PLUG | A/R |
| ITEM | P/N | DESCRIPTION | QTY |

| GENERAL TOLERANCES | | DRAWN: | | DATE: | |
|--------------------|--------|-----------|-------------|------------|------------|
| .X: | ± 0.25 | Bob Tang | | 11/23/2015 | |
| .XX: | ± 0.15 | CHECKED: | WONDER WANG | DATE: | 11/23/2015 |
| .XXX: | ± | APPROVED: | DAVID CHAN | DATE: | 11/23/2015 |
| ANGULAR: | ± | | | | |

Amphenol
ASSEMBLETECH Co. LTD.

| | |
|--|--------------|
| TITLE: SLIMSAS 4i PLUG STR TO RA CABLE ASSEMBLY | |
| DWG. No.: RSL38-XXXX | SCALE: 1:1 |
| UNIT: MM | SHEET 1 OF 1 |
| | REV.: AX3 |

X-ON Electronics

Largest Supplier of Electrical and Electronic Components

Click to view similar products for [Computer Cables](#) category:

Click to view products by [Amphenol](#) manufacturer:

Other Similar products are found below :

[68809-0004](#) [8F36-AAA105-1.00](#) [IB63](#) [CB-716EB-RS](#) [CB-716P8P9-RS](#) [CBK-11-290K-00](#) [ACL-10550](#) [ACL-10568-2](#) [ACL-10568-5](#)
[427522400-3](#) [32102-021500-200-RS](#) [426091300-3](#) [48000023](#) [10114976-P015002LF](#) [88761-6101](#) [NT631C-CN321-EU](#) [ACL-10568NF-1](#)
[MIKROE-2092](#) [PCL-101100R-2E](#) [1700009405](#) [PS/2 Cable](#) [NT31C-CN323-EU](#) [FWAX-PK1-51](#) [PCL-10168H-1E](#) [68801-1905](#) [111068-1015](#)
[100436-1107](#) [68801-0630](#) [68801-3612](#) [68801-3618](#) [205058-1002](#) [PS2NK](#) [SATA cable](#) [96021-0000-00-0](#) [FAK-SMZSMZ 5M](#) [FAK-](#)
[SMZSMZ-3M](#) [ACC-500-200-R](#) [iW-C40-PCIe08-C1](#) [1700001531](#) [96048-0000-00-0](#) [SATA III cable 30cm, down/straight](#) [cab-Pico-ITX-](#)
[LVDS](#) [PCL-101100SB-2E](#) [AXXSTCBLQAT](#) [NT31C-KBA05](#) [PCL-101100M-2E](#) [A2U4PSWCXCXK1](#) [2 port SATA to 5 pin,L=200mm](#)
[ACL-10568NF-2](#) [C-PS2WG/5](#)